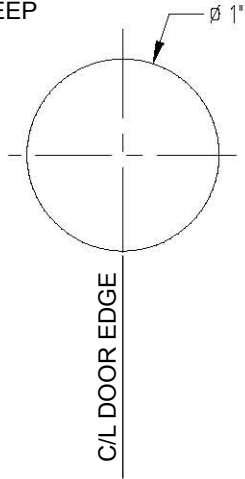
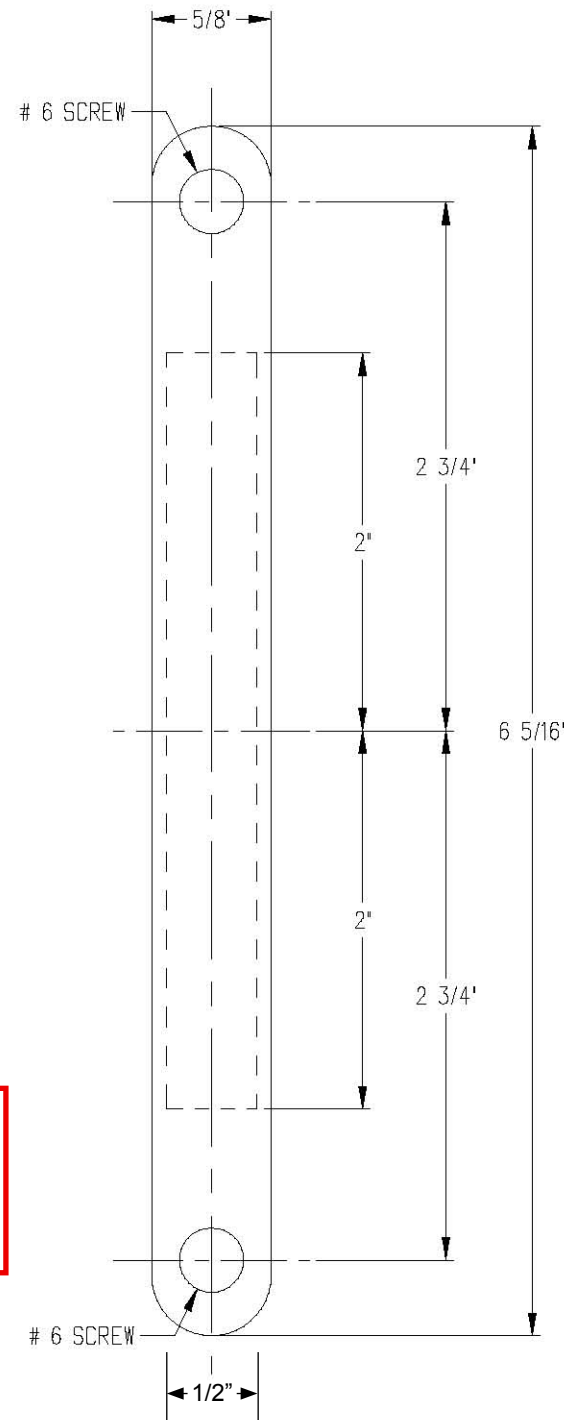
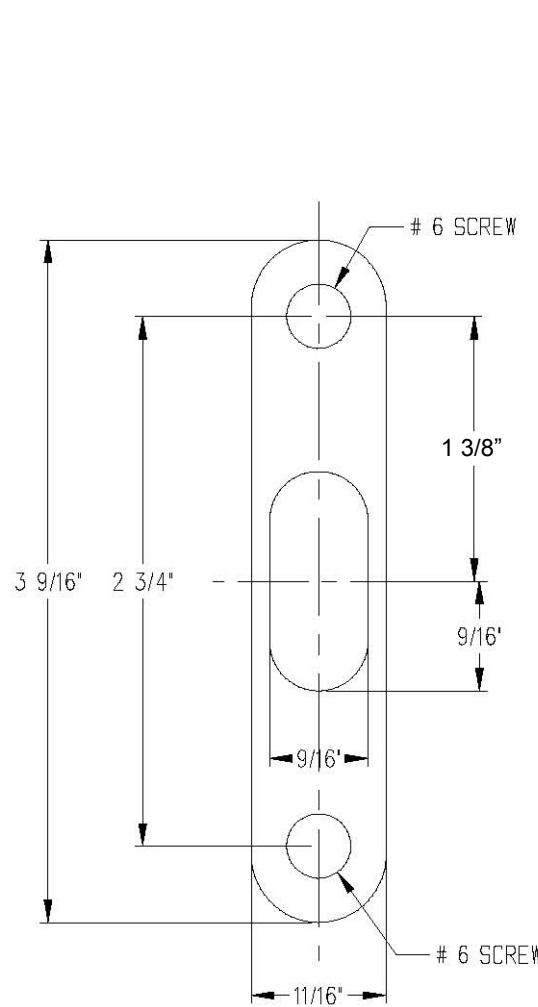
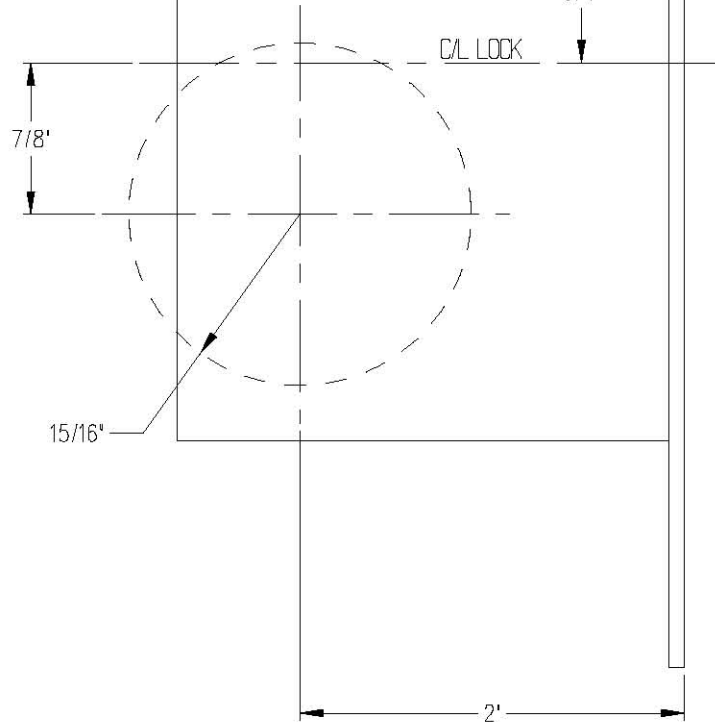


# INSTALLATION TEMPLATE FOR OMNIA #3910 & #3911 POCKET DOOR LOCK

DOOR EDGE FINGER PULL  
1" DIA. 7/8" DEEP



POCKET TRIM  
MORTISE TRIM SIDE  
1 7/8" DIA. HOLE 7/8"  
BELOW LOCK C/L



LOCK CASE  
MORTISE 1/2" WIDE  
X 4" HIGH X 2 3/4" DEEP  
POCKET FOR LOCK CASE

LOCK FACEPLATE  
5/8" DIA. X 3/32" DEEP  
X 6 5/16" HIGH

LOCK STRIKE  
3/4" ABOVE LOCK C/L  
1 1/16" DIA. x 3/32" DEEP  
X 3 9/16" HIGH

**NOTE: Template may not be true-to-size. Please use for reference purposes only. Do NOT drill until measurements are verified.**