

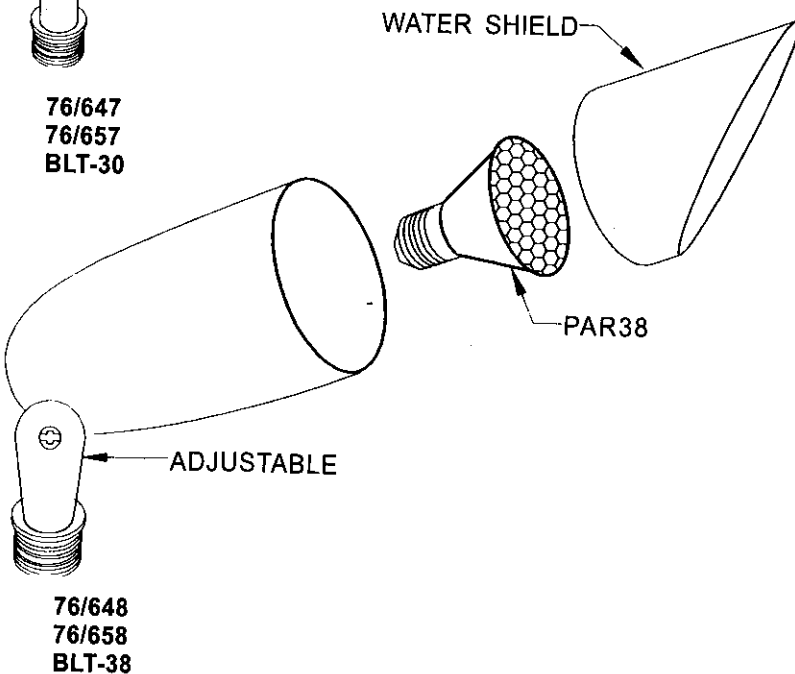
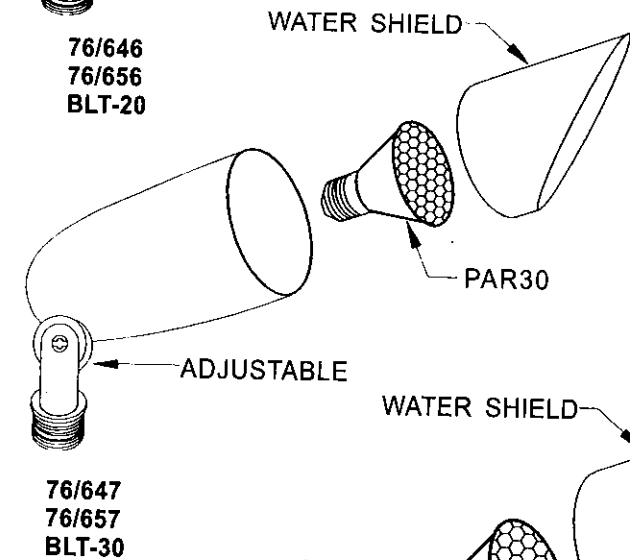
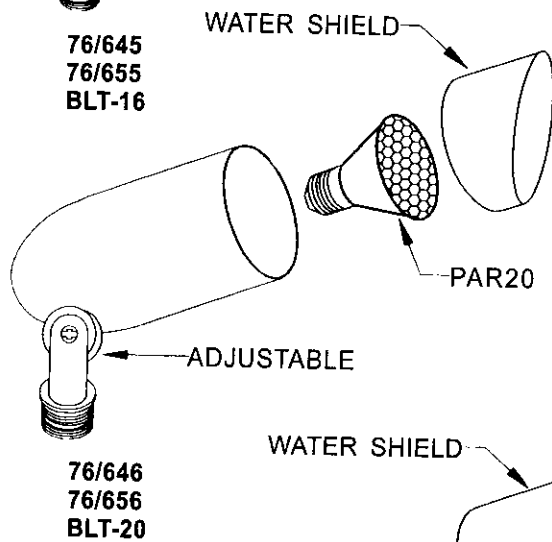
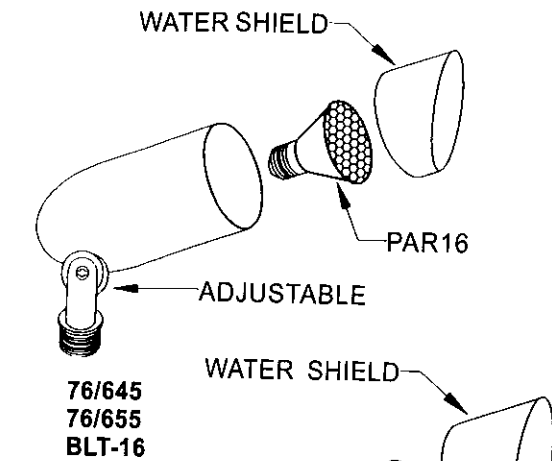
# LANDSCAPE FLOODLIGHT Installation Instructions

BLT-16  
76/645  
76/655

BLT-20  
76/646  
76/656

BLT-30  
76/647  
76/657

BLT-38  
76/648  
76/658



## LANDSCAPE LIGHTING WILL BE INSTALLED BY PROFESSIONAL

- TURN OFF POWER
- OPEN WATER SHIELD AND INSTALL PAR16/PAR20/PAR30/PAR38 INCANDESCENT
- ROTATE WATER SHIELD IN TO DESIRED DIRECTION
- TO CONNECT WIRES USING WIRE NUTS EACH SUPPLY WIRE TO CORRESPONDING SOCKET WIRES
- ATTACH LANDSCAPE FLOODLIGHT TO STAKE POST OR CANOPY
- TURN ON POWER

