

INSTALLATION AND SAFETY INSTRUCTIONS

FOR YOUR SAFETY

WARNING: BE SURE THE ELECTRICITY TO THE WIRES YOU ARE WORKING ON IS SHUT OFF; EITHER THE FUSE IS REMOVED OR THE CIRCUIT BREAKER IS SHUT OFF.

GENERAL

You don't need special tools to install this fixture. Be sure to follow the steps in the order given. Under no circumstances should a fixture be hung on house electrical wires, nor should a swag type fixture be installed on a ceiling, which contains a radiant type heating system. Read instructions carefully. If you are unclear as to how to proceed, consult a qualified electrician.

NOTE: Proper wiring is essential for the safe operation of this fixture.

FIXTURE ASSEMBLY

Carefully remove the fixture from the carton and check that all parts are included as shown in figure. Be careful not to misplace any of the screws or parts, which are needed to install this fixture.

NOTE : This fixture can be mounted in two ways. SEMI FLUSH or PENDANT.

STEP 1: Hook the hook of arm (I) to the hook (H). Hook the other hook of arm (I) to the hook (J) of frame.

PENDANT INSTALLATION

CAUTION : Please buy one hardware bag for pendant installation (not provide) and assembly according to ASSEMBLY INSTRUCTION SHEET OF PART BAG.

SEMI FLUSH INSTALLATION

IMPORTANT: Do not attach fixture directly to outlet box.

STEP 1: Secure the mounting bar (A) to outlet box with the outlet box screws (B).

STEP 2: Thread the nut (D) onto the nipple (E). Insert the lock washer (C) and thread the nipple (E) into the mounting bar (A) then secure with the nut (D).

GROUNDING INSTRUCTIONS

STEP 1: Insert the green grounding screw into the hole with two raised on the mounting bar. Wrap the ground wire from the fixture (if supplied) around the green ground screw, then connect it to ground wire from the outlet box (if not fixed on the outlet box) using a wire connector (not supplied). If ground wire from the fixture is not supplied, wrap the ground wire (if not fixed on the outlet box) from the outlet box around the green grounding screw and tighten it.

NEVER CONNECT GROUND WIRE TO BLACK OR WHITE POWER SUPPLY WIRES.

STEP 2: Take note of the color of the wire(s) on your fixture. Identify which group your fixture wire(s) falls into and connect the wires according to the directions below:

GROUP A: Connect to Black House Wire	GROUP B: Connect to White House Wire
BLACK	WHITE
*PARALLEL WIRE (round & smooth)	*PARALLEL WIRE (square & ridged)
WHITE OR GREY WITH TRACER	WHITE OR GREY WITHOUT TRACER
BROWN GOLD OR BLACK WITHOUT TRACER	BROWN, GOLD OR BLACK WITH TRACER

*NOTE: When parallel wire (SPT-1 & SPT-2) is used, the tracer wire is square shaped or ridged and the less tracer wire is round in shape or smooth (seen best when viewed from wire end.)

STEP 3: Take your fixture wire(s) from group A and place evenly against the black wire from the outlet box. Do NOT twist wires together before using wire connectors.

STEP 4: Fit a wire connector over the wires and screw the connector clockwise until you feel firmness.

STEP 5: Try gently to pull the connector off the wires. If you pull the connector off, carefully re-do steps 3 and 4, as above, and check again for a firm connection.

STEP 6: Connect the fixture wire from group B to the white wire from the outlet box in the same manner. Make sure no bare wires can be seen outside wire connectors.

FINAL ASSEMBLY

STEP 1: (FOR SEMI FLUSH) After wire are connected, tuck them carefully inside outlet box, then secure the canopy (F) allowing the nipple (E) to protrude through the holes in the canopy (F) and secure with the ball nut (G).

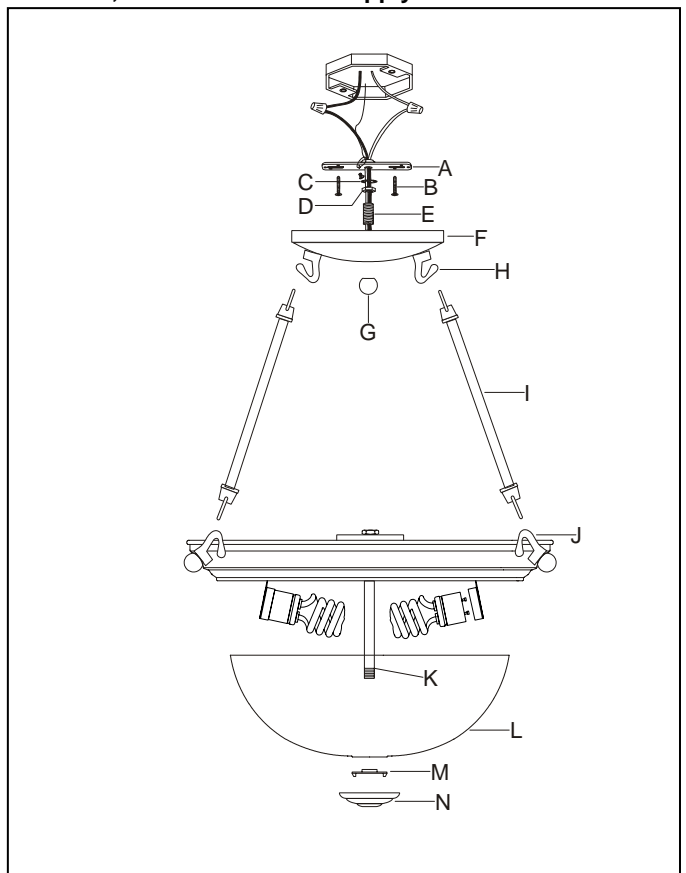
STEP 2: Install lamps(R). (Please do not exceed the maximum capacity recommended on the socket.)

STEP 3: Slide the glass (L) and the washer (M) onto the nipple (K) and secure with the cap (N).

CLEANING

To clean, wipe fixture with a soft cloth. Clean glass with a mild soap. Do not use abrasive materials such as scouring pads or powders, steel wool or abrasive paper.

Line art shown may not exactly match the fixture enclosed. However, the installations do apply to this fixture.



ITEM NO:	60-3108	60-3109	60-3111
	60-3184	60-3185	60-3186
	60-3338	60-3339	60-3341
	60-3294	60-3295	60-3296
	45-006	45-035	