

ODEON ASSEMBLY INSTRUCTIONS

GENERAL:

Carefully unpack the fixture, you should receive: mounting hardware, fixture assembly, glass assembly.

FIXTURE ASSEMBLY: (see FIG.1)

STEP 1: Secure mounting bar (A) to outlet box with outlet box screws (B). Thread nut (D) onto nipple (E) so that five threads are exposed above nut (D). Insert lock washer (C) and thread nipple (E) into mounting bar (A), then secure with nut (D).

STEP 2: Slide collar ring (G) and canopy (F) over chain (I). Thread collar ring (G) onto nipple (E). Weave the fixture wire and the ground wire through the chain links (I). Open key link-2 (J), connect it to fixture loop (K) and close the key link-2 (J). Open key link-1 (H), connect it to collar ring (G) and close the key link-1 (H).

BE SURE TO CLOSE ALL CHAIN LINKS COMPLETELY.

STEP 3: Lace wires up through chain (I) and pass wires through holes in collar ring (G). We recommend lacing wire up through every other link of chain (I).

STEP 4: After wires are connected, tuck them carefully inside outlet box, then secure canopy (F) with collar ring (G).

STEP 5: Place glass (A1) to glass frame (X), then place glass frame (X) and cups (Y) to socket (W), secure with retaining ring (Z).

NOTE: This fixture has two methods of installation: one is ARMS/GLASS facing upward, the other one ARMS/GLASS facing adown. (**Remark: Tube (O1), tube (T1) are standby.**)

The fixture ships with the ARMS/GLASS in the upward positions:

To disassembly: (see FIG.2)

If you select an ARMS/GLASS facing down installation, please follow the steps listed below.

STEP 1: Unscrew fixture loop (K), iron washer (L), nipple (M), tube (O) in order, pull apart cable connector (P), pull apart cable connector (Q), take out tube (O) place to the side.

STEP 2: Unscrew nipple (V), coupling (U), tube (T) in order, take out tube (T) place to the side.

STEP 3: Flip over fixture arms (N) 180 degrees so the arms now down.

Arms/Glass Assembly: (see FIG.3)

STEP 1: Insert cable connector (P) to cable connector (Q2), cable connector (Q) to cable connector (P2), screw tube (O1) to coupling (R), place nipple (M) through the hole of fixture arms (N) and screw it to tube (O1), place iron washer (L), screw fixture loop (K) to nipple (M) until tight.

STEP 2: Screw coupling (U) to tube (T1), then place tube (T1) through the hole of fixture arms (N) and screw it to coupling (S), screw nipple (V) to coupling (U).

STEP 3: Repeat installation for step 1 to step 5.

ITEM NO: 60-2855, 60-2856

FIG.1

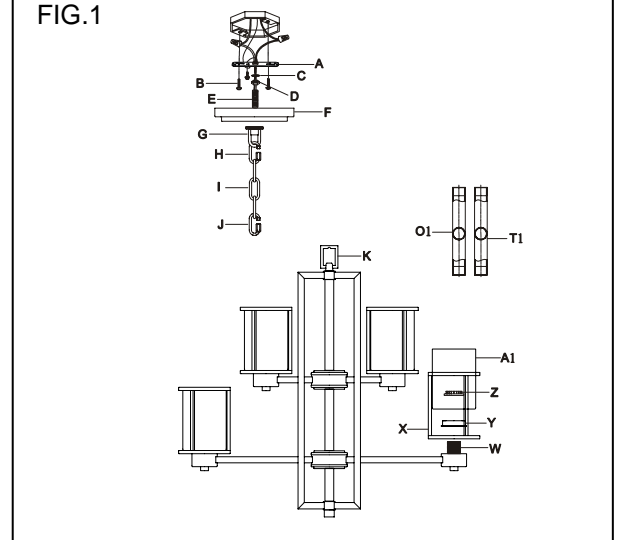


FIG.2

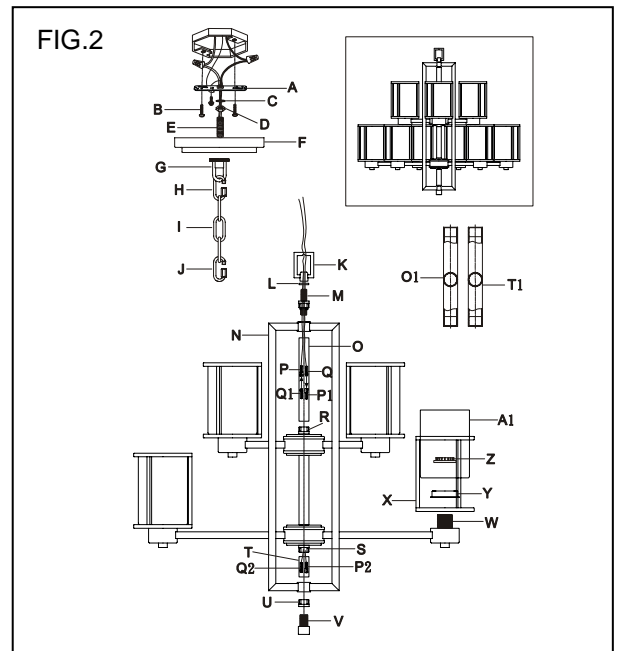


FIG.3

