

MODEL NO.: 62/1041. 62/1441.

FLUORESCENT FLUSH MOUNT FIXTURE ASSEMBLY&INSTALLATION INSTRUCTIONS

Plesae read carefully and save these instructions, as you may need them at a later date.

CAUTION

Turn off the main power at the circuit break before installing the fixture, in order to prevent possible electrical shock
Plesae read carefully and save these instructions, as you may need them at a later date.

GENERAL

All electrical connections must be in accordance with local and national electrical code (N.E.C) standards. if you are unfamiliar with proper electrical wiring connections obtain the services of a qualified electrician.

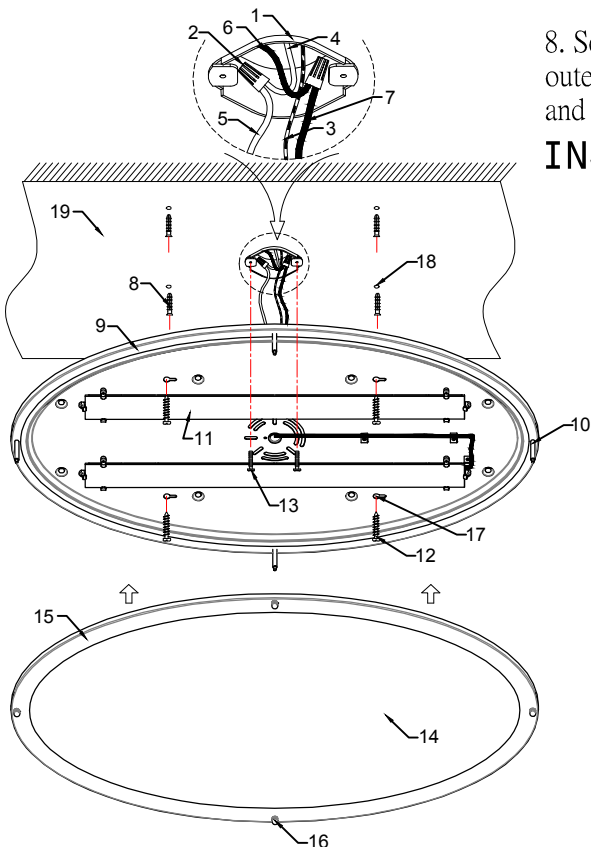
Remove the fixture and the mounting package from the box and make sure that no parts are missing by referencing the illustrations on the installation.

ASSEMBLY AND INSTALLATION

1. Turn off the power.
2. Remove the four cap nuts(16), and take out the outer ring(15), then you can take the acrylic lens (14) out from the fixture pan (9).
3. Pull the supply wires(4)&(6)out from the outlet box(1).
4. Position your fixture over the outlet box (1). Mark the location of the four KEYHOLE SLOTS(17) located on the fixture pan(9). Be sure to mark only the narrow parts of the KEYHOLE SLOTS(17). Remove the fixture pan(9) from the ceiling. Drill the four holes using the appropriately sized drill bit. Insert the provided ceiling anchors (8) into the holes.
5. Make the wiring connections:connect the fixture ground wire (3) to the outlet box; connect the white supply wire (4) to the white fixture wire (5); connect the black supply wire (6) to the black fixture wire (7) using wire connectors(2). Carefully tuck all wires back into the outlet box(1).
6. Reposition your fixture over the OUTLET BOX(1). Feed the two MOUNTING SCREWS (13) through the holes located on the center of the FIXTURE PAN(9). Tighten the MOUNTING SCREWS(13) into the threaded holes on the outlet box(1).
7. Feed the four anchor screws(12) through the narrow part of KEY SLOTS (17). Tighten the anchor screws (12) into the CEILING(19) until the FIXTURE PAN (9) is flush with the ceiling.

8. Secure the ARCYLIC LENS (14) to the fixture pan, and take up the outer ring (15) through the threaded pole(10) onto the arcylic lens (14), and then tighten the cap nuts (16) into the threaded pole.

INSTALLATION IS NOW COMPLETED



- 1.OUTLET BOX
- 2.WIRE CONNECTOR
- 3.FIXTURE GROUND WIRE
- 4.WHITE SUPPLY WIRE
- 5.WHITE FIXTURE WIRE
- 6.BLACK SUPPLY WIRE
- 7.BLACK FIXTURE WIRE
- 8.CEILING ANCHOR
9. FIXTURE PAN
- 10.THREADED POLE
- 11.LED
- 12.ANCHOR SCREW
- 13.MOUNTING SCREW
- 14.ACRYLIC LENS
15. OUTER RING
- 16.CAP NUT
- 17.KEY SLOT
- 18.DRILLED HOLES
- 19.CEILING

