

Safety and Installation Instructions

LED Flush mount light

With Integrated Dimmable Driver



Thank you for purchasing our product. This fixture has been manufactured from components with advanced optoelectronics to ensure high reliability and long life. Before assembling please read this Operation Manual carefully and save in a safe place for future reference. Please note that all electrical connections must be in accordance with local and National Electrical Code standards as well as local building codes. In case you are not familiar with proper wiring connections and building codes, consult a qualified electrician.

Safety recommendations

1. RISK OF ELECTRIC SHOCK - THIS PRODUCT MUST BE INSTALLED IN ACCORDANCE WITH APPLICABLE INSTALLATION CODES BY A PERSON FAMILIAR WITH MENTIONED ABOVE CODES AND HAZARD INVOLVED. DISCONNECT POWER AT CIRCUIT BREAKER OF FUSE BEFORE INSTALLING OR SERVICING.
2. BEFORE USE OF THE PRODUCT CAREFULLY READ THE WHOLE OPERATION MANUAL.
3. THE PRODUCT IS PURPOSED FOR INTERIOR USE ONLY, SUITABLE FOR DAMP LOCATIONS.
4. PROTECT THE PRODUCT AGAINST DIRECT CONTACT WITH WATER.
5. ASSEMBLE THE PRODUCT ONLY WITH THE USE OF PARTS PROVIDED AND THE HOUSING; IMPROPER ASSEMBLY MAY RESULT IN DEVICE FAILING WHICH COULD DAMAGE THE PRODUCT, PERSONAL PROPERTY OR CAUSE INJURY.
6. ASSEMBLY SHALL FOLLOW WITH ACCESSORIES DELIVERED WITH THE SET ONLY.
7. THE DEVICE IS NOT A TOY, KEEP OUT OF REACH OF CHILDREN.

Specifications:

LED Flush mount light

Operating Voltage: 120/277V

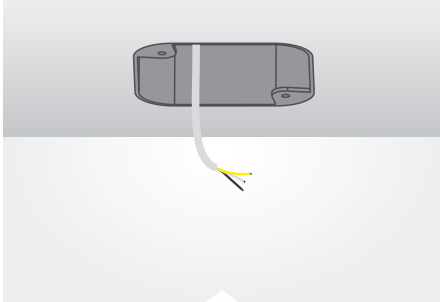
Dimming: 0-10V

Color Temp.: 3000K

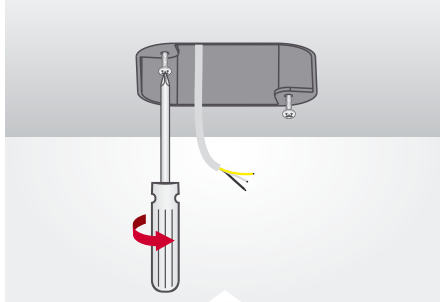
Power consumption:

11"round: 12.5W

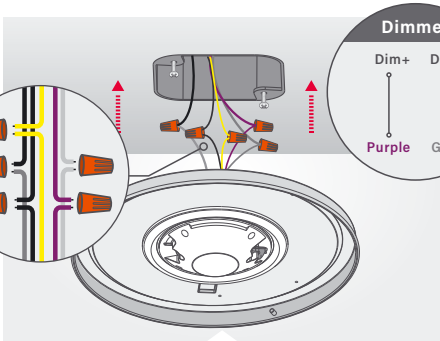
14"round: 16.5W



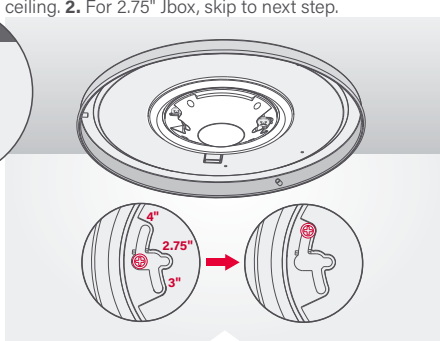
STEP 1: Turn-off / disconnect power at circuit breaker.



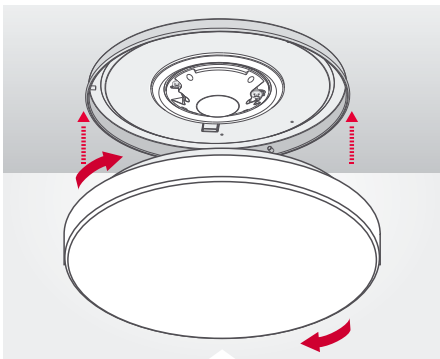
STEP 2: 1. For 3" & 4" Jbox, install 2 long screws (provided) to Jbox leaving minimum 1/2" space to ceiling. **2.** For 2.75" Jbox, skip to next step.



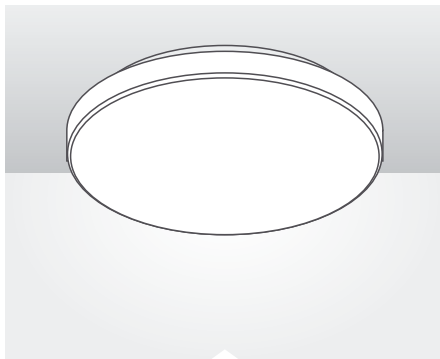
STEP 3: Make Ground connection. Attach black AC wire from fixture to black AC wire from Jbox. Connect white wire from fixture to white wire from Jbox.



STEP 4: 1. For 3" & 4" Jbox, align the holes on the base of the fixture with the pre-installed screws from the Jbox using the proper slots as indicated in the above diagram. **2.** For 2.75" Jbox, install base of the fixture to the Jbox by attaching 2 screws (provided) as shown in the diagram.



STEP 5: Align puff lens with locking ramp to pins on side of base and twist until it locks into place.



STEP 6: Fixture installed.



Installed-Congratulations...
Enjoy the light!

Dimming

This product is compatible with most residential type dimmers available on the market. The dimming performance will depend on kind of dimmer and dimmer settings. Visit Satco.com for an up to date list of compatible dimmers.

Cleaning

- Clean with a soft or damp cloth. While cleaning with the damp cloth make sure the power is off.
- Do not clean with abrasives.

5 Year limited warranty

The purchased product is covered with a 5 year warranty in respect of any defect in material or workmanship after purchase date.

Satco shall bear no responsibility on account of guarantee, as well as shall bear no liability for any faults, in case of improper operation, use negligence, accident or exposure to natural hazard, or excessive use over the limits specified for the unit, or if any unauthorized alteration or repair followed.