

## DESCRIPTION

### BLOWER:

- Plug-in, permanently lubricated motor - engineered for continuous operation
- Dynamically balanced centrifugal blower wheel for quiet, efficient performance
- Low RPM for quiet operation
- Resilient anti-vibration motor mounts

### HOUSING:

- Rugged, 26 gauge, galvanized steel construction
- Polymeric, 4" duct connector with tapered sleeve and no metallic clatter
- 7-5/8" height allows for 2" x 8" (nominal) joist installations
- Sturdy, easy, four-point mounting directly to joist
- Includes unique spacer (patent pending) for mounting to engineered "I" joists
- Includes hanger bars to position housing anywhere between 16" to 24"-on-center joists
- Two sets of mounting holes for hanger bars allow flush installation with bottom or top of drywall
- Can be mounted in ceilings up to 12/12 pitch

### GRILLE:

- Polymeric construction
- Innovative design - the result of extensive research with designers and consumers
- 42W fluorescent lamp\* (bulb included)
- 4W night light (bulb not included)
- Durable steel reflector with white enamel finish

### CONTROLS (Purchase separately):

- Refer to NuTone's catalog for a complete line of accessories to effectively adapt these fans to your construction requirements.

U.L. Listed for use over bathtubs and showers when connected to a GFCI protected branch circuit (ceiling mount only).

U.L. Listed for use in insulated ceilings (TYPE I.C.)

California Title 24 compliant.

3-Year Warranty



\* Use only one of the following 42W fluorescent lamps:

G.E. F42TBX827A4P/EOL or F42TBX830A4P/EOL

PHILIPS PL-T 42W/827/4P/ALTO or PL-T 42W/830/4P/ALTO

SYLVANIA CF42DT/E/IN/827 or CF42DT/E/IN/830

NEMA Type CFTR42W/GX24q/827 or CFTR42W/GX24q/830

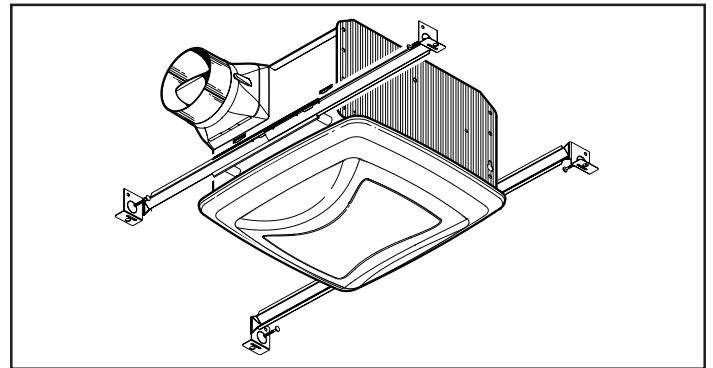
NuTone 97016888

NuTone, Inc., 4820 Red Bank Road, Cincinnati, OH 45227 (1-800-543-8687)

## QTREN Series

# Fan/Light/Night Lights

## MODELS QTREN080FLT, QTREN110FLT



## ARCHITECT'S SPECIFICATION

- Ceiling Ventilator shall be NuTone Model QTREN080FLT (QTREN110FLT).
- Ceiling Ventilator shall have corrosion resistant galvanized steel housing with four-point mounting capability. It shall be ducted to a roof or wall cap using 4" round ductwork.
- Blower assembly shall be removable, have a centrifugal-type blower wheel and a permanently lubricated motor designed for continuous operation and mounted with resilient anti-vibration mounts.
- Non-metallic damper/duct connector shall be included.
- Lamp shall be 42W fluorescent\* with separate 4W night light.
- Air delivery shall be no less than 80 (110) CFM and sound level no greater than 0.8 (1.3) Sones. All air and sound ratings shall be certified by HVI.
- Ceiling ventilator shall be Energy Star® qualified and have an energy efficient permanent split capacitor motor.
- Ceiling Ventilator shall be U.L. Listed for use in insulated ceilings (Type I.C.) and for use over bathtubs and showers when connected to a GFCI protected branch circuit.

## INSTALLATION

Complete installation instructions are included with each Fan / Light / Night Light.

REFERENCE	QTY.	REMARKS	Project
			Location
			Architect
			Engineer
			Contractor
			Submitted by <span style="float: right;">Date</span>

# PERFORMANCE RATINGS

## QTREN SERIES FAN / LIGHT / NIGHT LIGHTS

### HVI PERFORMANCE

Model	Sones @0.1" Ps	CFM @0.1" Ps
QTREN080FLT	0.8	80
QTREN110FLT	1.3	110



HVI-2100 CERTIFIED RATINGS comply with new testing technologies and procedures prescribed by the Home Ventilating Institute, for off-the-shelf products, as they are available to consumers. Product performance is rated at 0.1 in. static pressure, based on tests conducted in AMCA's state-of-the-art test laboratory. Sones are a measure of humanly-perceived loudness, based on laboratory measurements.

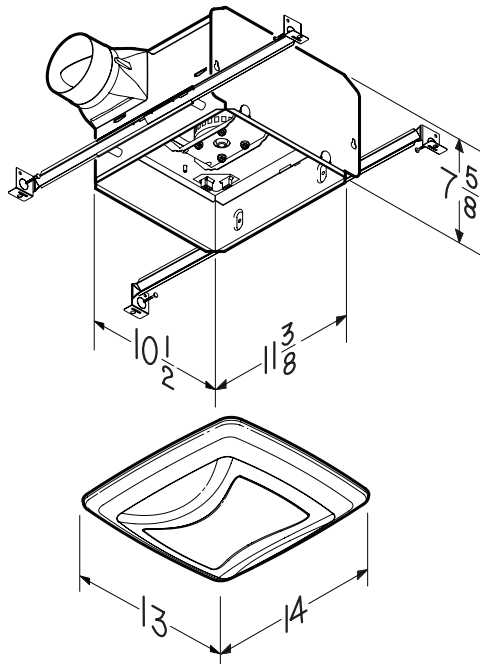
### AMPS

Model	Amps*
QTREN080FLT	1.0
QTREN110FLT	1.1

\*Total connected load

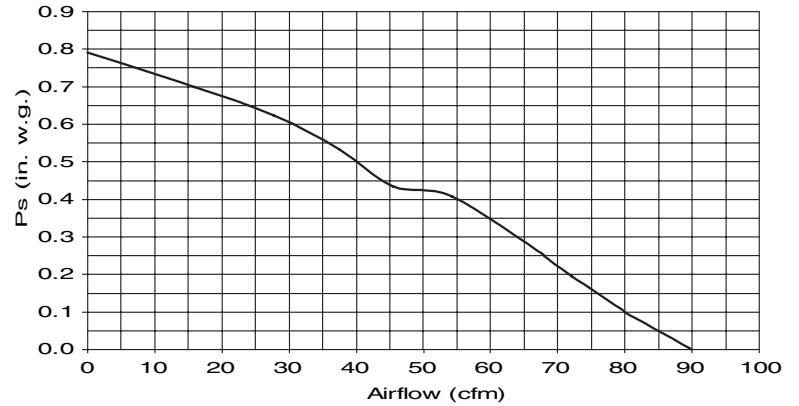
### WEIGHT

Model	Shipping Weight
QTREN080FLT	15.4 lbs.
QTREN110FLT	15.4 lbs.

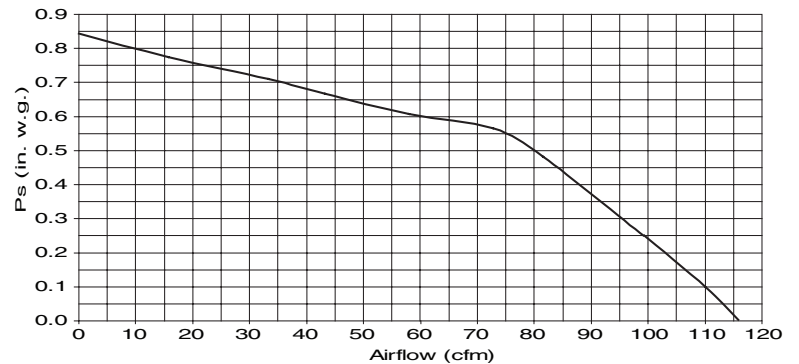


### AIR FLOW PERFORMANCE

#### MODEL QTREN080FLT



#### MODEL QTREN110FLT



# NuTone®

NuTone, Inc., 4820 Red Bank Road, Cincinnati, OH 45227 (1-800-543-8687)