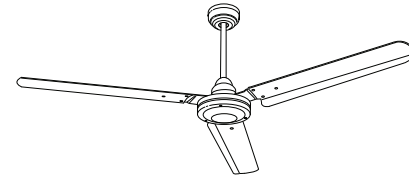


COMMERCIAL CEILING FANS



Page 1

READ AND SAVE THESE INSTRUCTIONS

WARNING

TO REDUCE THE RISK OF FIRE, ELECTRICAL SHOCK, OR INJURY TO PERSONS, OBSERVE THE FOLLOWING:

1. Use this unit only in the manner intended by the manufacturer. If you have questions, contact the manufacturer at the address or telephone number listed in the warranty.
2. Before servicing or cleaning unit, or installing a light kit, switch power off at service panel and lock service panel to prevent power from being switched on accidentally. When the service disconnecting means cannot be locked, securely fasten a prominent warning device, such as a tag, to the service panel.
3. Installation work and electrical wiring must be done by a qualified person(s) in accordance with all applicable codes and standards, including fire-rated construction codes and standards.
4. When cutting or drilling into wall or ceiling, do not damage electrical wiring and other hidden utilities.
5. This unit must be grounded.
6. Do not use this fan with any solid-state fan speed control device.
7. Most outlet boxes commonly used for the support of lighting fixtures are not acceptable for fan support and may need to be replaced, consult a qualified electrician if in doubt.

Use only UL Listed outlet boxes marked "FOR FAN SUPPORT". The outlet box and support structure must be securely mounted and capable of reliably supporting a minimum of 50 pounds. Use only the two steel screws (and lock washers) provided with the outlet box for mounting the ceiling fan to the outlet box. The outlet box must not twist or work loose. **DO NOT USE PLASTIC OUTLET BOXES.**

8. After marking electrical connections, spliced conductors should be turned upward and pushed carefully up into outlet box. The wires should be spread apart with the grounded conductor and the equipment-grounding conductor on one side of the outlet box.
9. After installation is complete, make sure that all connections are secure to prevent the fan from falling. Make sure all wire connections are secure, and that there are no exposed conductor strands.
10. Do not use water or detergents when cleaning the fan or fan blades. A dry dust cloth or lightly dampened cloth will be suitable for most cleaning.

CAUTION

TO REDUCE THE RISK OF PERSONAL INJURY, OBSERVE THE FOLLOWING:

1. To avoid motor bearing damage and noisy and/or unbalanced impellers, keep drywall spray, construction dust, etc. off power unit.
2. The fan must be mounted with a minimum of 10 feet clearance between fan blades and floor.
3. Make sure that your installation will not allow the fan to come into contact with any adjacent obstacles such as doors, hanging lamps, etc.
4. If you are installing more than one ceiling fan, do not mix the blade sets.
5. Do not bend the blade brackets.
6. Do not insert objects in between rotating fan blades.
7. Be careful when working around or cleaning the fan.
8. Please read specification label on product for further information and requirements.

WEIGHT OF FAN

The weight of your fan is 18.5 lbs. The weights of light kits, down rods, and ceiling adapters are listed in the instructions packed with those accessories.

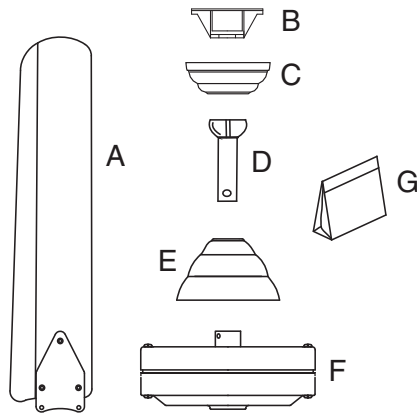
INSTALLER:
Leave this manual with the homeowner.

HOMEOWNER:
Use and care instructions on page 6.

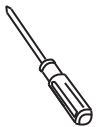
CONTENTS

Unpack your fan and check the contents. You should have the following items:

- A - Blade Set (3)
- B - Mounting Bracket
- C - Upper Canopy
- D - Downrod
- E - Lower Canopy
- F - Fan Motor Assembly
- G - Hardware Package
(Note: Package may contain extra hardware.)



TOOLS & MATERIALS REQUIRED



PHILLIPS SCREW DRIVER



FLAT BLADE SCREW DRIVER



STEP LADDER



WIRE CUTTER

MOUNTING OPTIONS

If there isn't an existing UL listed mounting box, then read the following instructions. Disconnect the power by removing fuses or turning off circuit breakers.

Secure the outlet box directly to the building structure. Use appropriate fasteners and building materials. The outlet box and its support must be able to fully support the moving weight of the fan (at least 50 lbs). Do not use plastic outlet boxes.

Figures 1, 2 and 3 are examples of different ways to mount the outlet box. Note: You may need a longer downrod to maintain proper blade clearance when installing on a steep, sloped ceiling. (Fig. 3)

To hang your fan where there is an existing fixture but no ceiling joist, you may need an installation hanger bar as shown in Figure 4.

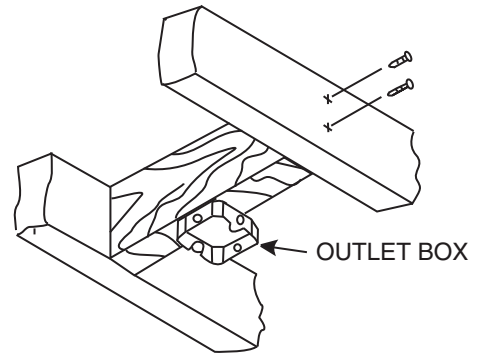


FIGURE 1

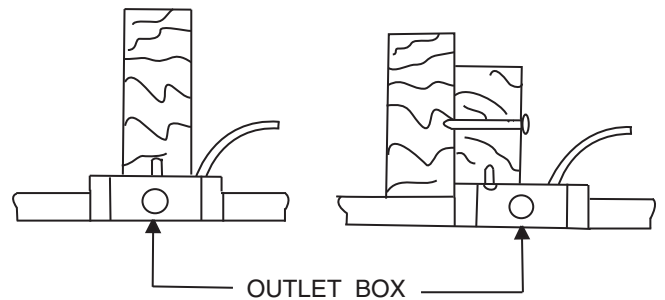


FIGURE 2

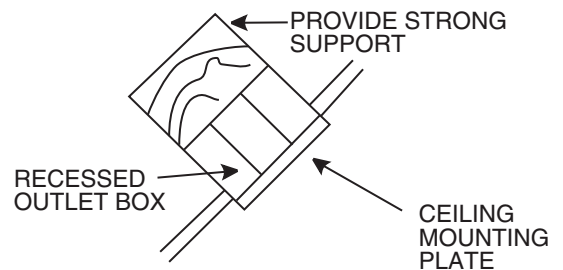
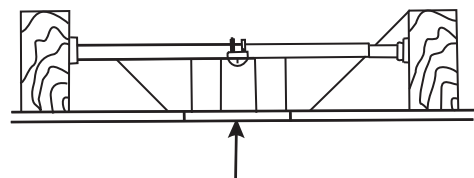


FIGURE 3



OUTLET BOX

FIGURE 4

INSTALL THE FAN

1. Pass the 120-volt supply wires through the center hole in the ceiling hanger bracket as shown in Fig. 5.
2. Secure the mounting bracket to the ceiling outlet box with the screws and washers provided with your outlet box.
3. Remove the hanger pin, locking pin and set screws from the top of the motor assembly.
4. Route wires exiting from the top of the fan motor through the lower canopy, canopy cover and canopy, then through the ball / downrod. (Fig. 6)
5. Align the holes at the bottom of the downrod with the holes in the collar on top of the motor housing (Fig.6). Carefully insert the hanger pin through the holes in the collar and downrod. Be careful not to jam the pin against the wiring inside the downrod. Insert the locking pin through the hole near the end of the hanger pin until it snaps into its locked position, as noted in the circle inset of Fig. 6.
6. Tighten two set screws on top of the fan motor firmly. (Fig. 6)
7. Slide lower canopy down on top of the motor housing. Tighten lower canopy screw. (Fig. 6)
8. Place the downrod ball into the hanger bracket socket. Line up registration slot on ball with hook on mounting plate. (Fig. 7)

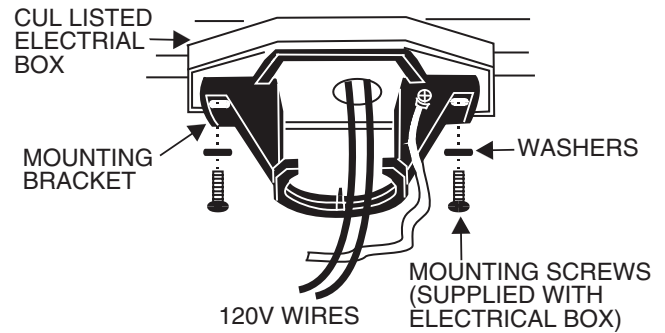


FIGURE 5

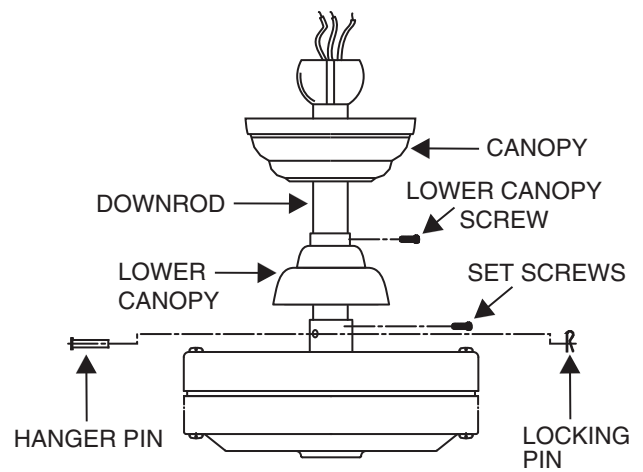


FIGURE 6

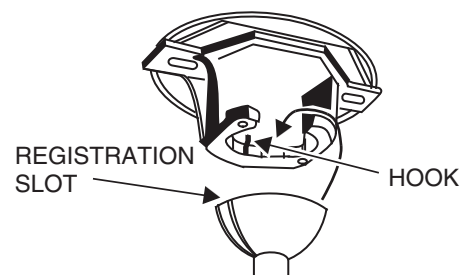


FIGURE 7

CONNECT WIRING

Remember to disconnect the power. Follow the steps below to connect the fan to your building/facility wiring. Use the wire nuts supplied with your fan. Secure the connectors with electrical tape. Make sure there are no loose strands or connections.

1. Connect the fan supply (black) wire and light supply (blue) wire to the black household supply wire as shown in Figure 8.
2. Connect the neutral fan (white) wire to the white neutral household wire.
3. Connect the fan ground wire (green) to the building/facility ground wire.
4. After connecting the wires, spread them apart so that the green and white wires are on one side of the outlet box and the black and the blue wires are on the other side.
5. Turn the connecting nuts upward and push the wiring into the outlet box.

WARNING: TO REDUCE THE RISK OF FIRE, ELECTRIC SHOCK, OR OTHER PERSONAL INJURY, MOUNT FAN ONLY ON AN OUTLET BOX OR SUPPORTING SYSTEM MARKED ACCEPTABLE FOR FAN SUPPORT.

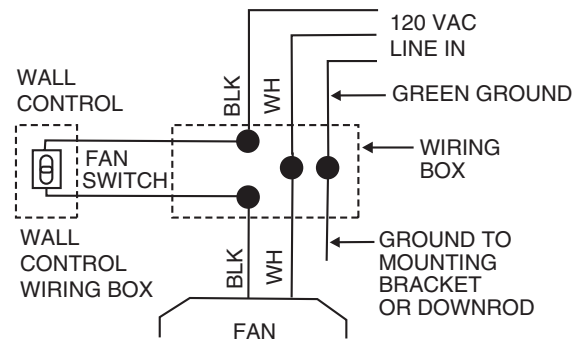


FIGURE 8

FINISH INSTALLATION

1. Tuck connections neatly into ceiling outlet box.
2. Slide the canopy up to mounting bracket and secure by tightening the two set screws. (Fig. 9)
Note: Adjust the canopy screws as necessary until the canopy and canopy cover are snug.

Warning: Make sure tab at bottom of hanger bracket is properly seated in groove of hanger ball before attaching canopy to bracket. Failure to properly seat tab in groove could cause damage to electrical wiring.

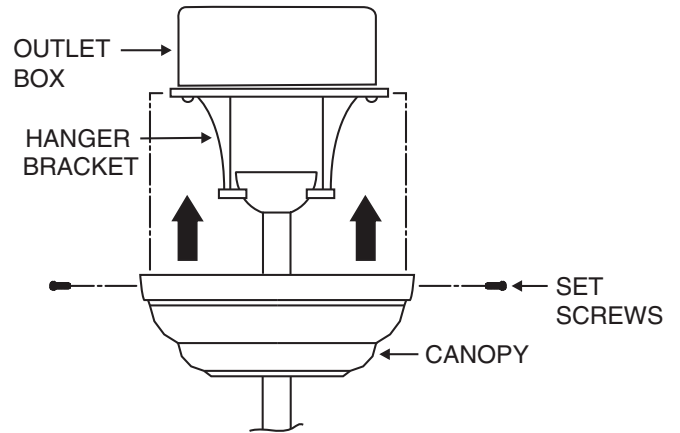


FIGURE 9

ATTACH FAN BLADES

1. Fasten blade assembly to motor using the screws supplied. (Fig. 10)
2. Repeat for the two remaining blades.

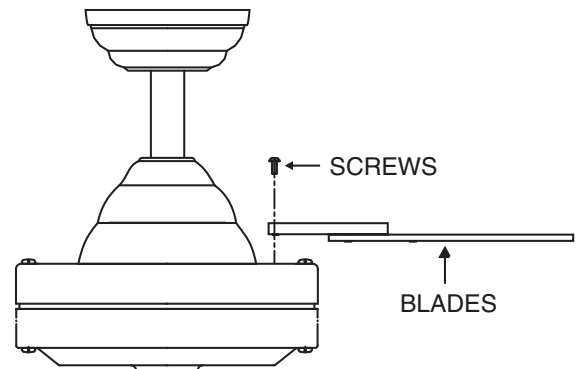


FIGURE 10

OPERATION

Turn on the power and check the operation of your fan.

MAINTENANCE

IMPORTANT: MAKE SURE THE POWER IS OFF AT THE ELECTRICAL PANEL BOX BEFORE YOU ATTEMPT ANY REPAIRS. REFER TO THE SECTION “CONNECT WIRING”.

Because of the fan's natural movement, some connections may become loose. Check the support connections, brackets, and blade attachments twice a year. Make sure they are secure. (It is not necessary to remove fan from ceiling.)

Clean your fan periodically to help maintain its new appearance over the years. Use only a soft brush or lint-free cloth to avoid scratching the finish. The plating is sealed with a lacquer to minimize discoloration or tarnishing. Do not use water when cleaning. This could damage the motor, or the wood, or possibly cause an electrical shock.

You can apply a light coat of furniture polish to the wood blades for additional protection and enhanced beauty. Cover small scratches with a light application of shoe polish.

There is no need to oil your fan. The motor has permanently lubricated bearings.

TROUBLESHOOTING

Fan will not start.

1. Check circuit fuses or breakers.
2. Check line wire connections to the fan and switch wire connections in the switch housing. CAUTION: Make sure main power is off.

Fan sounds noisy.

1. Make sure all motor housing screws are snug.
2. Make sure the screws that attach the fan blade bracket to the motor hub is tight.
3. Make sure wire nut connections are not rubbing against each other or the interior wall of the switch housing. CAUTION: Make sure main power is off.
4. Allow a 24-hour “breaking-in” period. Most noise associated with a new fan disappear during this time.
5. Some fan motors are sensitive to signals from solid-state variable speed controls. If you have installed this type of control, choose and install another type of control.
6. Make sure the upper canopy is a short distance from the ceiling. It should not touch the ceiling.

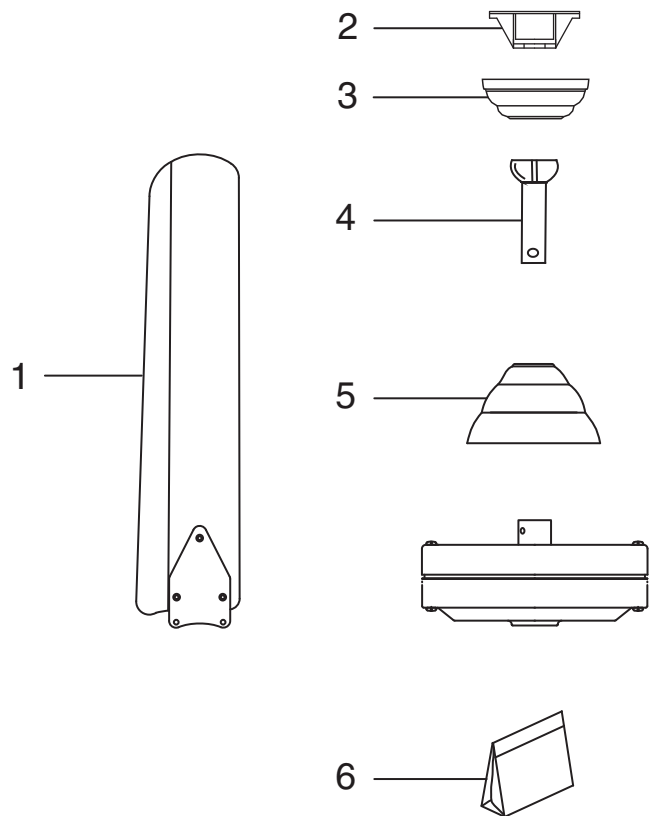
Fan wobbles.

1. Check that all blade and blade arm screws are secure.
2. Most fan wobbling problems are caused when blade levels are unequal. Check this level by selecting a point on the ceiling above the tip of one of the blades. Measure this distance. Rotate the fan until the next blade is positioned for measurement. Repeat for each blade. The distance deviation should be equal within 1/8”.
3. Use the enclosed Blade Balancing Kit if the blade wobble is still noticeable.
4. If the blade wobble is still noticeable, interchanging two adjacent (side by side) blades can redistribute the weight and possibly result in smoother operation.

WARNING: TO REDUCE THE RISK OF PERSONAL INJURY, DO NOT BEND THE BLADE ARM WHILE INSTALLING, BALANCING THE BLADES, OR CLEANING THE FAN. DO NOT INSERT FOREIGN OBJECTS BETWEEN ROTATING FAN BLADES.

SERVICE PARTS

KEY	PART NO.	DESCRIPTION
1	S77000972	BLADE SET (CONTAINS 3) (CFC56WH)
	S77000973	BLADE SET (CONTAINS 3) (CFC56BR)
2	S77000981	MOUNTING BRACKET
3	S77000974	CANOPY (CFC56WH)
	S77000975	CANOPY (CFC56BR)
4	S77000979	DOWNROD W/BALL, 6" (CFC56WH)
	S77000980	DOWNROD W/BALL, 6" (CFC56BR)
5	S77000976	COUPLING COVER (CFC56WH)
	S77000977	COUPLING COVER (CFC56BR)
6	S77000978	PARTS BAG



WARRANTY

NuTone Ceiling Fans and Accessories Limited Warranty

WARRANTY PERIOD: NuTone warrants to the original consumer purchaser of its NuTone Ceiling Fans and Accessories will be materially free from defects in materials or workmanship for a period of one (1) year from the date of original purchase. This warranty does not cover glass globes or light bulbs provided with the light kits.

The limited warranty period for replacement parts, and for fans repaired or replaced under this limited warranty, shall continue for the remainder of the original warranty period.

NO OTHER WARRANTIES: THE FOREGOING WARRANTIES ARE EXCLUSIVE AND IN LIEU OF ANY OTHER WARRANTIES, EXPRESS OR IMPLIED. NUTONE DISCLAIMS AND EXCLUDES ALL OTHER EXPRESS WARRANTIES, AND DISCLAIMS AND EXCLUDES ALL WARRANTIES IMPLIED BY LAW, INCLUDING WITHOUT LIMITATION THOSE OF MERCHANTABILITY AND FITNESS FOR A PARTICULAR PURPOSE. TO THE EXTENT THAT APPLICABLE LAW PROHIBITS THE EXCLUSION OF IMPLIED WARRANTIES, THE DURATION OF ANY APPLICABLE IMPLIED WARRANTY IS LIMITED TO THE PERIOD SPECIFIED FOR THE EXPRESS WARRANTY. Some states do not allow limitations on how long an implied warranty lasts, so the above limitation may not apply to you. Any oral or written description of the fan is for the sole purpose of identifying it and shall not be construed as an express warranty.

REMEDY: During the applicable limited warranty period, NuTone will, at its option, provide replacement parts for, or repair or replace, without charge, any fan or part, to the extent NuTone finds it to be covered by and in breach of this limited warranty. NuTone will ship the repaired or replaced fan or replacement parts to you at no charge. You are responsible for all costs for removal, reinstallation and shipping, insurance or other freight charges incurred in the shipment of the fan or part to NuTone. This warranty does not cover (a) normal maintenance and service, (b) normal wear and tear, (c) any fans or parts which have been subject to misuse, abuse, abnormal usage, negligence, accident, improper or insufficient maintenance, storage or repair (other than repair by NuTone), (d) damage caused by faulty installation, or installation or use contrary to recommendations or instructions, (e) any fan that has been moved from its original point of installation, (f) damage caused by environmental or natural elements, (g) damage in transit, (h) finish on any metal portion of the fan or accessory, (i) fans in commercial or nonresidential use, or (j) damage caused by fire, flood or other act of God. This warranty covers only fans sold in the United States or through U.S. distributors authorized by NuTone.

EXCLUSION OF DAMAGES: NUTONE'S OBLIGATION TO PROVIDE REPLACEMENT PARTS, OR REPAIR OR REPLACE, AT NUTONE'S OPTION, SHALL BE YOUR SOLE AND EXCLUSIVE REMEDY UNDER THIS LIMITED WARRANTY AND NUTONE'S SOLE AND EXCLUSIVE OBLIGATION. NUTONE SHALL NOT BE LIABLE FOR INCIDENTAL, INDIRECT, CONSEQUENTIAL OR SPECIAL DAMAGES ARISING OUT OF OR IN CONNECTION WITH THE FAN, ITS USE OR PERFORMANCE. Incidental damages include but are not limited to such damages as loss of time and loss of use. Consequential damages include but are not limited to the cost of repairing or replacing other property which was damaged if the fan does not work properly.

Some states do not allow the exclusion or limitation of incidental or consequential damages, so the above limitation or exclusion may not apply to you. This warranty gives you specific legal rights, and you may also have other rights, which vary from state to state.

This warranty supersedes all prior warranties and is not transferable from the original consumer purchaser.

NUTONE SHALL NOT BE LIABLE TO YOU, OR TO ANYONE CLAIMING UNDER YOU, FOR ANY OTHER OBLIGATIONS OR LIABILITIES, INCLUDING, BUT NOT LIMITED TO, OBLIGATIONS OR LIABILITIES ARISING OUT OF BREACH OF CONTRACT OR WARRANTY, NEGLIGENCE OR OTHER TORT OR ANY THEORY OF STRICT LIABILITY, WITH RESPECT TO THE FAN OR NUTONE'S ACTS OR OMISSIONS OR OTHERWISE.

This warranty covers only replacement or repair of defective fans or parts at NuTone's main facility and does not include the cost of field service travel and living expenses.

Any assistance NuTone provides to or procures for you outside the terms, limitations or exclusions of this limited warranty will not constitute a waiver of such terms, limitations or exclusions, nor will such assistance extend or revive the warranty.

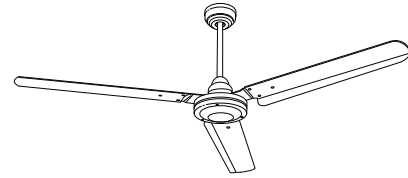
NuTone will not reimburse you for any expenses incurred by you in repairing or replacing any defective Fan, except for those incurred with NuTone's prior written permission.

HOW TO OBTAIN WARRANTY SERVICE: To qualify for warranty service, you must (a) notify NuTone at the address or telephone number stated below within seven (7) days of discovering the covered defect, (b) give the model number and part identification and (c) describe the nature of any defect in the fan or part. At the time of requesting warranty service, you must present evidence of the original purchase date.

Broan-NuTone LLC, 926 West State Street, Hartford, WI 53027 (888-336-6151)

If you must send the fan or part to NuTone, as instructed by NuTone, you must properly pack the fan or part—NuTone is not responsible for damage in transit.

VENTILADORES DE TECHO COMERCIALES



LEA Y GUARDE ESTAS INSTRUCCIONES

ADVERTENCIA

PARA REDUCIR EL RIESGO DE INCENDIO, DESCARGA ELÉCTRICA O LESIONES, SIGA LAS INDICACIONES QUE SE ENUMERAN A CONTINUACIÓN:

1. Utilice esta unidad sólo de la forma indicada por el fabricante. Si desea realizar consultas, comuníquese con el fabricante a la dirección o al número de teléfono que aparece en la garantía.
2. Antes de realizar tareas de mantenimiento o limpiar la unidad o instalar un kit de iluminación, apague el interruptor de electricidad desde el panel de servicio y bloquee el panel de servicio para evitar que alguien conecte la electricidad por accidente. Cuando el sistema de desconexión de servicio no se pueda bloquear, coloque en el panel de servicio un elemento de advertencia que se destaque como, por ejemplo, una etiqueta.
3. El trabajo de instalación y cableado eléctrico deberá hacerlo una persona calificada conforme a todos los códigos y estándares vigentes, incluidos los códigos y los estándares de clasificación ignífuga para construcciones.
4. Al cortar o perforar en una pared o techo, no dañe el cableado eléctrico ni otros servicios no visibles.
5. Esta unidad debe estar conectada a tierra.
6. No utilice este ventilador con ningún dispositivo de control de velocidad de ventiladores con semiconductores.
7. La mayoría de las cajas de distribución utilizadas para aparatos de luz no son admisibles para ventiladores y probablemente deban ser reemplazadas. En caso de duda, consulte a un electricista calificado.
Sólo utilice cajas de distribución homologadas por UL y que indiquen "FOR FAN SUPPORT" (Para ventiladores). La caja de distribución y la estructura de soporte deben quedar firmemente instaladas y deben soportar un peso mínimo de 50 libras (22.7 kg). Sólo utilice los dos tornillos de acero (y las arandelas de seguridad) incluidos con la caja de distribución para instalar el ventilador de techo a la caja de distribución. La caja de distribución no debe quedar torcida ni suelta al estar en funcionamiento. NO UTILICE CAJAS DE DISTRIBUCIÓN DE PLÁSTICO.
8. Después de realizar las conexiones eléctricas, debe girar los conductores empalmados hacia arriba e introducirlos con cuidado en la caja de distribución. Deberá separar los cables con el conductor a tierra y el conductor de conexión a tierra del equipo a un costado de la caja de distribución.
9. Después de terminar la instalación, asegúrese de que todas las conexiones queden bien sujetas para evitar que el ventilador se caiga. Asegúrese de que todas las conexiones de los cables estén firmemente sujetas y que no haya hilos conductores expuestos.
10. No use agua ni detergentes al limpiar el ventilador o las paletas del ventilador. Para la limpieza, un trapo seco o ligeramente humedecido será suficiente.

PRECAUCIÓN

PARA REDUCIR EL RIESGO DE LESIONES, SIGA LAS INDICACIONES QUE SE ENUMERAN A CONTINUACIÓN:

1. Para evitar daños a los cojinetes del motor e impulsores ruidosos y/o desnivelados, mantenga la unidad de alimentación eléctrica protegida del rocío de yeso, el polvo de construcción, etc.
2. El ventilador debe quedar instalado con un espacio mínimo de 10 pies (3 metros) entre las paletas del ventilador y el piso.
3. Al instalar el ventilador, asegúrese de que no quede en contacto con otros obstáculos adyacentes como puertas, lámparas colgantes, etc.
4. Si va a instalar más de un ventilador de techo, no mezcle los juegos de paletas.
5. No doble los soportes de las paletas.
6. No inserte objetos entre las paletas del ventilador mientras estén rotando.
7. Tenga cuidado al trabajar alrededor del ventilador o al limpiarlo.
8. Lea la etiqueta de especificaciones del producto para obtener más información y requisitos.

PESO DEL VENTILADOR

El peso de su ventilador es de 18.5 libras (8.39 kg). Los pesos de los kits de iluminación, las barras descendentes y los adaptadores de techo se encuentran en las instrucciones incluidas con dichos accesorios.

INSTALADOR:
Deje este manual con el propietario.

PROPIETARIO:
Instrucciones de utilización y cuidados en la página 14.

CONTENIDO

Desempaque su ventilador y verifique que el contenido esté completo. El paquete debe incluir lo siguiente:

- A - Juego de paletas de doble faz (5)
- B - Soporte de montaje
- C - Dosel alto
- D - Barra descendente
- E - Dosel bajo
- F - Conjunto del motor del ventilador
- G - Paquete de equipo (Nota: El paquete puede contener equipo adicional.)

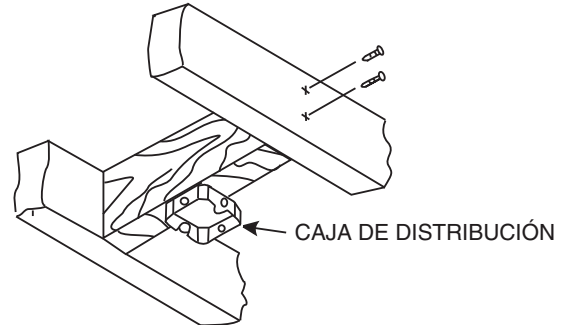
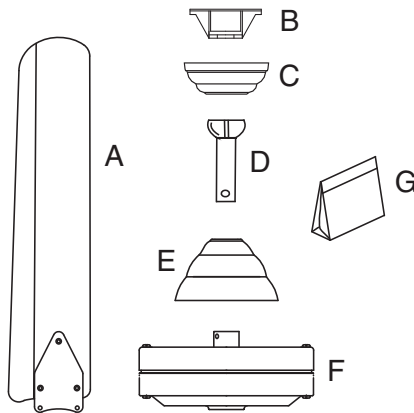


FIGURA 1

HERRAMIENTAS Y MATERIALES REQUERIDOS



DESTORNILLADOR PHILLIPS

DESTORNILLADOR PLANO

ESCALERA DE TIJERA

ALICATE PARA CORTAR ALAMBRE

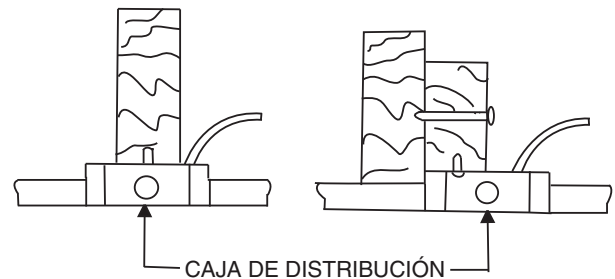


FIGURA 2

OPCIONES DE MONTAJE

Si no hay una caja de montaje homologada por UL, entonces lea las siguientes instrucciones: Desconecte la corriente eléctrica retirando los fusibles o apagando los disyuntores.

Sujete la caja de distribución directamente a la estructura del edificio. Utilice las abrazaderas y los materiales de armado correspondientes. La caja de distribución y su soporte deben soportar el peso total del ventilador en movimiento (por lo menos 50 libras/22 kg). No utilice cajas de distribución de plástico.

Las figuras 1, 2 y 3 son ejemplos de las distintas formas de instalar la caja de distribución.

Nota: Probablemente necesite una barra descendente más larga para mantener el espacio adecuado de las paletas al instalar el ventilador en un techo empinado, en declive. (Fig. 3)

Para colgar el ventilador donde haya un aparato de luz existente pero no haya una viga de techo, necesitará instalar una barra de suspensión como se muestra en la figura 4.

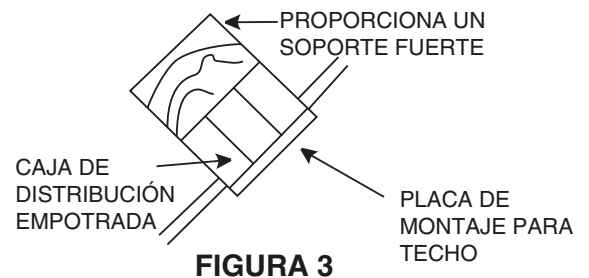


FIGURA 3

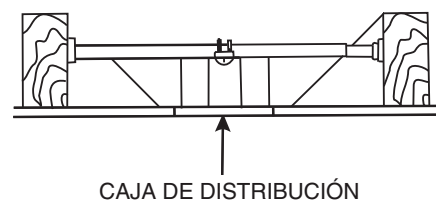


FIGURA 4

INSTALACIÓN DEL VENTILADOR

1. Pase los cables de alimentación de 120 voltios por el orificio central del soporte de suspensión, tal como se muestra en la Fig. 5.
2. Asegure el soporte de montaje a la caja de distribución del techo con los tornillos y las arandelas suministrados junto con la caja de distribución.
3. Retire el pivote de la abrazadera de suspensión, el pasador de bloqueo y los tornillos de sujeción de la parte superior del conjunto del motor.
4. Pase los cables existentes de la parte superior del motor del ventilador por la cubierta acopladora, la cubierta de la carcasa y la carcasa, y luego por la bola/barra descendente. (Fig. 6)
5. Alinee los orificios de la parte inferior de la barra descendente con los orificios del aro en la parte superior de la carcasa del motor (Fig. 6). Con cuidado inserte el pivote de la abrazadera a través de los orificios del aro y de la barra descendente. Asegúrese de que el pivote no quede atascado con los cables en el interior de la barra descendente. Inserte el pasador de bloqueo en el orificio que se encuentra casi en la punta del pivote de la abrazadera hasta que quede trabado en posición, como se observa en el círculo insertado de la Fig. 6.
6. Ajuste dos tornillos de sujeción en la parte superior del motor del ventilador. (Fig. 6)
7. Deslice el dosel bajo hacia abajo en la parte superior de la parte superior del motor del ventilador. Apriete el tornillo de dosel bajo. (Fig. 6)
8. Coloque la bola de la barra descendente en el encastre del soporte de suspensión. Línea de la ranura de registro hasta la bola con gancho en la placa de montaje. (Fig. 7)

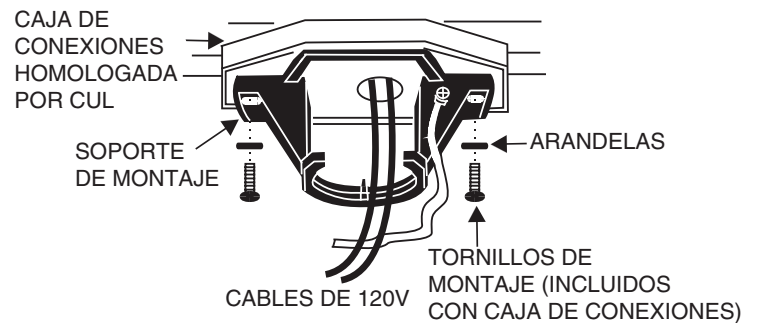


FIGURA 5

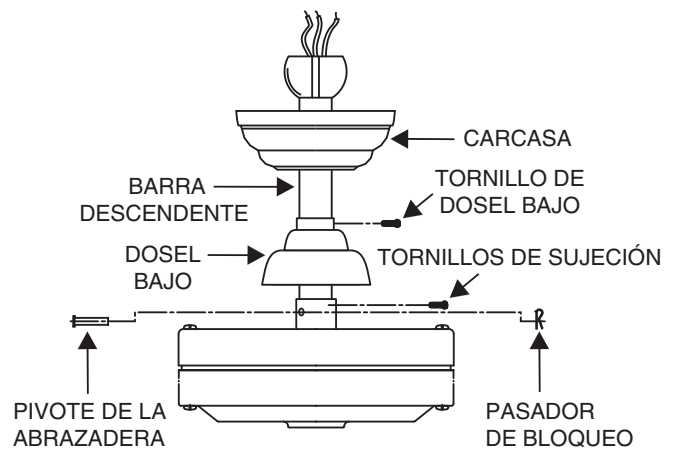


FIGURA 6

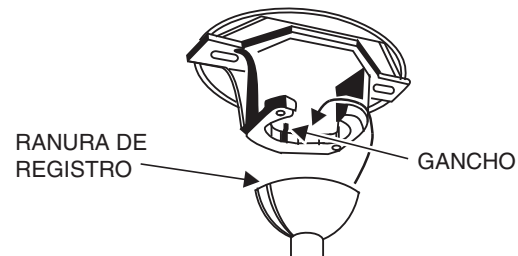


FIGURA 7

CABLEADO DE CONEXIÓN

Recuerde desconectar la alimentación eléctrica. Siga los pasos que se indican a continuación para conectar el ventilador a la instalación eléctrica de su edificio/facilidad. Utilice las tuercas para alambre suministradas con su ventilador. Sujete los conectores con cinta aislante. Asegúrese de que no haya hilos ni conexiones sueltos.

1. Conecte el cable de alimentación del ventilador (negro) y el cable de alimentación de luz (azul) al cable de alimentación de color negro de su instalación eléctrica, como se muestra en la Figura 8.
2. Conecte el cable neutro del ventilador (blanco) al cable neutro de color blanco de su instalación eléctrica.
3. Conecte el cable a tierra del ventilador (verde) con el cable a tierra de su edificio/facilidad.
4. Después de conectar los cables, sepárelos de manera que los cables de color verde y blanco queden a un lado de la caja de distribución y los cables de color negro y los azules queden del otro lado.
5. Gire las tuercas de conexión hacia arriba e introduzca los cables en la caja de distribución.

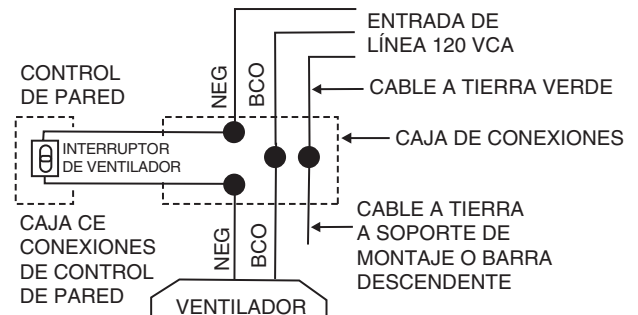


FIGURA 8

ADVERTENCIA: PARA REDUCIR EL RIESGO DE INCENDIO, DESCARGA ELÉCTRICA O LESIONES, SÓLO INSTALE EL VENTILADOR EN UNA CAJA DE DISTRIBUCIÓN O EN UN SISTEMA DE SOPORTE APTO PARA VENTILADOR.

TERMINACIÓN DE LA INSTALACIÓN

1. Introduzca las conexiones de forma ordenada en la caja de distribución del techo.
2. Deslice hacia arriba la carcasa al soporte de manera y asegúrelos apretando los dos tornillos de sujeción. (Fig. 9)
Nota: Ajuste los tornillos de la carcasa según sea necesario hasta que la carcasa y su cubierta queden bien ajustadas.

Advertencia: Antes de sujetar la carcasa al soporte, asegúrese de que la lengüeta en la parte inferior del soporte de suspensión calce bien en la ranura de la bola de la abrazadera. Si la lengüeta no calza bien en la ranura podría producir daños a la instalación eléctrica.

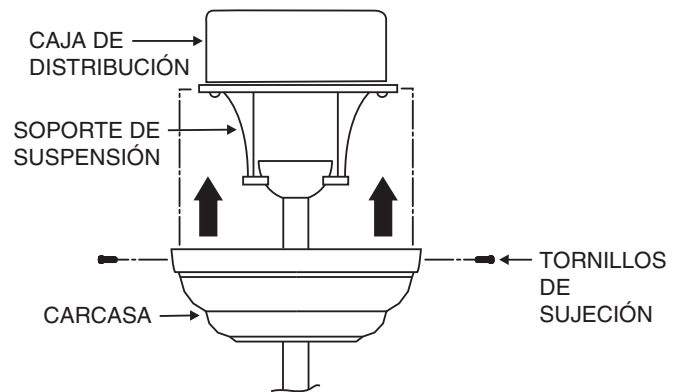


FIGURA 9

CONEXIÓN DE LAS PALETAS

1. Sujete el conjunto de paletas al motor con los tornillos suministrados. (Fig. 12)
2. Repita la operación para las dos paletas restantes.

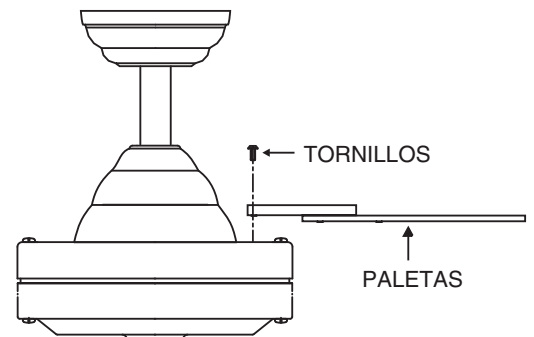


FIGURA 10

FUNCIONAMIENTO

Encienda la alimentación y verifique el funcionamiento de su ventilador.

MANTENIMIENTO

IMPORTANTE: ANTES DE INTENTAR HACER ALGUNA REPARACIÓN, ASEGÚRESE DE QUE LA ALIMENTACIÓN ELÉCTRICA ESTÉ APAGADA EN LA CAJA DEL TABLERO DE ELECTRICIDAD. CONSULTE LA SECCIÓN “CABLEADO DE CONEXIÓN”.

Debido al movimiento natural del ventilador, es probable que algunas conexiones se aflojen. Verifique las conexiones de sostén, los soportes y las sujeciones de las paletas dos veces al año. Asegúrese de que estén bien sujetas. (No es necesario retirar el ventilador del techo).

Limpie el ventilador de forma periódica para que se mantenga como nuevo con el paso de los años. Sólo utilice un cepillo suave o un trapo sin hilachos para no rayar el acabado. El recubrimiento está sellado con laca para minimizar la decoloración o el cambio de color. No utilice agua para limpiarlo. Esto podría dañar el motor o la madera o producir una descarga eléctrica.

Puede aplicar una ligera capa de lustramuebles a las paletas de madera para protegerlas y aumentar su belleza. Cubra los pequeños rayones con una ligera aplicación de lustre para zapatos.

No hay necesidad de engrasar el ventilador. El motor tienen cojinetes lubricados permanentemente.

SOLUCIÓN DE PROBLEMAS

El ventilador no se enciende.

1. Verifique los fusibles o los disyuntores.
2. Verifique las conexiones de los cables al ventilador y las conexiones del cable del interruptor en la carcasa de interruptores. **PRECAUCIÓN:** Asegúrese de que el interruptor principal de alimentación esté apagado.

El ventilador hace mucho ruido.

1. Asegúrese de que todos los tornillos de la carcasa del motor estén bien ajustados.
2. Asegúrese de que los tornillos que sujetan los soportes de las paletas al cubo del motor estén bien ajustados.
3. Asegúrese de que no haya fricción entre las conexiones de las tuercas para alambres o con la pared interior de la carcasa de interruptores. **PRECAUCIÓN:** Asegúrese de que el interruptor principal de alimentación esté apagado.
4. Deje pasar un período de 24 horas de “adaptación”. La mayoría de los ruidos de un ventilador nuevo desaparecen con el tiempo.
5. Los motores de algunos ventiladores son sensibles a las señales de dispositivos de control de velocidad variable con semiconductores. Si ha instalado este tipo de control, elija e instale otro tipo de control.
6. Asegúrese de que la carcasa superior quede a poca distancia del techo. No debe tocar el techo.

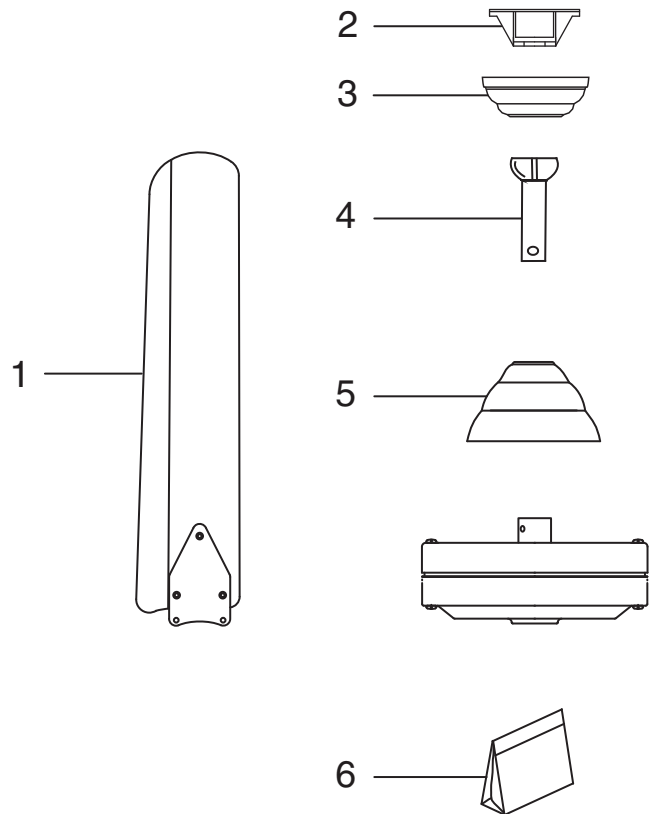
El ventilador se bambolea.

1. Verifique que todas las paletas y los tornillos de los brazos de las paletas estén bien ajustados.
2. La mayoría de los problemas de bamboleo se debe a que las paletas están desniveladas. Para verificar los niveles, seleccione un punto en el techo sobre la punta de una de las paletas. Mida esta distancia. Rote el ventilador hasta que la siguiente paleta quede posicionada en ese punto para medirla. Repita esta operación con cada una de las paletas. La desviación de distancia debe ser igual en un radio de 1/8” (0.3 cm).
3. Utilice el kit de nivelación de paletas si el bamboleo de las paletas continúa.
4. Si aún percibe el bamboleo de las paletas, puede intercambiar dos paletas adyacentes (lado a lado) para redistribuir el peso y obtener un funcionamiento más suave.

ADVERTENCIA: PARA REDUCIR EL RIESGO DE LESIONES, NO DOBLE LOS BRAZOS DE LAS PALETAS AL INSTALARLAS, NIVELARLAS O AL LIMPIAR EL VENTILADOR. NO INSERTE OBJETOS EXTRAÑOS ENTRE LAS PALETAS DEL VENTILADOR MIENTRAS ESTÉN ROTANDO.

PIEZAS DE SERVICIO

CLAVE	Nº DE PIEZA	DESCRIPCIÓN
1	S77000972	JUEGO DE PALETAS (INCLUYE 3) (CFC56WH)
	S77000973	JUEGO DE PALETAS (INCLUYE 3) (CFC56BR)
2	S77000981	SOPORTE DE MONTAJE
3	S77000974	CARCASA (CFC56WH)
	S77000975	CARCASA (CFC56BR)
4	S77000979	BARRA DESCENDENTE CON BOLA DE 6" (CFC56WH)
	S77000980	BARRA DESCENDENTE CON BOLA DE 6" (CFC56BR)
5	S77000976	CUBIERTA DE ACOPLAMIENTO (CFC56WH)
	S77000977	CUBIERTA DE ACOPLAMIENTO (CFC56BR)
6	S77000978	BOLSA DE PIEZAS



GARANTÍA

Ventiladores de techo y accesorios NuTone Garantía limitada

PERIODO DE GARANTÍA: NuTone garantiza al consumidor comprador original de sus ventiladores de techo y accesorios NuTone que estarán libres de defectos en materiales o mano de obra durante un período de un (1) año a partir de la fecha de la compra original. Esta garantía no cubre los globos de vidrio ni las bombillas incluidos con los juegos de luces.

El periodo de garantía limitada para las piezas de repuesto y para los ventiladores reparados o reemplazados bajo esta garantía limitada continuará durante el resto del periodo de garantía original.

NO HAY OTRAS GARANTÍAS: LAS GARANTÍAS ANTERIORES SON EXCLUSIVAS Y EN LUGAR DE CUALQUIER OTRA GARANTÍA, EXPRESA O IMPLÍCITA, NUTONE NIEGA Y EXCLUYE CUALQUIER OTRA GARANTÍA EXPRESA, Y NIEGA Y EXCLUYE TODAS LAS GARANTÍAS IMPLÍCITAS POR LEY, INCLUYENDO, SIN LIMITACIONES, LAS DE COMERCIALIZACIÓN Y APTITUD PARA UN PROPÓSITO EN PARTICULAR. HASTA EL GRADO QUE LA LEY APLICABLE PROHIBA LA EXCLUSIÓN DE GARANTÍAS LIMITADAS, LA DURACIÓN DE CUALQUIER GARANTÍA IMPLÍCITA APLICABLE ESTÁ LIMITADA AL PERIODO ESPECIFICADO PARA LA GARANTÍA EXPRESA. Algunos estados no permiten limitaciones en la duración de una garantía implícita, así que la limitación anterior tal vez no aplique en su caso. Cualquier descripción verbal o escrita del ventilador es para el único propósito de identificarlo y no deberá considerarse como una garantía expresa.

REMEDIO: Durante el periodo de garantía limitada aplicable, NuTone, a su opción, suministrará piezas de repuesto, o reparará o reemplazará, sin cargo alguno, cualquier ventilador o pieza, hasta el grado en que NuTone lo encuentre cubierto bajo esta garantía limitada y en incumplimiento de la misma. NuTone le enviará el ventilador reparado o reemplazado o las piezas de repuesto sin cargo. Usted es responsable de todos los costos de retiro, reinstalación y envío, seguro u otros cargos de flete incurridos en el envío del ventilador o la pieza a NuTone. Esta garantía no cubre (a) mantenimiento y servicio normal, (b) uso y desgaste normal, (c) ventiladores o piezas sujetos a mal uso, abuso, uso anormal, negligencia, accidente, mantenimiento inadecuado o insuficiente, almacenamiento o reparación (que no sea reparación por parte de NuTone), (d) daños causados por instalación defectuosa, o bien instalación o uso contrario a las recomendaciones o instrucciones, (e) cualquier ventilador que se haya movido de su punto de instalación original, (f) daños ocasionados por el medio ambiente o los elementos naturales, (g) daños en tránsito, (h) el acabado de cualquier parte metálica del ventilador o el accesorio, (i) ventiladores en uso comercial o no residencial, o (j) daños ocasionados por incendio, inundación u otro caso fortuito. Esta garantía cubre únicamente los ventiladores vendidos en Estados Unidos o a través de distribuidores de EE.UU. autorizados por NuTone.

EXCLUSIÓN DE DAÑOS: LA OBLIGACIÓN DE NUTONE DE SUMINISTRAR PIEZAS DE REPUESTO, O DE REPARAR O REEMPLAZAR, A OPCIÓN DE NUTONE, SERÁ SU ÚNICO Y EXCLUSIVO REMEDIO BAJO ESTA GARANTÍA LIMITADA, Y LA ÚNICA Y EXCLUSIVA OBLIGACIÓN DE NUTONE. NUTONE NO SERÁ RESPONSABLE POR DAÑOS INCIDENTALES, INDIRECTOS, RESULTANTES O ESPECIALES QUE SURJAN POR EL USO O DESEMPEÑO DEL VENTILADOR, O EN RELACIÓN CON EL MISMO. Los daños incidentales incluyen, entre otros, daños como la pérdida de tiempo y la pérdida de uso. Los daños resultantes incluyen, entre otros, el costo de reparar o reemplazar otros bienes que fueran dañados si el ventilador no funcionara adecuadamente.

Algunos estados no permiten la exclusión o limitación de daños incidentales o resultantes, por lo que la limitación antes mencionada podría no aplicarse a usted. Esta garantía le otorga derechos legales específicos, y usted podría tener otros derechos que varían de un estado a otro.

Esta garantía sustituye todas las garantías anteriores y no es transferible del comprador consumidor original.

NUTONE NO SERÁ RESPONSABLE ANTE USTED, O ANTE NADIE QUE RECLAME POR USTED, DE NINGUNA OTRA OBLIGACIÓN O RESPONSABILIDAD QUE INCLUYEN, ENTRE OTRAS, OBLIGACIONES O RESPONSABILIDADES QUE SURJAN POR INCUMPLIMIENTO DE CONTRATO O GARANTÍA, NEGLIGENCIA U OTRO ACTO ILÍCITO O CUALQUIER TEORÍA DE RESPONSABILIDAD ESTRUCTA, CON RESPECTO AL VENTILADOR O A LOS ACTOS U OMISIONES DE NUTONE O DE CUALQUIER OTRA ÍNDOLE.

Esta garantía cubre únicamente el reemplazo o la reparación de ventiladores o piezas defectuosas en la planta principal de NuTone, y no incluye el costo del viaje para el servicio de campo ni los viáticos.

Cualquier asistencia que proporcione o procure NuTone para usted fuera de los términos, limitaciones o exclusiones de esta garantía limitada no constituirá una renuncia a dichos términos, limitaciones o exclusiones, ni dicha asistencia extenderá o renovará la garantía.

NuTone no le reembolsará ningún gasto en el que usted haya incurrido al reparar o reemplazar cualquier ventilador defectuoso, excepto los incurridos con el permiso previo por escrito de NuTone.

CÓMO OBTENER EL SERVICIO CUBIERTO POR LA GARANTÍA: Para tener derecho al servicio cubierto por la garantía, usted debe (a) notificar a NuTone a la dirección o número de teléfono que aparecen abajo en un plazo de siete (7) días después de descubrir el defecto cubierto, (b) proporcionar el número de modelo y la identificación de la pieza y (c) describir la naturaleza de cualquier defecto en el ventilador o la pieza. En el momento de solicitar el servicio cubierto por la garantía, debe presentar un comprobante de la fecha original de compra.

Broan-NuTone LLC, 926 West State Street, Hartford, WI 53027 (888-336-6151)

Si debe enviar el ventilador o la pieza a NuTone, tal como lo indique NuTone, debe empaquetar adecuadamente el ventilador o la pieza; NuTone no se hace responsable por los daños en tránsito.