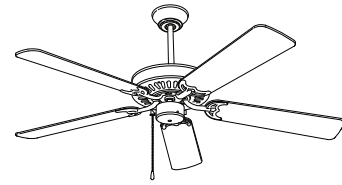


OUTDOOR, WET-RATED CEILING FANS



Page 1

READ AND SAVE THESE INSTRUCTIONS

WARNING

TO REDUCE THE RISK OF FIRE, ELECTRICAL SHOCK, OR INJURY TO PERSONS, OBSERVE THE FOLLOWING:

1. Use this unit only in the manner intended by the manufacturer. If you have questions, contact the manufacturer at the address or telephone number listed in the warranty.
2. Before servicing or cleaning unit, or installing a light kit, switch power off at service panel and lock service panel to prevent power from being switched on accidentally. When the service disconnecting means cannot be locked, securely fasten a prominent warning device, such as a tag, to the service panel.
3. Installation work and electrical wiring must be done by a qualified person(s) in accordance with all applicable codes and standards, including fire-rated construction codes and standards.
4. When cutting or drilling into wall or ceiling, do not damage electrical wiring and other hidden utilities.
5. This unit must be grounded.
6. Do not use this fan with any solid-state fan speed control device.
7. Most outlet boxes commonly used for the support of lighting fixtures are not acceptable for fan support and may need to be replaced, consult a qualified electrician if in doubt.

Use only UL Listed outlet boxes marked "FOR FAN SUPPORT". The outlet box and support structure must be securely mounted and capable of reliably supporting a minimum of 50 pounds. Use only the two steel screws (and lock washers) provided with the outlet box for mounting the ceiling fan to the outlet box. The outlet box must not twist or work loose. **DO NOT USE PLASTIC OUTLET BOXES.**

8. Use only with light kit marked "SUITABLE FOR USE IN WET LOCATIONS".
9. Damp-rated light kits can be used with this fan ONLY if fan is mounted in damp or dry location. Consult with a qualified electrician if in doubt.
10. After marking electrical connections, spliced conductors should be turned upward and pushed carefully up into outlet box. The wires should be spread apart with the grounded conductor and the equipment-grounding conductor on one side of the outlet box.
11. Electrical diagrams are for reference only. Light kits that are not packed with the fan must be UL Listed and marked suitable for use with the model fan you are installing. Switches must be UL General Use Switches. Refer to the instructions packaged with the light kits and switches for proper assembly.
12. After installation is complete, make sure that all connections are secure to prevent the fan from falling. Make sure all wire connections are secure, and that there are no exposed conductor strands.
13. Do not use water or detergents when cleaning the fan or fan blades. A dry dust cloth or lightly dampened cloth will be suitable for most cleaning.

CAUTION

TO REDUCE THE RISK OF PERSONAL INJURY, OBSERVE THE FOLLOWING:

1. To avoid motor bearing damage and noisy and/or unbalanced impellers, keep drywall spray, construction dust, etc. off power unit.
2. The fan must be mounted with at least 7 feet of clearance between fan blades and floor.
3. Make sure that your installation will not allow the fan to come into contact with any adjacent obstacles such as doors, hanging lamps, etc.
4. If you are installing more than one ceiling fan, do not mix the blade sets.
5. Do not bend the blade brackets.
6. Do not operate reversing switch while fan blades are in motion. Fan must be turned off and blades stopped before reversing blade direction.
7. Do not insert objects in between rotating fan blades.
8. Be careful when working around or cleaning the fan.
9. Please read specification label on product for further information and requirements.

WEIGHT OF FAN

The weight of your fan is 17.8 lbs. The weights of light kits, down rods, and ceiling adapters are listed in the instructions packed with those accessories.

INSTALLER:
Leave this manual with the homeowner.

HOMEOWNER:
Use and care instructions on pages 7 & 8.

CONTENTS

Unpack your fan and check the contents. You should have the following items:

- A - Blade Set (5)
 - B - Bracket
 - C - Canopy
 - D - Rubber Ball Cover
 - E - Downrods (2 - short & long)
 - F - Rubber Yoke Cover
 - G - Fan Motor Assembly
 - H - Blade Bracket Set (5)
 - I - Hardware Package
(Note: Package may contain extra hardware.)
- Pull Chain and Fob

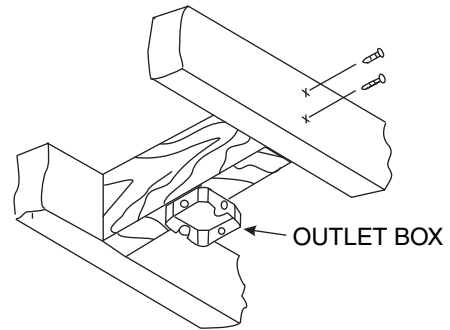
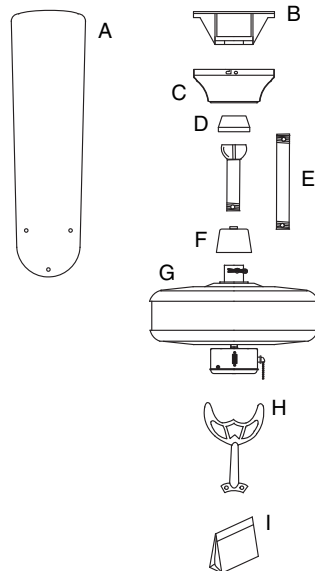


FIGURE 1

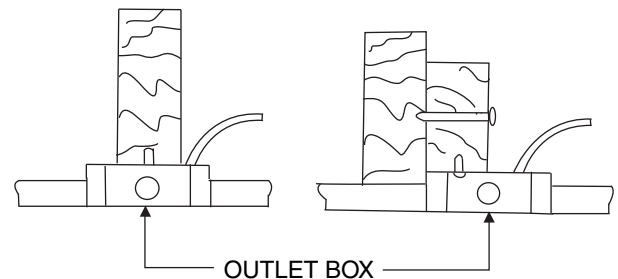
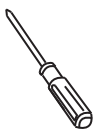


FIGURE 2

TOOLS & MATERIALS REQUIRED



PHILLIPS SCREW DRIVER



FLAT BLADE SCREW DRIVER



STEP LADDER



WIRE CUTTER

MOUNTING OPTIONS

If there isn't an existing UL listed mounting box, then read the following instructions. Disconnect the power by removing fuses or turning off circuit breakers.

Secure the outlet box directly to the building structure. Use appropriate fasteners and building materials. The outlet box and its support must be able to fully support the moving weight of the fan (at least 50 lbs). Do not use plastic outlet boxes.

Figures 1,2 and 3 are examples of different ways to mount the outlet box.

Note: You may need a longer downrod to maintain proper blade clearance when installing on a steep, sloped ceiling. (Fig. 3)

To hang your fan where there is an existing fixture but no ceiling joist, you may need an installation hanger bar as shown in Figure 4.

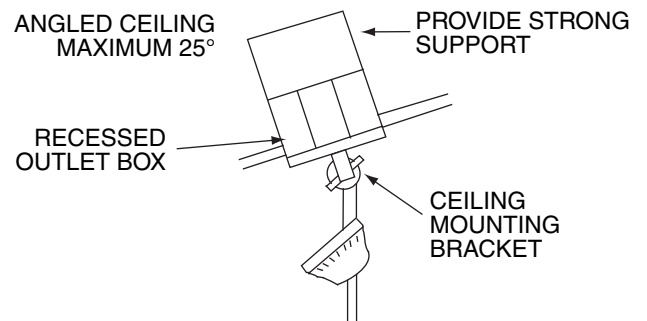


FIGURE 3

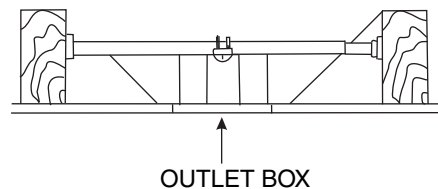


FIGURE 4

INSTALL THE FAN

NOTE: This ceiling fan is supplied with long and short downrods. Use the long downrod for standard ceiling heights. Use the short downrod in rooms with less than 8-foot ceilings or in areas where additional space is desired from the floor to the fan blades.

1. Pass the 120-volt supply wires through the center hole in the ceiling hanger bracket as shown in Fig. 5.
2. Secure the hanger bracket to the ceiling outlet box with the screws and washers provided with your outlet box.
3. Remove the hanger pin, lock pin and set screws from the downrod assembly.
4. Route wires exiting from the top of the fan motor through the canopy and then through the ball/downrod and rubber ball cover. (Fig. 6)
5. Align the holes at the bottom of the downrod with the holes in the collar on top of the motor housing. Carefully insert the hanger pin through the holes in the collar and downrod. Be careful not to jam the pin against the wiring inside the downrod. Insert the lock pin through the hole near the end of the hanger pin until it snaps into its locked position. (Fig. 6)
6. Tighten two set screws on top of the fan motor firmly.
7. Place the downrod ball into the hanger bracket socket. This will allow you to make the electrical connections. (Fig. 7)

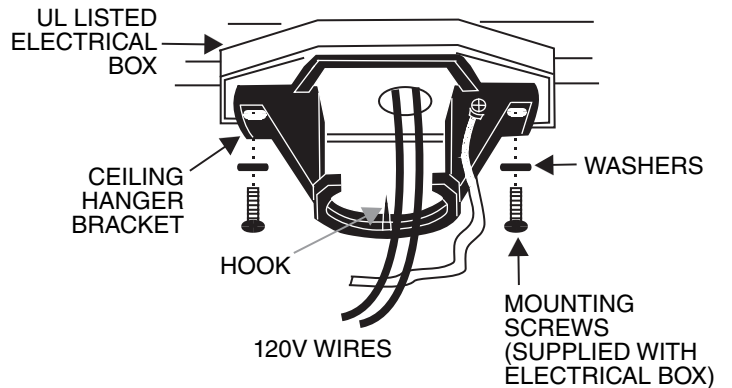


FIGURE 5

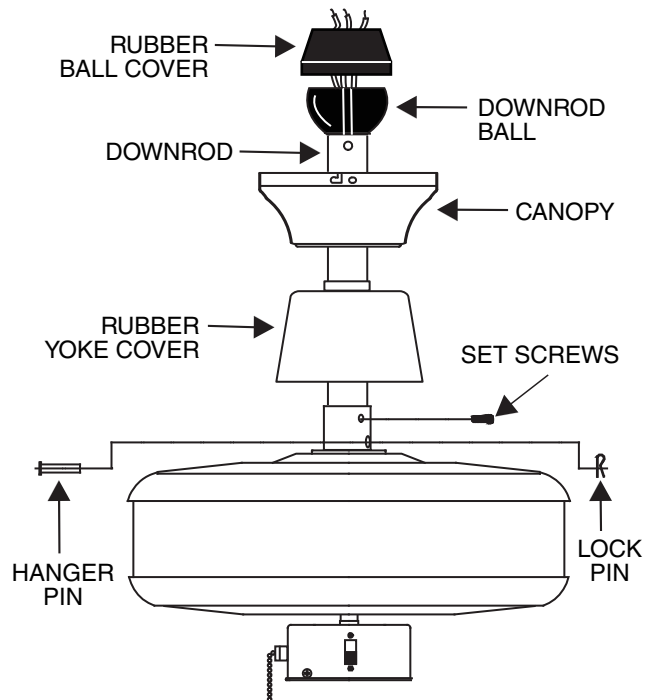


FIGURE 6

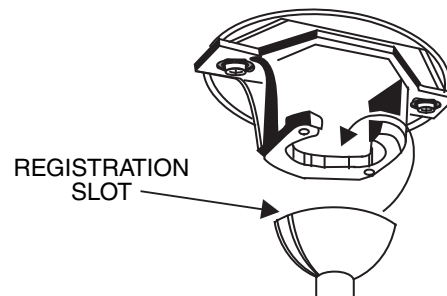


FIGURE 7

CONNECT WIRING

Remember to disconnect the power. Follow the steps below to connect the fan to your household wiring. Use the wire nuts supplied with your fan. Secure the connectors with electrical tape. Make sure there are no loose strands or connections.

IF INSTALLING OPTIONAL LIGHT KIT, REFER TO INSTRUCTIONS INCLUDED WITH LIGHT KIT.

1. Connect the fan supply (black) wire and light supply (blue) wire to the black household supply wire as shown in Figure 8.
2. Connect the neutral fan (white) wire to the white neutral household wire.
3. Connect the fan ground wire (green) to the household ground wire.
4. After connecting the wires, spread them apart so that the green and white wires are on one side of the outlet box and the black and the blue wires are on the other side.
5. Turn the connecting nuts upward and push the wiring into the outlet box.

Figures 9 and 10 illustrate the wiring connections for optional wall control (The wire color out of wall control may vary, see wall control's installation manual for correct wire connections.)

WARNING: TO REDUCE THE RISK OF FIRE, ELECTRIC SHOCK, OR OTHER PERSONAL INJURY, MOUNT FAN ONLY ON AN OUTLET BOX OR SUPPORTING SYSTEM MARKED ACCEPTABLE FOR FAN SUPPORT.

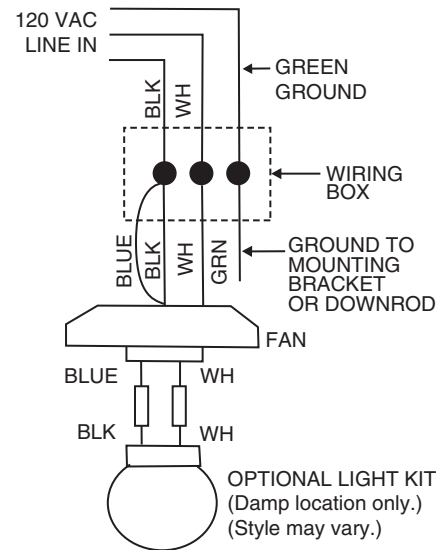


FIGURE 8

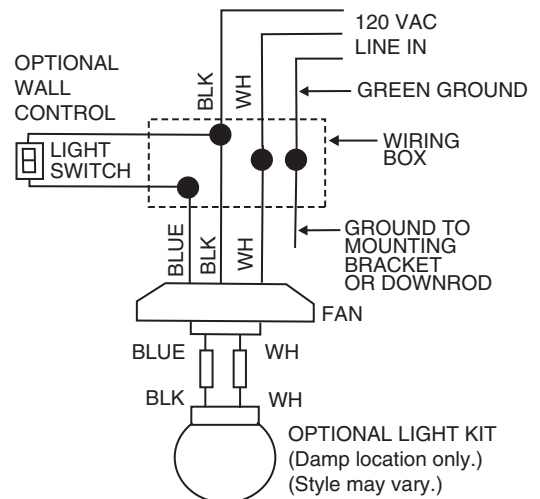


FIGURE 9

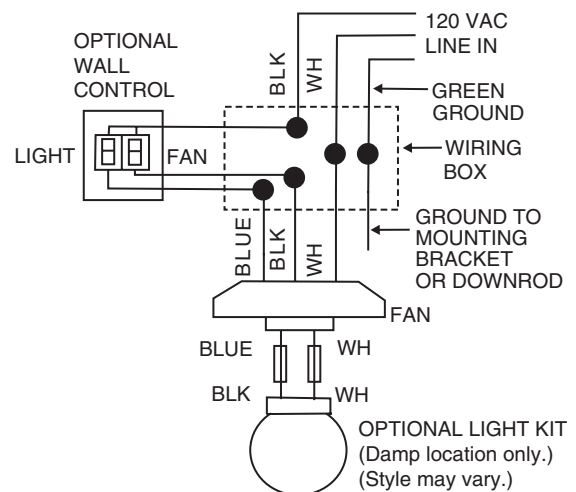


FIGURE 10

FINISH INSTALLATION

1. Slide canopy up to the ceiling as shown in Figure 11. Make sure you place the wires safely into the outlet box.
2. Secure the canopy to the hanger bracket with the four screws with your fan.

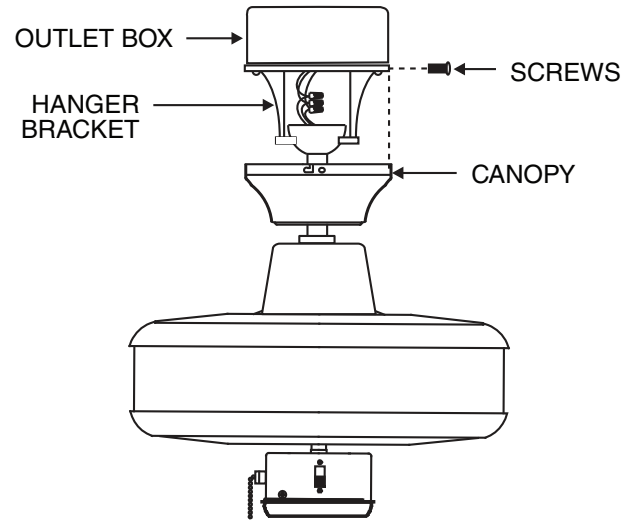


FIGURE 11

ATTACH FAN BLADES

Caution: Remove 5 rubber packing mounts and discard before installation.

Your fan is equipped with 2-sided reversible blades (except Model CFO52BQ). Select the finish and install the blade brackets over the side of the blades that will be visible.

1. Attach the blade to the blade bracket using the screws and fiber washers as shown in Figure 12. Start screw into bracket. Repeat for the two remaining screws.
2. Tighten each screw. Make sure the blade is straight.
3. Fasten blade assembly to motor using the screws supplied. (Fig. 12)
4. Attach decorative fob to pull chain.

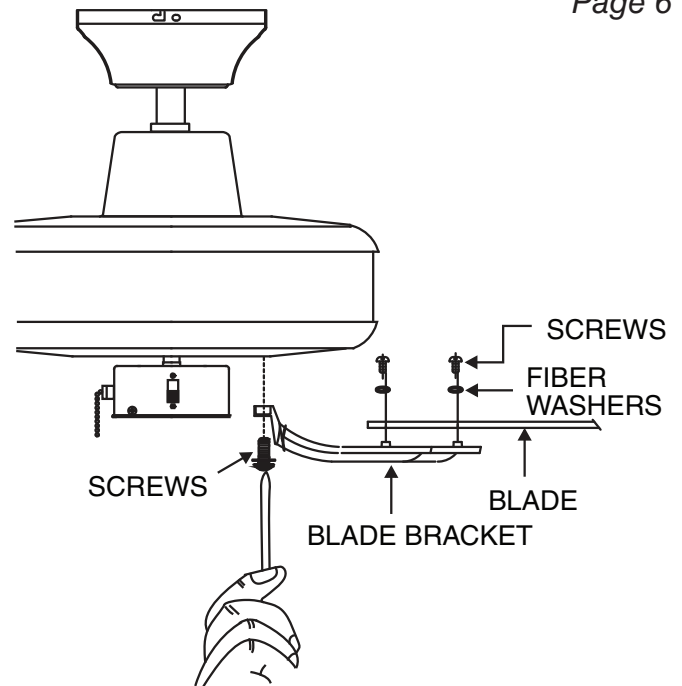


FIGURE 12

OPERATION

Turn on the power and check the operation of your fan.

3-SPEED PULL CHAIN

Controls the fan speed as follows: 1 pull - High, 2 pulls - Medium, 3 pulls - Low, and 4 pulls - Off.

Speed settings for warm or cool weather depend on factors such as the room size, ceiling height, and number of fans.

SLIDE SWITCH

Controls directions: forward (switch down) or reverse (switch up).

NOTE: Wait for fan to stop before changing the setting of the slide switch.

Warm weather - (Forward) A downward airflow creates a cooling effect as shown in Fig. 13. This allows you to set your air conditioner on a warmer setting without affecting your comfort.

Cool weather - (Reverse) An upward airflow moves warm air off the ceiling area as shown in Fig. 14. This allows you to set your heating unit on a cooler setting without affecting your comfort.

WALL SWITCH (OPTIONAL)

Your fan is also designed to operate with a wall switch (sold separately). Refer to wall switch instructions for installation and wiring information.

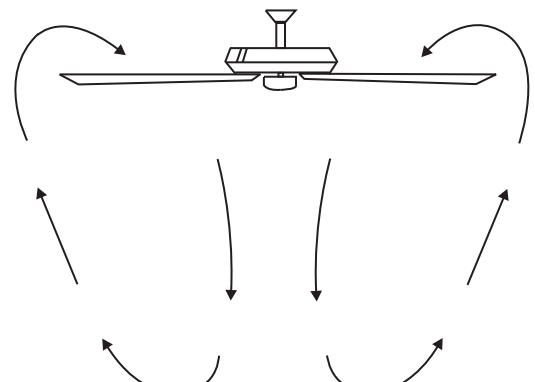


FIGURE 13

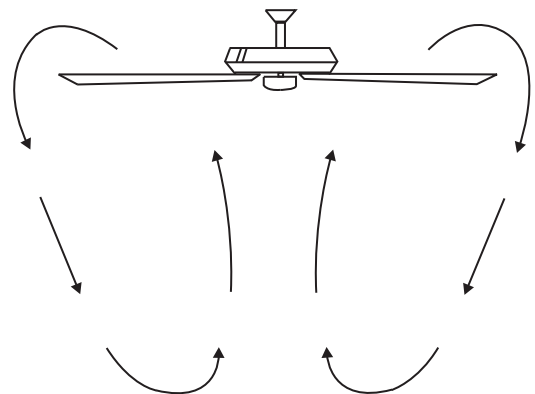


FIGURE 14

MAINTENANCE

IMPORTANT: MAKE SURE THE POWER IS OFF AT THE ELECTRICAL PANEL BOX BEFORE YOU ATTEMPT ANY REPAIRS. REFER TO THE SECTION "CONNECT WIRING".

Because of the fan's natural movement, some connections may become loose. Check the support connections, brackets, and blade attachments twice a year. Make sure they are secure. (It is not necessary to remove fan from ceiling.)

Clean your fan periodically to help maintain its new appearance over the years. Use only a soft brush or lint-free cloth to avoid scratching the finish. The plating is sealed with a lacquer to minimize discoloration or tarnishing. Do not use water when cleaning. This could damage the motor, or the wood, or possibly cause an electrical shock.

You can apply a light coat of furniture polish to the wood blades for additional protection and enhanced beauty. Cover small scratches with a light application of shoe polish.

There is no need to oil your fan. The motor has permanently lubricated bearings.

TROUBLESHOOTING

Fan will not start.

1. Check circuit fuses or breakers.
2. Check line wire connections to the fan and switch wire connections in the switch housing. CAUTION: Make sure main power is off.

Fan sounds noisy.

1. Make sure all motor housing screws are snug.
2. Make sure the screws that attach the fan blade bracket to the motor hub is tight.
3. Make sure wire nut connections are not rubbing against each other or the interior wall of the switch housing. CAUTION: Make sure main power is off.
4. Allow a 24-hour "breaking-in" period. Most noise associated with a new fan disappear during this time.
5. If using an optional light kit, make sure the screws securing the glassware are tight. Check that the light bulb is also secure.
6. Some fan motors are sensitive to signals from solid-state variable speed controls. If you have installed this type of control, choose and install another type of control.
7. Make sure the upper canopy is a short distance from the ceiling. It should not touch the ceiling.

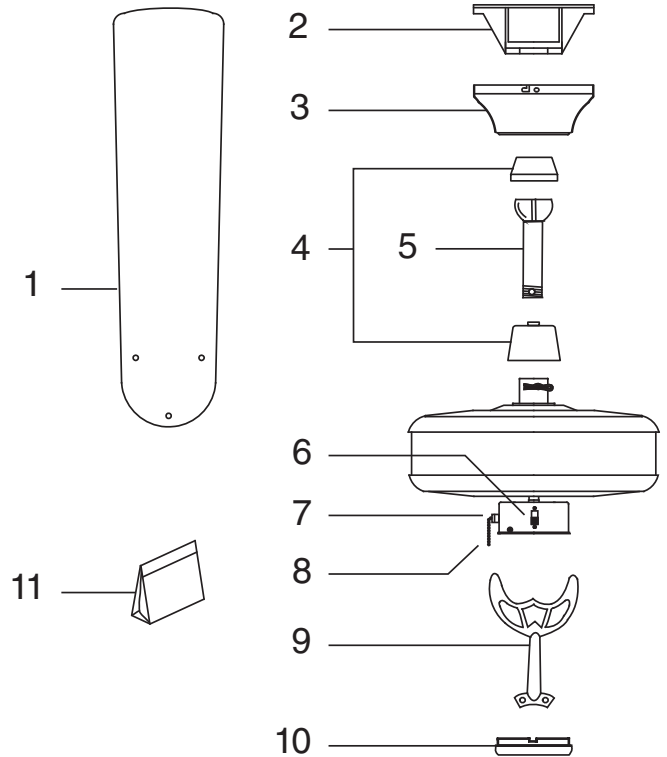
Fan wobbles.

1. Check that all blade and blade arm screws are secure.
2. Most fan wobbling problems are caused when blade levels are unequal. Check this level by selecting a point on the ceiling above the tip of one of the blades. Measure this distance. Rotate the fan until the next blade is positioned for measurement. Repeat for each blade. The distance deviation should be equal within 1/8".
3. Use the enclosed Blade Balancing Kit if the blade wobble is still noticeable.
4. If the blade wobble is still noticeable, interchanging two adjacent (side by side) blades can redistribute the weight and possibly result in smoother operation.

WARNING: TO REDUCE THE RISK OF PERSONAL INJURY, DO NOT BEND THE BLADE ARM WHILE INSTALLING, BALANCING THE BLADES, OR CLEANING THE FAN. DO NOT INSERT FOREIGN OBJECTS BETWEEN ROTATING FAN BLADES.

SERVICE PARTS

KEY	PART NO.	DESCRIPTION
1	S77000898	BLADE SET (CONTAINS 5) (CFO52WH)
	S77000899	BLADE SET (CONTAINS 5) (CFO52WB)
	S77000900	BLADE SET (CONTAINS 5) (CFO52BQ)
2	S77000885	MOUNTING BRACKET
3	S77000886	CANOPY (CFO52WH)
	S77000887	CANOPY (CFO52WB)
	S77000888	CANOPY (CFO52BQ)
4	S79100024	RUBBER YOKE COVER & BALL COVER - WHITE
	S79100025	RUBBER YOKE COVER & BALL COVER - BLACK
5	S77000889	DOWNROD W/BALL, 4" (CFO52WH)
	S77000890	DOWNROD W/BALL, 4" (CFO52WB)
	S77000891	DOWNROD W/BALL, 4" (CFO52BQ)
	S77000892	DOWNROD W/BALL, 6" (CFO52WH)
	S77000893	DOWNROD W/BALL, 6" (CFO52WB)
	S77000894	DOWNROD W/BALL, 6" (CFO52BQ)
6	S77000919	REVERSING SWITCH, 7 WIRES, WHITE
	S77000920	REVERSING SWITCH, 7 WIRES, BLACK
7	S77000921	PULL CHAIN SWITCH, POLISHED BRASS CHAIN
	S77000922	PULL CHAIN SWITCH, CHROME CHAIN
	S77000923	PULL CHAIN SWITCH, GUNMETAL CHAIN
	S77000924	PULL CHAIN SWITCH, STAINLESS CHAIN
8	S77000929	WOOD BEAD W/CHAIN, STAINLESS CHAIN
9	S77000895	BLADE BRACKET SET (CONTAINS 5) (CFO52WH)
	S77000896	BLADE BRACKET SET (CONTAINS 5) (CFO52WB)
	S77000897	BLADE BRACKET SET (CONTAINS 5) (CFO52BQ)
10	S77000904	COVER SWITCH (CFO52WH)
	S77000905	COVER SWITCH (CFO52WB)
	S77000906	COVER SWITCH (CFO52BQ)
11	S77000901	PARTS BAG (CFO52WH)
	S77000902	PARTS BAG (CFO52WB)
	S77000903	PARTS BAG (CFO52BQ)
*	S77000925	CAPACITOR (Not Shown)



WARRANTY

NuTone Energy Star Ceiling Fans Limited Warranty

WARRANTY PERIOD: NuTone warrants to the original consumer purchaser of its NuTone Energy Star Ceiling Fan (the "Fan") that (a) the motor in your Fan will be materially free from defects in materials or workmanship for a period of thirty (30) years from the date of original purchase, and (b) other components of the Fan, including electronic controls used in conjunction with the motor, will be materially free from defects in materials or workmanship for a period of one (1) year from the date of original purchase. This warranty does not cover accessories, such as light kits, that may be purchased separately and installed with the Fan.

The limited warranty period for replacement parts, and for Fans repaired or replaced under this limited warranty, shall continue for the remainder of the original warranty period.

NO OTHER WARRANTIES: THE FOREGOING WARRANTIES ARE EXCLUSIVE AND IN LIEU OF ANY OTHER WARRANTIES, EXPRESS OR IMPLIED. NUTONE DISCLAIMS AND EXCLUDES ALL OTHER EXPRESS WARRANTIES, AND DISCLAIMS AND EXCLUDES ALL WARRANTIES IMPLIED BY LAW, INCLUDING WITHOUT LIMITATION THOSE OF MERCHANTABILITY AND FITNESS FOR A PARTICULAR PURPOSE. TO THE EXTENT THAT APPLICABLE LAW PROHIBITS THE EXCLUSION OF IMPLIED WARRANTIES, THE DURATION OF ANY APPLICABLE IMPLIED WARRANTY IS LIMITED TO THE PERIOD SPECIFIED FOR THE EXPRESS WARRANTY. Some states do not allow limitations on how long an implied warranty lasts, so the above limitation may not apply to you. Any oral or written description of the Fan is for the sole purpose of identifying it and shall not be construed as an express warranty.

REMEDY: During the applicable limited warranty period, NuTone will, at its option, provide replacement parts for, or repair or replace, without charge, any Fan or part thereof, to the extent NuTone finds it to be covered by and in breach of this limited warranty. NuTone will ship the repaired or replaced Fan or replacement parts to you at no charge. You are responsible for all costs for removal, reinstallation and shipping, insurance or other freight charges incurred in the shipment of the Fan or part to NuTone. This warranty does not cover (a) normal maintenance and service, (b) normal wear and tear, (c) any Fans or parts which have been subject to misuse, abuse, abnormal usage, negligence, accident, improper or insufficient maintenance, storage or repair (other than repair by NuTone), (d) damage caused by faulty installation, or installation or use contrary to recommendations or instructions, (e) any Fan that has been moved from its original point of installation, (f) damage caused by environmental or natural elements, (g) damage in transit, (h) finish on any metal portion of the fan or accessory, (i) Fans in commercial or nonresidential use, or (j) damage caused by fire, flood or other act of God. This warranty covers only Fans sold in the United States or through U.S. distributors authorized by NuTone.

EXCLUSION OF DAMAGES: NUTONE'S OBLIGATION TO PROVIDE REPLACEMENT PARTS, OR REPAIR OR REPLACE, AT NUTONE'S OPTION, SHALL BE YOUR SOLE AND EXCLUSIVE REMEDY UNDER THIS LIMITED WARRANTY AND NUTONE'S SOLE AND EXCLUSIVE OBLIGATION. NUTONE SHALL NOT BE LIABLE FOR INCIDENTAL, INDIRECT, CONSEQUENTIAL OR SPECIAL DAMAGES ARISING OUT OF OR IN CONNECTION WITH THE FAN, ITS USE OR PERFORMANCE. Incidental damages include but are not limited to such damages as loss of time and loss of use. Consequential damages include but are not limited to the cost of repairing or replacing other property which was damaged if the Fan does not work properly.

Some states do not allow the exclusion or limitation of incidental or consequential damages, so the above limitation or exclusion may not apply to you. This warranty gives you specific legal rights, and you may also have other rights, which vary from state to state.

This warranty supersedes all prior warranties and is not transferable from the original consumer purchaser.

NUTONE SHALL NOT BE LIABLE TO YOU, OR TO ANYONE CLAIMING UNDER YOU, FOR ANY OTHER OBLIGATIONS OR LIABILITIES, INCLUDING, BUT NOT LIMITED TO, OBLIGATIONS OR LIABILITIES ARISING OUT OF BREACH OF CONTRACT OR WARRANTY, NEGLIGENCE OR OTHER TORT OR ANY THEORY OF STRICT LIABILITY, WITH RESPECT TO THE FAN OR NUTONE'S ACTS OR OMISSIONS OR OTHERWISE.

This warranty covers only replacement or repair of defective Fans or parts thereof at NuTone's main facility and does not include the cost of field service travel and living expenses.

Any assistance NuTone provides to or procures for you outside the terms, limitations or exclusions of this limited warranty will not constitute a waiver of such terms, limitations or exclusions, nor will such assistance extend or revive the warranty.

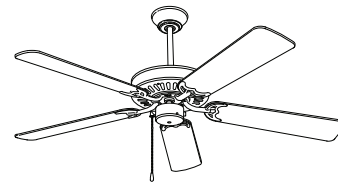
NuTone will not reimburse you for any expenses incurred by you in repairing or replacing any defective Fan, except for those incurred with NuTone's prior written permission.

HOW TO OBTAIN WARRANTY SERVICE: To qualify for warranty service, you must (a) notify NuTone at the address or telephone number stated below within seven (7) days of discovering the covered defect, (b) give the model number and part identification and (c) describe the nature of any defect in the Fan or part. At the time of requesting warranty service, you must present evidence of the original purchase date.

Broan-NuTone LLC, 926 West State Street, Hartford, WI 53027 (888-336-6151)

If you must send the Fan or part to NuTone, as instructed by NuTone, you must properly pack the Fan or part—NuTone is not responsible for damage in transit.

VENTILADORES DE TECHO PARA EXTERIORES RESISTENTES AL MOJADO



Página 10

LEA Y GUARDE ESTAS INSTRUCCIONES

ADVERTENCIA

PARA REDUCIR EL RIESGO DE INCENDIO, DESCARGA ELÉCTRICA O LESIONES, SIGA LAS INDICACIONES QUE SE ENUMERAN A CONTINUACIÓN:

1. Utilice esta unidad sólo de la forma indicada por el fabricante. Si desea realizar consultas, comuníquese con el fabricante a la dirección o al número de teléfono que aparece en la garantía.
2. Antes de realizar tareas de mantenimiento, limpie la unidad o instale un kit de iluminación, apague el interruptor de electricidad desde el panel de servicio y bloquee el panel de servicio para evitar que alguien conecte la electricidad por accidente. Cuando el sistema de desconexión de servicio no se pueda bloquear, coloque en el panel de servicio un elemento de advertencia que se destaque, como por ejemplo una etiqueta.
3. El trabajo de instalación y cableado eléctrico deberá hacerlo una persona calificada conforme a todos los códigos y estándares vigentes, incluidos los códigos y los estándares de clasificación ignífuga para construcciones.
4. Al cortar o perforar en una pared o techo, no dañe el cableado eléctrico ni otros servicios no visibles.
5. Esta unidad debe estar conectada a tierra.
6. No utilice este ventilador con ningún dispositivo de control de velocidad de ventiladores con semiconductores.
7. La mayoría de las cajas de distribución utilizadas para aparatos de luz no son admisibles para ventiladores y probablemente deban ser reemplazadas. En caso de duda, consulte a un electricista calificado. Sólo utilice cajas de distribución homologadas por UL y que indiquen "FOR FAN SUPPORT" (Para ventiladores). La caja de distribución y la estructura de soporte deben quedar firmemente instaladas y deben soportar un peso mínimo de 50 libras (22.7 kg). Sólo utilice los dos tornillos de acero (y las arandelas de seguridad) incluidos con la caja de distribución para instalar el ventilador de techo a la caja de distribución. La caja de distribución no debe quedar torcida ni suelta al estar en funcionamiento. NO UTILICE CAJAS DE DISTRIBUCIÓN DE PLÁSTICO.
8. Sólo utilice kits de iluminación que indiquen "SUITABLE FOR USE IN WET LOCATIONS". (Apto para utilizarlo en lugares húmedos).
9. Juegos de luces resistentes al húmedo se pueden utilizar con este ventilador SÓLO si el ventilador está montado en un lugar húmedo o seco. Consulte a un electricista calificado si tiene dudas.
10. Después de realizar las conexiones eléctricas, debe girar los conductores empalmados hacia arriba e introducirlos con cuidado en la caja de distribución. Deberá separar los cables con el conductor a tierra y el conductor de conexión a tierra del equipo a un costado de la caja de distribución.
11. Los planos eléctricos se ofrecen sólo a modo de referencia. Los kits de iluminación que no estén incluidos en el paquete del ventilador deben estar homologados por UL y deben indicar que son aptos para utilizarlos con el modelo de ventilador que está instalando. Los interruptores deben ser de uso general homologados por UL. Consulte las instrucciones incluidas con el kit de iluminación y los interruptores para su correcto ensamblaje.
12. Después de terminar la instalación, asegúrese de que todas las conexiones queden bien sujetas para evitar que el ventilador se caiga. Asegúrese de que todas las conexiones de los cables estén firmemente sujetas y que no haya hilos conductores expuestos.

ADVERTENCIA

13. No use agua ni detergentes al limpiar el ventilador o las paletas del ventilador. Para la limpieza, un trapo seco o ligeramente humedecido será suficiente.

PRECAUCIÓN

PARA REDUCIR EL RIESGO DE LESIONES, SIGA LAS INDICACIONES QUE SE ENUMERAN A CONTINUACIÓN:

1. Para evitar daños a los cojinetes del motor e impulsores ruidosos y/o desnivelados, mantenga la unidad de alimentación eléctrica protegida del rocío de yeso, el polvo de construcción, etc.
2. El ventilador debe quedar instalado con un espacio mínimo de 7 pies (2 metros aproximadamente) entre las paletas del ventilador y el piso.
3. Al instalar el ventilador, asegúrese de que no quede en contacto con otros obstáculos adyacentes como puertas, lámparas colgantes, etc.
4. Si va a instalar más de un ventilador de techo, no mezcle los juegos de paletas.
5. No doble los soportes de las paletas.
6. No haga funcionar el inversor mientras las paletas están en movimiento. Debe apagar el ventilador y las paletas deben quedar inmóviles antes de invertir su dirección.
7. No inserte objetos entre las paletas del ventilador mientras estén rotando.
8. Tenga cuidado al trabajar alrededor del ventilador o al limpiarlo.
9. Lea la etiqueta de especificaciones del producto para obtener más información y requisitos.

PESO DEL VENTILADOR

El peso de su ventilador es de 17.8 libras (8.07 kg). Los pesos de los kits de iluminación, las barras descendentes y los adaptadores de techo se encuentran en las instrucciones incluidas con dichos accesorios.

INSTALADOR:

Deje este manual con el propietario.

PROPIETARIO:

Instrucciones de utilización y cuidados en las páginas 17 y 18.

CONTENIDO

Desempaque su ventilador y verifique que el contenido esté completo. El paquete debe incluir lo siguiente:

- A - Juego de paletas (5)
 - B - Soporte
 - C - Carcasa
 - D - Cubierta de pelota de goma
 - E - Barras descendentes (2 - corto y largo)
 - F - Cubierta de yugo de goma
 - G - Conjunto del motor del ventilador
 - H - Juego de soportes de paletas (5)
 - I - Paquete de equipo (Nota: El paquete puede contener equipo adicional.)
- Cadenilla de tiro y dispositivo de seguridad

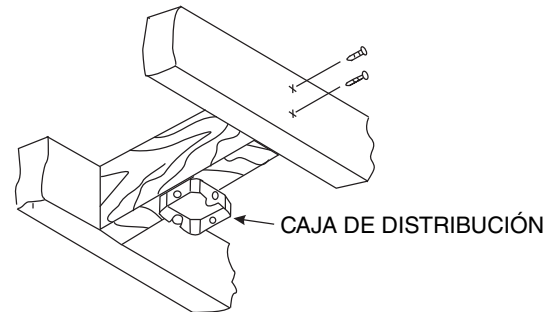
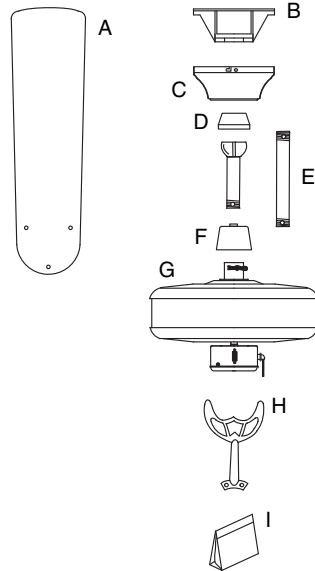


FIGURA 1

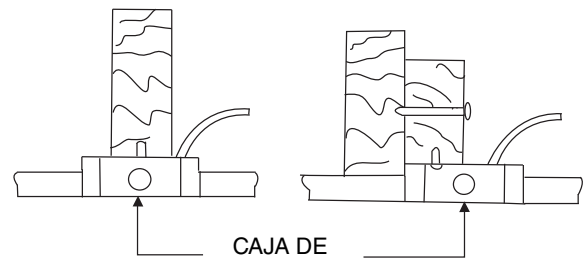
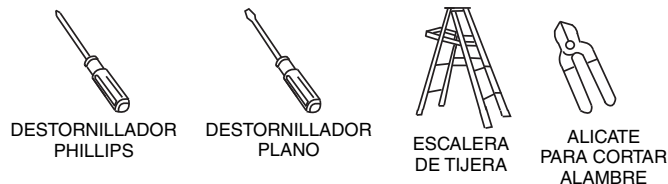


FIGURA 2

HERRAMIENTAS Y MATERIALES REQUERIDOS



OPCIONES DE MONTAJE

Si no hay una caja de montaje homologada por UL, entonces lea las siguientes instrucciones: Desconecte la corriente eléctrica retirando los fusibles o apagando los disyuntores.

Asegure la caja de distribución directamente a la estructura de la edificación. Utilice las abrazaderas y los materiales de armado correspondientes. La caja de distribución y su soporte deben soportar el peso total del ventilador en movimiento (por lo menos 50 libras/22 kg). No utilice cajas de distribución de plástico.

Las figuras 1, 2 y 3 son ejemplos de las distintas formas de instalar la caja de distribución.

Nota: Probablemente necesite una barra descendente más larga para mantener el espacio adecuado de las paletas al instalar el ventilador en un techo empinado, en declive. (Fig. 3)

Para colgar el ventilador donde haya un aparato de luz existente pero no haya una viga de techo, necesitará instalar una barra de suspensión como se muestra en la figura 4.

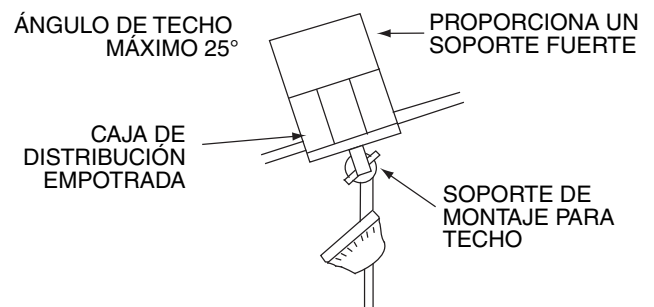


FIGURA 3

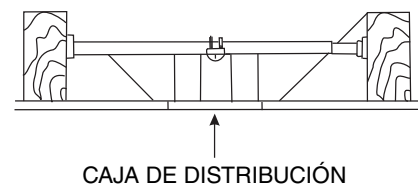


FIGURA 4

INSTALACIÓN DEL VENTILADOR

NOTA: El ventilador de techo incluye barras descendentes de largo y corto. Use la barra descendente de largo para las alturas de techo estándar. Use la barra descendente de corto en habitaciones con techos de menos de 8 pies o en áreas donde se desea tener más espacio entre el piso y las paletas del ventilador.

1. Pase los cables de alimentación de 120 voltios por el orificio central del soporte de suspensión, tal como se muestra en la fig. 5.
2. Asegure el soporte de suspensión a la caja de distribución del techo con los tornillos y las arandelas suministrados junto con la caja de distribución.
3. Retire el pivote del soporte de suspensión, el pasador de bloqueo y los tornillos de sujeción del conjunto de barra descendente.
4. Pase los cables existentes de la parte superior del motor del ventilador por la carcasa y luego por la bola/barra descendente y cubierta de pelota de goma. (Fig. 6)
5. Alinee los orificios de la parte inferior de la barra descendente con los orificios del aro en la parte superior de la carcasa del motor. Con cuidado inserte el pivote de la abrazadera a través de los orificios del aro y de la barra descendente. Asegúrese de que el pivote no quede atascado con los cables en el interior de la barra descendente. Inserte el pasador de bloqueo en el orificio que se encuentra casi en la punta del pivote de la abrazadera hasta que quede trabado en posición. (Fig. 6)
6. Ajuste los dos tornillos de sujeción en la parte superior del motor del ventilador.
7. Coloque la bola de la barra descendente en el encastre del soporte de suspensión. Esto le permitirá hacer las conexiones eléctricas. (Fig. 7)

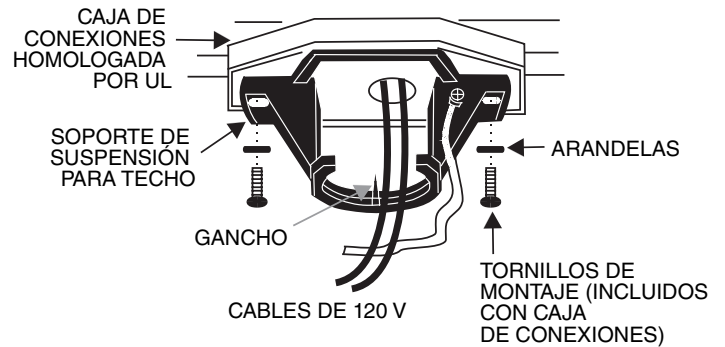


FIGURA 5

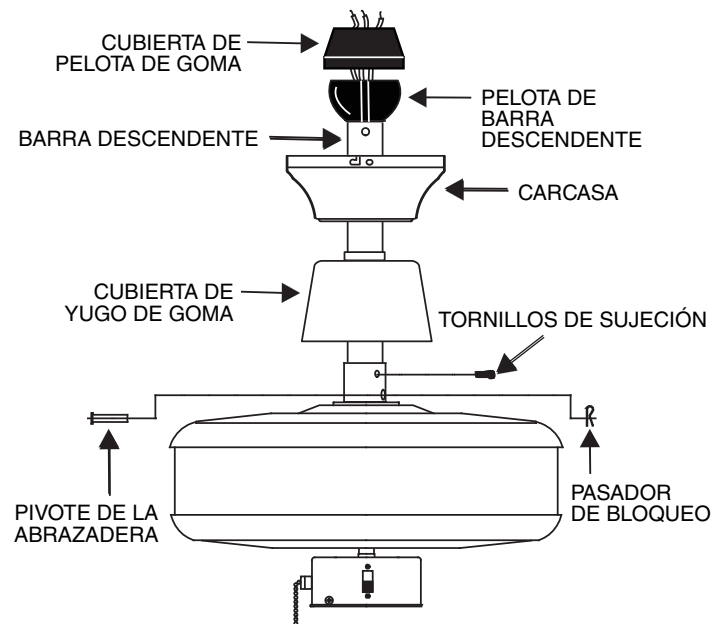


FIGURA 6

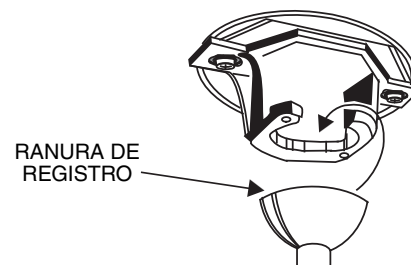


FIGURA 7

CABLEADO DE CONEXIÓN

Recuerde desconectar la alimentación eléctrica. Siga los pasos que se indican a continuación para conectar el ventilador a la instalación eléctrica de su hogar. Utilice las tuercas para alambre suministradas con el ventilador. Sujete los conectores con cinta aislante. Asegúrese de que no haya hilos ni conexiones sueltos.

SI INSTALA UN KIT DE ILUMINACIÓN OPCIONAL, CONSULTE LAS INSTRUCCIONES INCLUIDAS CON EL KIT.

1. Conecte el cable de alimentación del ventilador (negro) y el cable de alimentación de luz (azul) al cable de alimentación de color negro de su instalación eléctrica, como se muestra en la figura 8.
2. Conecte el cable neutro del ventilador (blanco) al cable neutro de color blanco de su instalación eléctrica.
3. Conecte el cable a tierra del ventilador (verde) con el cable a tierra de su instalación eléctrica.
4. Después de conectar los cables, sepárelos de manera que los cables de color verde y el blanco queden a un lado de la caja de distribución y los cables de color negro y los azules queden del otro lado.
5. Gire las tuercas de conexión hacia arriba e introduzca los cables en la caja de distribución.

Las figuras 9 y 10 ilustran las conexiones de los cables para un control de pared opcional (el color de los cables fuera del control de pared puede variar, lea el manual de instalación del control de pared para conocer las conexiones correctas de los cables).

ADVERTENCIA: PARA REDUCIR EL RIESGO DE INCENDIO, DESCARGA ELÉCTRICA O LESIONES, SÓLO INSTALE EL VENTILADOR EN UNA CAJA DE DISTRIBUCIÓN O EN UN SISTEMA DE SOPORTE APTO PARA VENTILADOR.

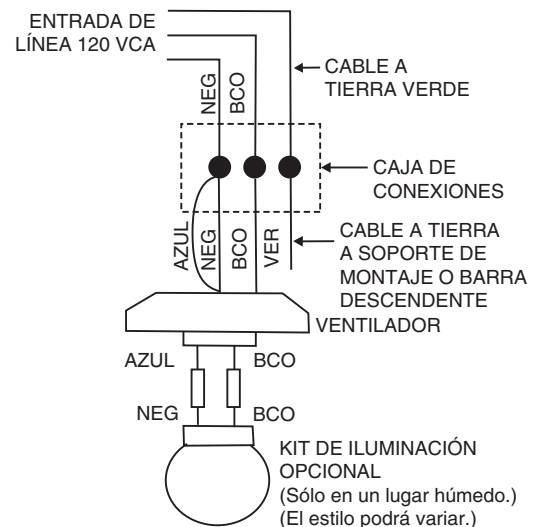


FIGURA 8

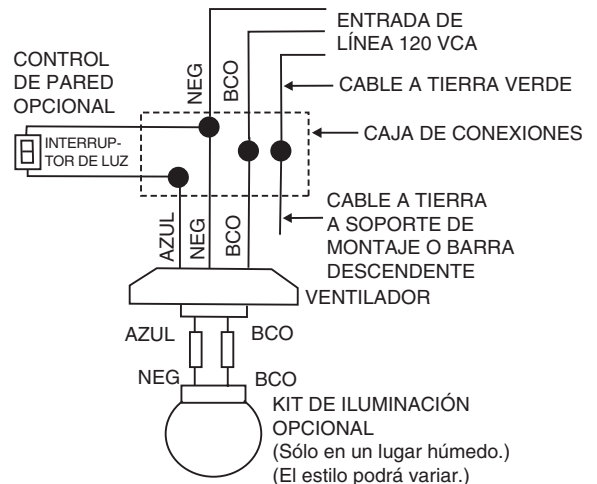


FIGURA 9

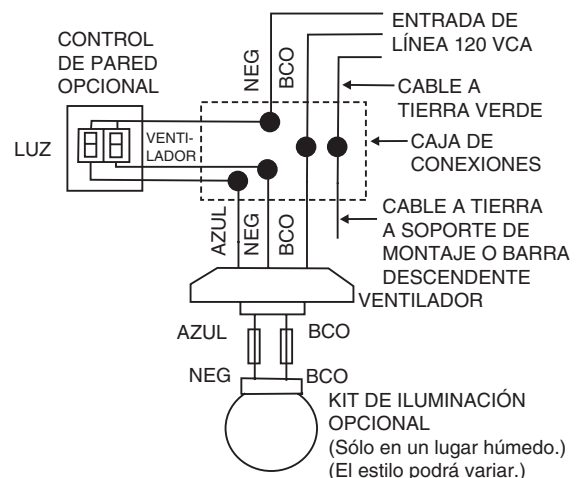


FIGURA 10

TERMINACIÓN DE LA INSTALACIÓN

1. Deslice la carcasa hacia el techo, como lo muestra la figura 11. Asegúrese de colocar los cables con seguridad en la caja de distribución.
2. Sujete la carcasa al soporte de suspensión con los cuatro tornillos incluidos con el ventilador.

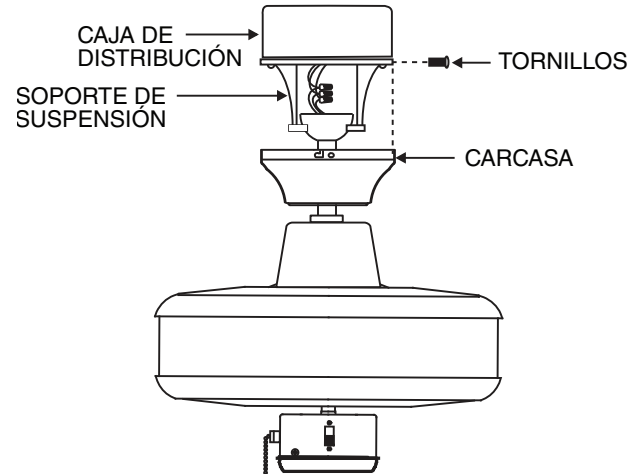


FIGURA 11

CONEXIÓN DE LAS PALETAS

Precaución: Retire los 5 soportes de goma de empaque y descártelos antes de la instalación.

El ventilador incluye paletas de doble faz reversibles (excepto Modelo CFO52BQ). Seleccione el acabado e instale los soportes de las paletas sobre el lado de las paletas que quedará visible.

1. Sujete la paleta al soporte de la paleta con los tornillos y las arandelas de fibra, tal como se muestra en la figura 12. Comience a atornillar el soporte. Repita la operación con los dos tornillos restantes.
2. Ajuste firmemente cada tornillo. Asegúrese de que la paleta quede derecha.
3. Sujete el conjunto de paletas al motor con los tornillos suministrados. (Fig. 12)
4. Adjuntar la leontina decorativo a la cadenilla de tiro.

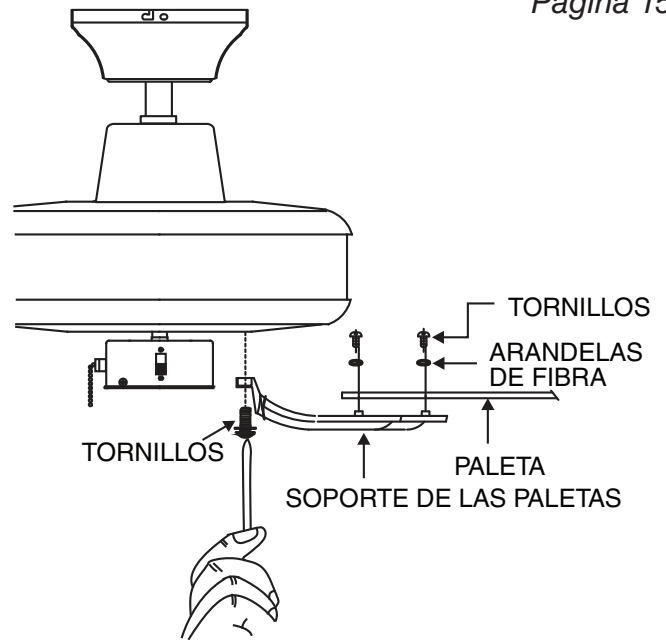


FIGURA 12

FUNCIONAMIENTO

Encienda la alimentación y verifique el funcionamiento de su ventilador.

CADENILLA DE TIRO DE 3 VELOCIDADES

Controla la velocidad del ventilador de la siguiente manera: 1 tirón: alta, 2 tirones: intermedia, 3 tirones: baja, y 4 tirones: apagado.

La configuración de las velocidades para temperaturas cálidas o frías depende de diversos factores, como el tamaño de la habitación, la altura del techo y la cantidad de ventiladores.

INTERRUPTOR DESLIZANTE

Controla las direcciones: adelante (interruptor hacia abajo) o reversa (interruptor hacia arriba).

NOTA: Espere a que el ventilador se detenga antes de cambiar la configuración del interruptor deslizante.

Clima cálido: (adelante) una corriente de aire descendente crea un efecto de enfriamiento, como se muestra en la fig. 13. De esta forma puede configurar el aire acondicionado en un valor más alto sin alterar su comodidad.

Clima frío: (reversa) una corriente de aire ascendente mueve el aire caliente lejos del área del techo, como se muestra en la fig. 14. De esta forma puede configurar el calefactor en un valor más bajo sin alterar su comodidad.

INTERRUPTOR DE PARED (OPCIONAL)

Su ventilador también está diseñado para funcionar con un interruptor de pared (vendido por separado). Consulte las instrucciones de interruptor de pared para su instalación y la información de cableado.

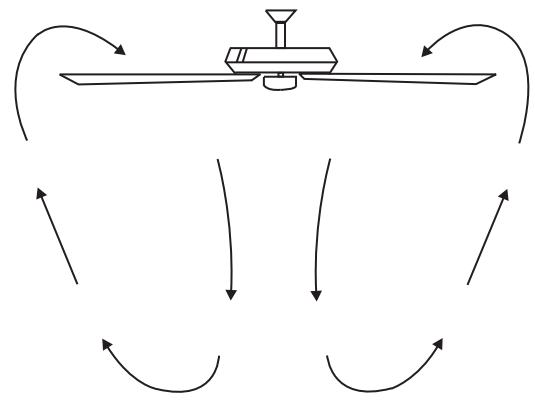


FIGURA 13

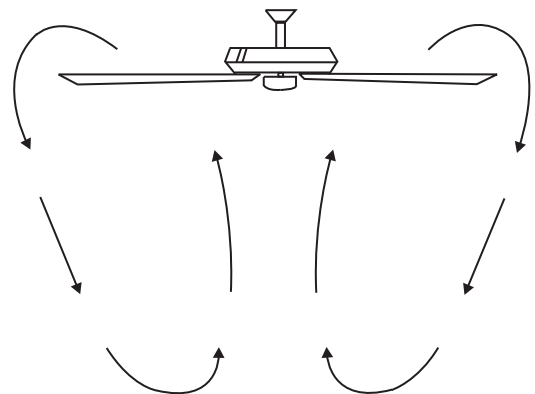


FIGURA 14

MANTENIMIENTO

IMPORTANTE: ANTES DE INTENTAR HACER ALGUNA REPARACIÓN, ASEGÚRESE DE QUE LA ALIMENTACIÓN ELÉCTRICA ESTÉ APAGADA EN LA CAJA DEL TABLERO DE ELECTRICIDAD. CONSULTE LA SECCIÓN “CABLEADO DE CONEXIÓN”.

Debido al movimiento natural del ventilador, es probable que algunas conexiones se aflojen. Verifique las conexiones de sostén, los soportes y las sujeciones de las paletas dos veces al año. Asegúrese de que estén bien sujetas. (No es necesario retirar el ventilador del techo).

Limpie el ventilador de forma periódica para que se mantenga como nuevo con el paso de los años. Sólo utilice un cepillo suave o un trapo sin hilachos para no rayar el acabado. El recubrimiento está sellado con laca para minimizar la decoloración o el cambio de color. No utilice agua para limpiarlo. Esto podría dañar el motor o la madera o producir una descarga eléctrica.

Puede aplicar una ligera capa de lustramuebles a las paletas de madera para protegerlas y aumentar su belleza. Cubra los pequeños rayones con una ligera aplicación de lustre para zapatos.

No hay necesidad de engrasar el ventilador. El motor tienen cojinetes lubricados permanentemente.

SOLUCIÓN DE PROBLEMAS

El ventilador no se enciende.

1. Verifique los fusibles o los disyuntores.
2. Verifique las conexiones de los cables al ventilador y las conexiones del cable del interruptor en la carcasa de interruptores. **PRECAUCIÓN:** Asegúrese de que el interruptor principal de alimentación esté apagado.

El ventilador hace mucho ruido.

1. Asegúrese de que todos los tornillos de la carcasa del motor estén bien ajustados.
2. Asegúrese de que los tornillos que sujetan los soportes de las paletas al cubo del motor estén bien ajustados.
3. Asegúrese de que no haya fricción entre las conexiones de las tuercas para alambres o con la pared interior de la carcasa de interruptores. **PRECAUCIÓN:** Asegúrese de que el interruptor principal de alimentación esté apagado.
4. Deje pasar un periodo de 24 horas de “adaptación”. La mayoría de los ruidos de un ventilador nuevo desaparecen con el tiempo.
5. Si utiliza un kit de iluminación opcional, asegúrese de que los tornillos que sujetan la pieza de vidrio queden bien ajustados. Verifique que la lámpara también esté firmemente colocada.
6. Los motores de algunos ventiladores son sensibles a las señales de dispositivos de control de velocidad variable con semiconductores. Si ha instalado este tipo de control, elija e instale otro tipo de control.
7. Asegúrese de que la carcasa superior quede a poca distancia del techo. No debe tocar el techo.

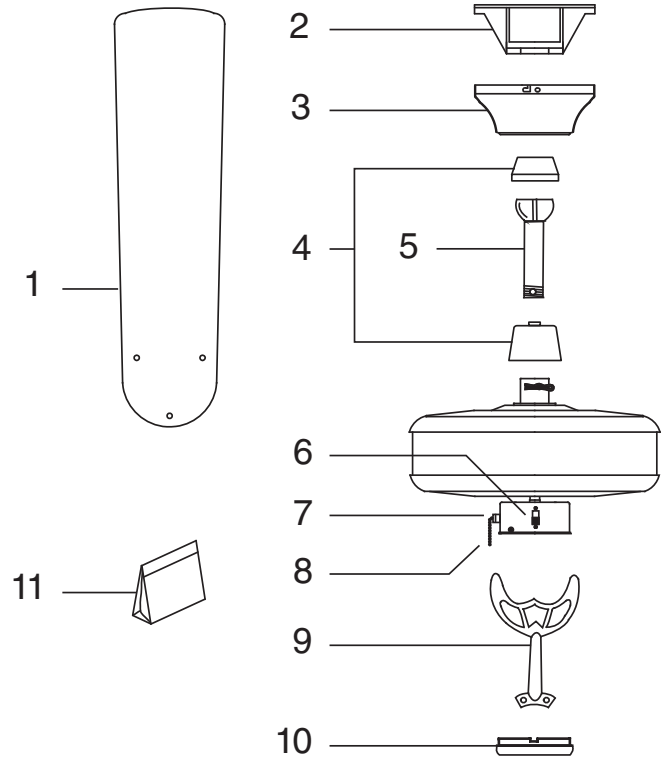
El ventilador se bambolea.

1. Verifique que todas las paletas y los tornillos de los brazos de las paletas estén bien ajustados.
2. La mayoría de los problemas de bamboleo se debe a que las paletas están desniveladas. Para verificar los niveles, seleccione un punto en el techo sobre la punta de una de las paletas. Mida esta distancia. Rote el ventilador hasta que la siguiente paleta quede posicionada en ese punto para medirla. Repita esta operación con cada una de las paletas. La desviación de distancia debe ser igual en un radio de 1/8” (0.3 cm).
3. Utilice el kit de nivelación de paletas si el bamboleo de las paletas continúa.
4. Si aún percibe el bamboleo de las paletas, puede intercambiar dos paletas adyacentes (lado a lado) para redistribuir el peso y obtener un funcionamiento más suave.

ADVERTENCIA: PARA REDUCIR EL RIESGO DE LESIONES, NO DOBLE LOS BRAZOS DE LAS PALETAS AL INSTALARLAS, NIVELARLAS O AL LIMPIAR EL VENTILADOR. NO INSERTE OBJETOS EXTRAÑOS ENTRE LAS PALETAS DEL VENTILADOR MIENTRAS ESTÉN ROTANDO.

PIEZAS DE SERVICIO

CLAVE	Nº DE PIEZA	DESCRIPCIÓN
1	S77000898	JUEGO DE PALETAS (INCLUYE 5) (CFO52WH)
	S77000899	JUEGO DE PALETAS (INCLUYE 5) (CFO52WB)
	S77000900	JUEGO DE PALETAS (INCLUYE 5) (CFO52BQ)
2	S77000885	SOPORTE DE MONTAJE
3	S77000886	CARCASA (CFO52WH)
	S77000887	CARCASA (CFO52WB)
	S77000888	CARCASA (CFO52BQ)
4	S79100024	CUBIERTA YUGO DE GOMA Y CUBIERTA PELOTA DE GOMA - BLANCA
	S79100025	CUBIERTA YUGO DE GOMA Y CUBIERTA PELOTA DE GOMA - NEGRA
	S77000889	BARRA DESCENDENTE CON BOLA DE 4" (CFO52WH)
5	S77000890	BARRA DESCENDENTE CON BOLA DE 4" (CFO52WB)
	S77000891	BARRA DESCENDENTE CON BOLA DE 4" (CFO52BQ)
	S77000892	BARRA DESCENDENTE CON BOLA DE 6" (CFO52WH)
	S77000893	BARRA DESCENDENTE CON BOLA DE 6" (CFO52WB)
	S77000894	BARRA DESCENDENTE CON BOLA DE 6" (CFO52BQ)
	S77000919	INVERSOR, 7 CABLES, BLANCO
6	S77000920	INVERSOR, 7 CABLES, NEGRO
	S77000921	INTERRUPTOR DE CADENILLA DE TIRO, CADENA DE BRONCE PULIDO
7	S77000922	INTERRUPTOR DE CADENILLA DE TIRO, CADENA CROMADA
	S77000923	INTERRUPTOR DE CADENILLA DE TIRO, CADENA DE BRONCE DE CAÑÓN
8	S77000924	INTERRUPTOR DE CADENILLA DE TIRO, CADENA DE ACERO INOXIDABLE
	S77000929	CUENTAS DE MADERA CON CADENA, CADENA DE ACERO INOXIDABLE
9	S77000895	JUEGO DE SOPORTES DE PALETAS (INCLUYE 5) (CFO52WH)
	S77000896	JUEGO DE SOPORTES DE PALETAS (INCLUYE 5) (CFO52WB)
	S77000897	JUEGO DE SOPORTES DE PALETAS (INCLUYE 5) (CFO52BQ)
10	S77000904	INTERRUPTOR DE CUBIERTA (CFO52WH)
	S77000905	INTERRUPTOR DE CUBIERTA (CFO52WB)
	S77000906	INTERRUPTOR DE CUBIERTA (CFO52BQ)
11	S77000901	BOLSA DE PIEZAS (CFO52WH)
	S77000902	BOLSA DE PIEZAS (CFO52WB)
	S77000903	BOLSA DE PIEZAS (CFO52BQ)
	*	S77000925



GARANTÍA

Ventiladores de techo Energy Star de NuTone Garantía limitada

PERIODO DE GARANTÍA: NuTone garantiza al comprador consumidor original de su ventilador de techo Energy Star de NuTone (el "Ventilador") que (a) el motor de su ventilador estará esencialmente libre de defectos en materiales o mano de obra por un periodo de treinta (30) años a partir de la fecha de compra original, y (b) otros componentes del ventilador, incluidos los controles electrónicos utilizados en conjunto con el motor, estarán esencialmente libres de defectos en materiales o mano de obra por un periodo de un (1) año a partir de la fecha de compra original. Esta garantía no cubre accesorios, como juegos de luces, que podrían comprarse por separado e instalarse con el Ventilador.

El periodo de garantía limitada para las piezas de repuesto y para los ventiladores reparados o reemplazados bajo esta garantía limitada continuará durante el resto del periodo de garantía original.

NO HAY OTRAS GARANTÍAS: LAS GARANTÍAS ANTERIORES SON EXCLUSIVAS Y EN LUGAR DE CUALQUIER OTRA GARANTÍA, EXPRESA O IMPLÍCITA. NUTONE NIEGA Y EXCLUYE CUALQUIER OTRA GARANTÍA EXPRESA, Y NIEGA Y EXCLUYE TODAS LAS GARANTÍAS IMPLÍCITAS POR LEY, INCLUYENDO, SIN LIMITACIONES, LAS DE COMERCIALIZACIÓN Y APTITUD PARA UN PROPÓSITO EN PARTICULAR. HASTA EL GRADO QUE LA LEY APLICABLE PROHIBA LA EXCLUSIÓN DE GARANTÍAS LIMITADAS, LA DURACIÓN DE CUALQUIER GARANTÍA IMPLÍCITA APLICABLE ESTÁ LIMITADA AL PERIODO ESPECIFICADO PARA LA GARANTÍA EXPRESA. Algunos estados no permiten limitaciones en la duración de una garantía implícita, así que la limitación anterior tal vez no aplique en su caso. Cualquier descripción verbal o escrita del ventilador es para el único propósito de identificarlo y no deberá considerarse como una garantía expresa.

REMEDIO: Durante el periodo de garantía limitada aplicable, NuTone, a su opción, suministrará piezas de repuesto, o reparará o reemplazará, sin cargo alguno, cualquier ventilador o pieza del mismo, hasta el grado en que NuTone lo encuentre cubierto bajo esta garantía limitada y en incumplimiento de la misma. NuTone le enviará el ventilador reparado o reemplazado o las piezas de repuesto sin cargo. Usted es responsable de todos los costos de retiro, reinstalación y envío, seguro u otros cargos de flete incurridos en el envío del ventilador o la pieza a NuTone. Esta garantía no cubre (a) mantenimiento y servicio normal, (b) uso y desgaste normal, (c) ventiladores o piezas sujetos a mal uso, abuso, uso anormal, negligencia, accidente, mantenimiento inadecuado o insuficiente, almacenamiento o reparación (que no sea reparación por parte de NuTone), (d) daños causados por instalación defectuosa, o bien instalación o uso contrario a las recomendaciones o instrucciones, (e) cualquier ventilador que se haya movido de su punto de instalación original, (f) daños ocasionados por el medio ambiente o los elementos naturales, (g) daños en tránsito, (h) el acabado de cualquier parte metálica del ventilador o el accesorio, (i) ventiladores en uso comercial o no residencial, o (j) daños ocasionados por incendio, inundación u otro caso fortuito. Esta garantía cubre únicamente los ventiladores vendidos en Estados Unidos o a través de distribuidores de EE.UU. autorizados por NuTone.

EXCLUSIÓN DE DAÑOS: LA OBLIGACIÓN DE NUTONE DE SUMINISTRAR PIEZAS DE REPUESTO, O DE REPARAR O REEMPLAZAR, A OPCIÓN DE NUTONE, SERÁ SU ÚNICO Y EXCLUSIVO REMEDIO BAJO ESTA GARANTÍA LIMITADA, Y LA ÚNICA Y EXCLUSIVA OBLIGACIÓN DE NUTONE. NUTONE NO SERÁ RESPONSABLE POR DAÑOS INCIDENTALES, INDIRECTOS, RESULTANTES O ESPECIALES QUE SURJAN POR EL USO O DESEMPEÑO DEL VENTILADOR, O EN RELACIÓN CON EL MISMO. Los daños incidentales incluyen, entre otros, daños como la pérdida de tiempo y la pérdida de uso. Los daños resultantes incluyen, entre otros, el costo de reparar o reemplazar otros bienes que fueran dañados si el ventilador no funcionara adecuadamente.

Algunos estados no permiten la exclusión o limitación de daños incidentales o resultantes, por lo que la limitación antes mencionada podría no aplicarse a usted. Esta garantía le otorga derechos legales específicos, y usted podría tener otros derechos que varían de un estado a otro.

Esta garantía sustituye todas las garantías anteriores y no es transferible del comprador consumidor original.

NUTONE NO SERÁ RESPONSABLE ANTE USTED, O ANTE NADIE QUE RECLAME POR USTED, DE NINGUNA OTRA OBLIGACIÓN O RESPONSABILIDAD QUE INCLUYEN, ENTRE OTRAS, OBLIGACIONES O RESPONSABILIDADES QUE SURJAN POR INCUMPLIMIENTO DE CONTRATO O GARANTÍA, NEGLIGENCIA U OTRO ACTO ILÍCITO O CUALQUIER TEORÍA DE RESPONSABILIDAD ESTRUCTA, CON RESPECTO AL VENTILADOR O A LOS ACTOS U OMISIONES DE NUTONE O DE CUALQUIER OTRA ÍNDOLE.

Esta garantía cubre únicamente el reemplazo o la reparación de ventiladores o piezas de los mismos con defectos en la planta principal de NuTone, y no incluye el costo del viaje para el servicio de campo ni los viáticos.

Cualquier asistencia que proporcione o procure NuTone para usted fuera de los términos, limitaciones o exclusiones de esta garantía limitada no constituirá una renuncia a dichos términos, limitaciones o exclusiones, ni dicha asistencia extenderá o renovará la garantía.

NuTone no le reembolsará ningún gasto en el que usted haya incurrido al reparar o reemplazar cualquier ventilador defectuoso, excepto los incurridos con el permiso previo por escrito de NuTone.

CÓMO OBTENER EL SERVICIO CUBIERTO POR LA GARANTÍA: Para tener derecho al servicio cubierto por la garantía, usted debe (a) notificar a NuTone a la dirección o número de teléfono que aparecen abajo en un plazo de siete (7) días después de descubrir el defecto cubierto, (b) proporcionar el número de modelo y la identificación de la pieza y (c) describir la naturaleza de cualquier defecto en el ventilador o la pieza. En el momento de solicitar el servicio cubierto por la garantía, debe presentar un comprobante de la fecha original de compra.

Broan-NuTone LLC, 926 West State Street, Hartford, WI 53027 (888-336-6151)

Si debe enviar el ventilador o la pieza a NuTone y tal como lo indique NuTone, debe empaquetar adecuadamente el Ventilador o la pieza; NuTone no se hace responsable por los daños en tránsito.

