

## DESCRIPTION

### GRILLE:

- Engineered resin construction
- Low-profile blends well with an decor
- Torsion spring grille mounting - no tools required

### BLOWER:

- Plug-in, permanently lubricated motor
- Centrifugal blower wheel

### HOUSING:

- Rugged, 26-gage galvanized steel construction
- Integral key-holed mounting brackets for easy, secure installation directly to joist
- Provision for wire suspension when installed in a drop ceiling
- 4-inch round, tapered, polymeric duct fitting with built-in backdraft damper for easy, positive duct connection and no metallic clatter

U.L. Listed for use over bathtubs and showers when connected to a GFCI protected branch circuit.

ENERGY STAR® qualified

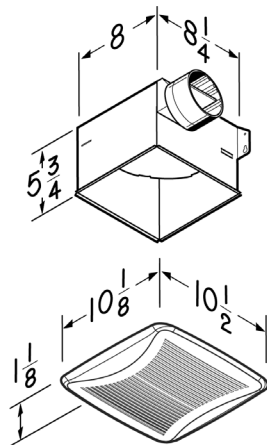
## SPECIFICATIONS

MODEL	VOLTS	AMPS
80NT	120	0.3

STATIC PRESSURE	CFM	SONES	FAN WATTS	DUCT
0.10	80	2.0	26.1	4" Round
0.25	65			



HVI-2100 CERTIFIED RATINGS comply with new testing technologies and procedures prescribed by the Home Ventilating Institute, for off-the-shelf products, as they are available to consumers. Product performance is rated at 0.1 in. static pressure, based on tests conducted in a state-of-the-art test laboratory. Sones are a measure of humanly-perceived loudness, based on laboratory measurements.

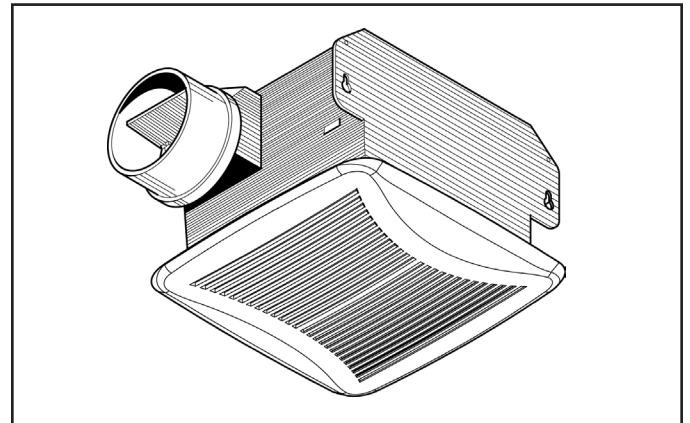


Broan-NuTone LLC Hartford, Wisconsin www.nutone.com 888-336-3948  
Broan-NuTone Canada Mississauga, Ontario www.nutone.ca 877-896-1119

REFERENCE	QTY.	REMARKS	Project
			Location
			Architect
			Engineer
			Contractor
			Submitted by <span style="float: right;">Date</span>

# Ventilation Fan

## MODEL 80NT



## ARCHITECT'S SPECIFICATION

Ventilation fan shall be NuTone Model 80NT.

Unit shall have a galvanized steel housing with dual integral mounting brackets. It shall be ducted to a roof or wall cap.

Blower assembly shall be removable and have a centrifugal blower wheel and permanently lubricated motor.

Air delivery shall be no less than 80 CFM and sound level no greater than 2.0 Sones. Air and sound ratings shall be certified by HVI.

Unit shall be U.L. Listed for use over bathtubs and showers when connected to a GFCI protected branch circuit.

Unit shall be ENERGY STAR® qualified.

## INSTALLATION

Complete installation instructions are included with each Ventilation Fan with Light.