

# Installation Instructions

NLSTR-4L1334W

LED Tunable Strip Light - Selectable CCT

READ PRIOR TO ATTEMPTING INSTALLATION  
ALWAYS TURN OFF MAIN POWER BEFORE INSTALLATION  
INSTALLATION SHOULD BE CARRIED OUT BY YOUR LOCAL ELECTRICIAN

## ⚠ WARNING - Risk of fire or Electric shock.

- To reduce the risk of fire, electric shock or injury to persons; read and follow all warning and installation instructions before installing.
- All installation should be performed by a qualified electrician.
- To avoid electric shock, ensure power is turned off before installation.
- All wiring must be installed in accordance with all Electrical Codes.
- To prevent product malfunction and/or electrical shock, this product must be properly grounded.
- Suitable for non-insulated frame. DO NOT cover fixture with insulation liner or similar material.
- DO NOT install fixture on unstable or easily breakable surface.
- DO NOT exert force on the surface of the fixture.

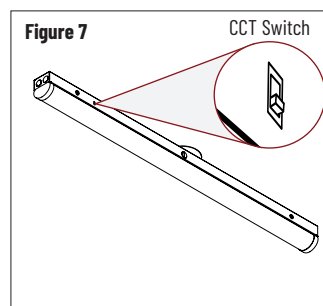
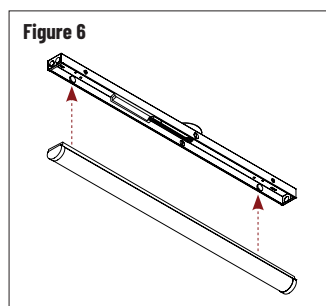
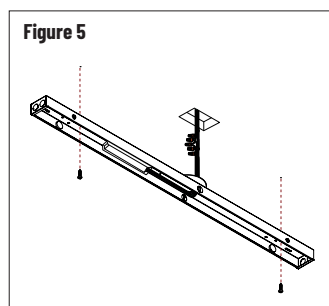
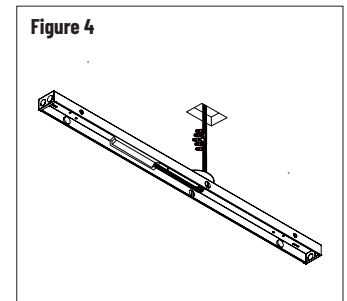
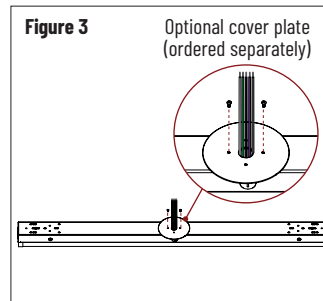
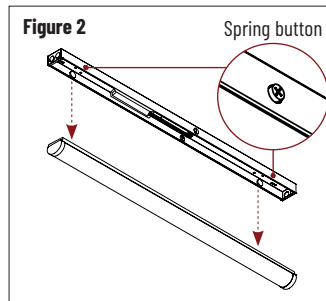
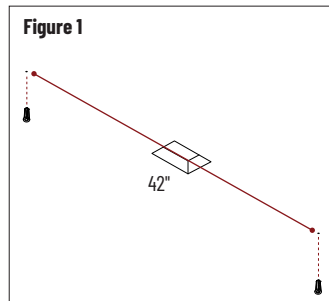
## ⚠ AVERTISSEMENT - Risque d'incendie ou de décharge électrique.

- Pour réduire le risque d'incendie, de décharge électrique ou de blessure, lire et suivre les avertissements et les instructions d'installation avant d'installer le produit.
- L'installation doit être effectuée par un électricien qualifié.
- Pour éviter toute décharge électrique, s'assurer que le courant est coupé avant de procéder à l'installation. Tout le câblage doit être installé conformément aux codes de l'électricité.
- Pour éviter le mauvais fonctionnement du produit ou une décharge électrique, ce produit doit être correctement mis à la terre.
- Convient à une surface et à un cadre non isolés. NE PAS recouvrir le luminaire d'une doublure isolante ou autre matière similaire.
- NE PAS installer le luminaire sur une surface instable ou facilement cassable.
- NE PAS exercer de force sur la surface du luminaire.

## SURFACE MOUNT INSTALLATION

### ⚠ TURN OFF MAIN POWER BEFORE INSTALLATION

1. Install appropriate anchors (not included) into the ceiling or wall, if needed. (Figure 1)
2. Pinch spring buttons near both ends of the luminaire to remove the lens. (Figure 2)
3. Optional junction box cover plate (ordered separately: NLSTRA-JBCW) may be used. (Figure 3)
4. Route power cord through cover plate and wire accordingly with wire nuts inside junction box: (Figure 4)
  - Black (120-277V) = Supply Voltage
  - White = Neutral
  - Green or Copper Wire = Grounding Junction Box Wire
5. Secure luminaire to the mounting surface using appropriate hardware (not included). (Figure 5)
6. Replace the lens by pushing upward and secure with spring buttons. (Figure 6)
7. Change color temperature to desired CCT. Switch is located on the side of each luminaire. (Figure 7)  
Note: Luminaire is preset to 3000K and may have been changed in shipping / handling / installation.



# Installation Instructions

NLSTR-4L1334W

LED Tunable Strip Light - Selectable CCT

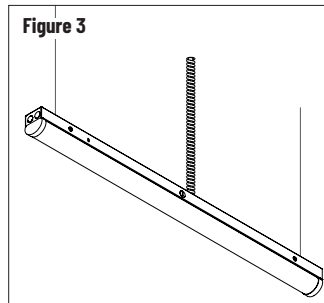
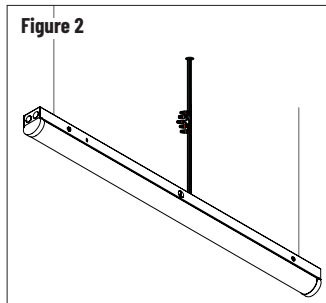
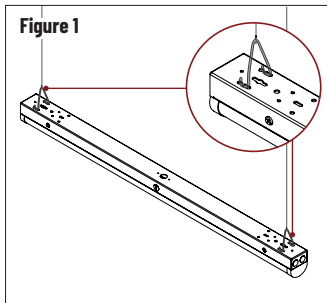
READ PRIOR TO ATTEMPTING INSTALLATION  
ALWAYS TURN OFF MAIN POWER BEFORE INSTALLATION  
INSTALLATION SHOULD BE CARRIED OUT BY YOUR LOCAL ELECTRICIAN

## PENDANT MOUNT INSTALLATION

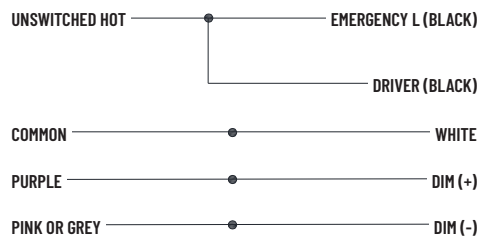
### ⚠️ TURN OFF MAIN POWER BEFORE INSTALLATION

REQUIRES: NLSTRA-PK (Ordered Separately)

1. Attach aircraft cable to each hook (ordered separately; NLSTRA-PK) and insert hooks into the mounting holes. (Figure 1)
2. Attach the aircraft cable to the ceiling and adjust lengths until luminaire is level and secure.
3. Route power cord and wire accordingly with wire nuts inside junction box: (Figure 2)
  - Black (120-277V) = Supply Voltage
  - White = Neutral
  - Green or Copper Wire = Grounding Junction Box Wire0-10V Wiring:
  - Purple = Dim (+)
  - Pink or Grey = Dim (-)
4. Attach conduit (not included) to luminaire. (Figure 3)



## EMERGENCY WIRING WITHOUT SWITCH



## EMERGENCY WIRING WITH SWITCH

