

4

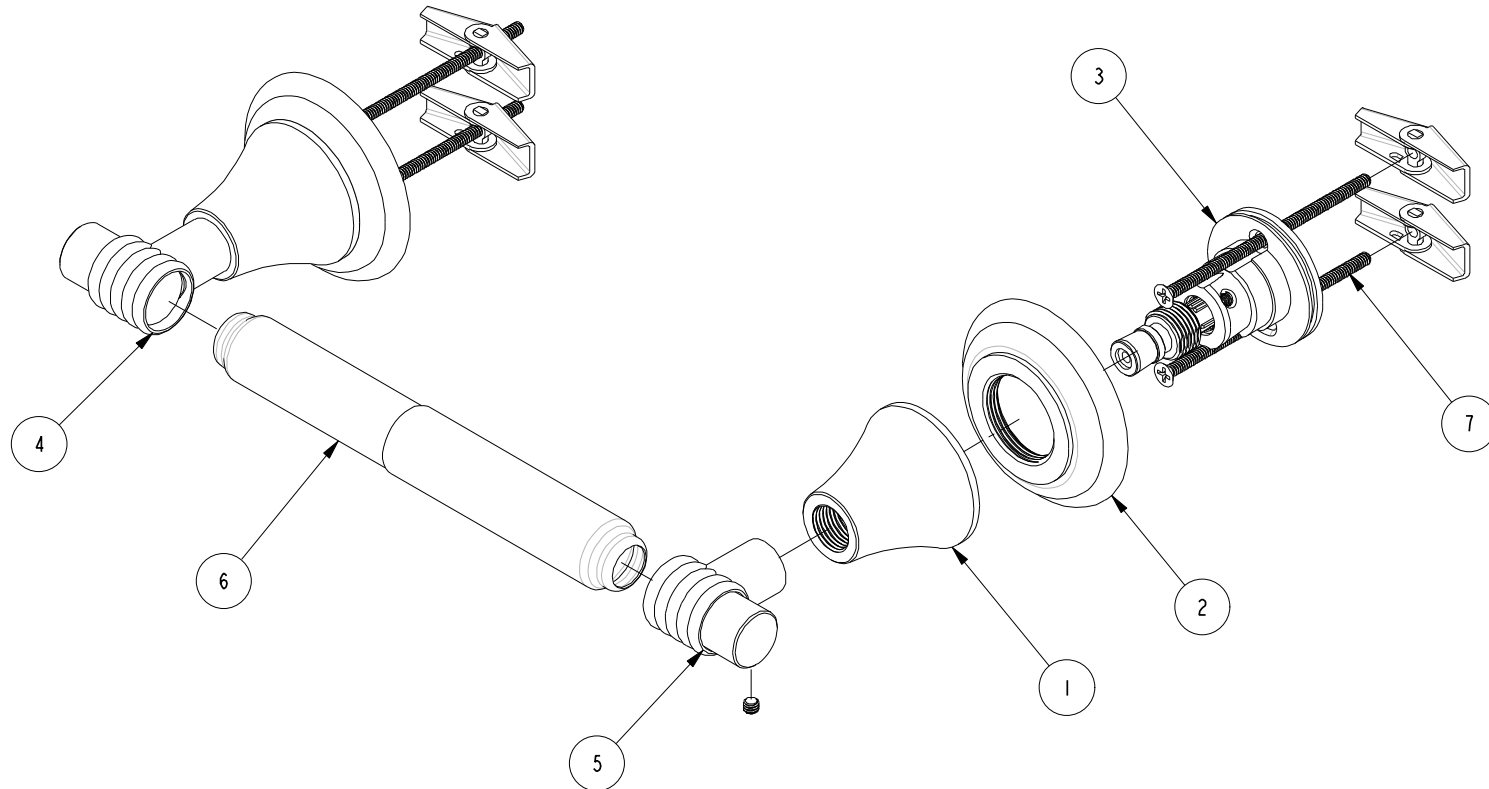
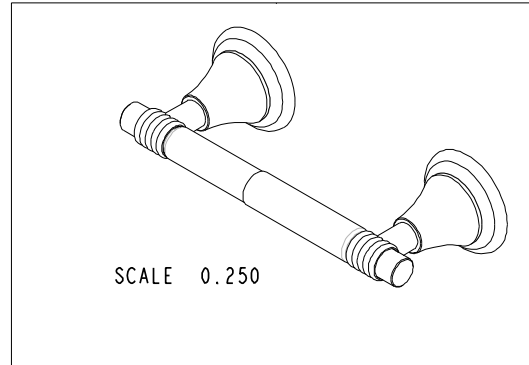
3

2

1

BILL OF MATERIAL (CURRENT LEVEL)

ITEM	PT/ASSY	DESCRIPTION	TYPE	QTY.
1	10095	ESCUTCHEON, 900 SERIES	PART	2
2	10048	ESCUTCHEON W/S VALVE	PART	2
3	1-211	ACCESSORY MTG KIT	ASSEMBLY	2
4	7-610	BASE POST ASM LFT	ASSEMBLY	1
5	7-604	BASE POST ASM RT	ASSEMBLY	1
6	2-184	TISSUE ROLLER ASSEMBLY	ASSEMBLY	1
7	1-125	HARDWARE KIT	ASSEMBLY	2



COPYRIGHT 2005 BRASSTECH, INC. THESE DRAWINGS AND THE DESIGNS DEPICTED HEREIN ARE THE PROPRIETARY PROPERTY OF BRASSTECH. ANY USE OR REPRODUCTION IS SUBJECT TO THE EXPRESS APPROVAL OF BRASSTECH. UNAUTHORIZED USE IS STRICTLY PROHIBITED. ALL RIGHTS RESERVED.

BRASSTECH
 INCORPORATED
 2001 E. CARNEGIE AVE.
 SANTA ANA, CA 92705
 (949) 417-5207

TISSUE HOLDER

ASSY. NO. 17-28

SCALE 0.500

REF. -

SHEET 1 OF 2

B	EN-1241	12/10/09
A	EO-0360	07/01/04
-	RELEASED	12/01/03
REV	REV DESC	DATE

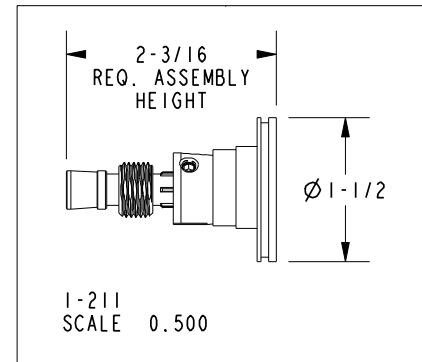
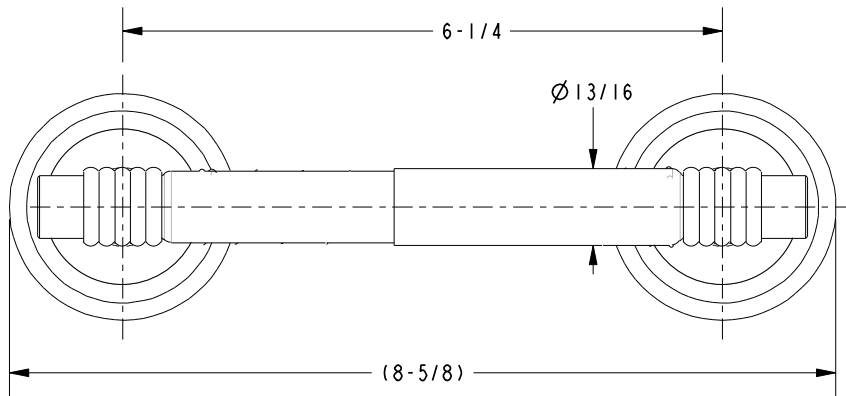
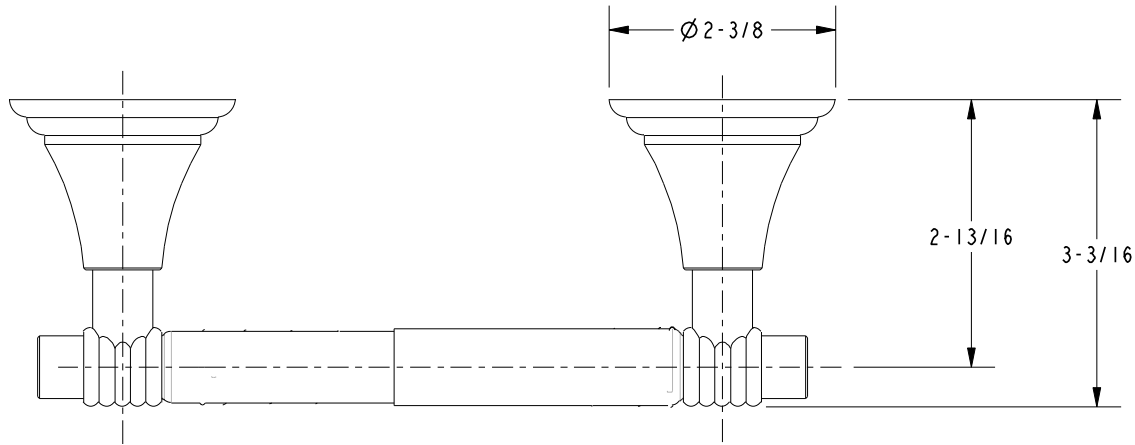
4

3

2

1

SPECIFICATION DWG



DIMENSIONS ARE IN INCHES AND AN APPROXIMATION OF A TYPICAL INSTALLATION

COPYRIGHT 2005 BRASSTECH, INC. THESE DRAWINGS AND THE DESIGNS DEPICTED HEREIN ARE THE PROPRIETARY PROPERTY OF BRASSTECH. ANY USE OR REPRODUCTION IS SUBJECT TO THE EXPRESS APPROVAL OF BRASSTECH. UNAUTHORIZED USE IS STRICTLY PROHIBITED. ALL RIGHTS RESERVED.

BRASSTECH		2001 E. CARNEGIE AVE.	
INCORPORATED		SANTA ANA, CA 92705	
		(949) 417-5207	
DWG NO.	17-28	REV	B
SCALE 0.500	REF. -	SHEET 2	OF 2