

EAST LINEAR

Single Light

16-51CC

Features

- Solid brass construction
- Single-post, single light design
- UL listed for damp locations
- Upward facing shade design
- Complements East Linear product series

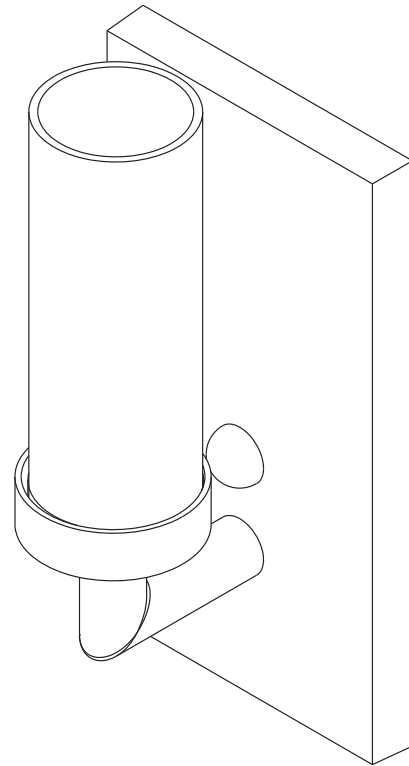
Codes / Standards Compliance

Meets or exceeds the following at date of manufacture:

- UL 1598
- All applicable US Federal and State material regulations

Colors / Finishes

- 15: Polished Nickel
- 15S: Satin Nickel
- 26: Polished Chrome
- 10B: Oil Rubbed Bronze
- Other: Refer to the Newport Brass catalog for additional color/finish options. Item not available in 10 (Satin Bronze – PVD) or 24A (French Gold – PVD). All other PVD finish requests will be accommodated as non-PVD equivalents.



Specified Model

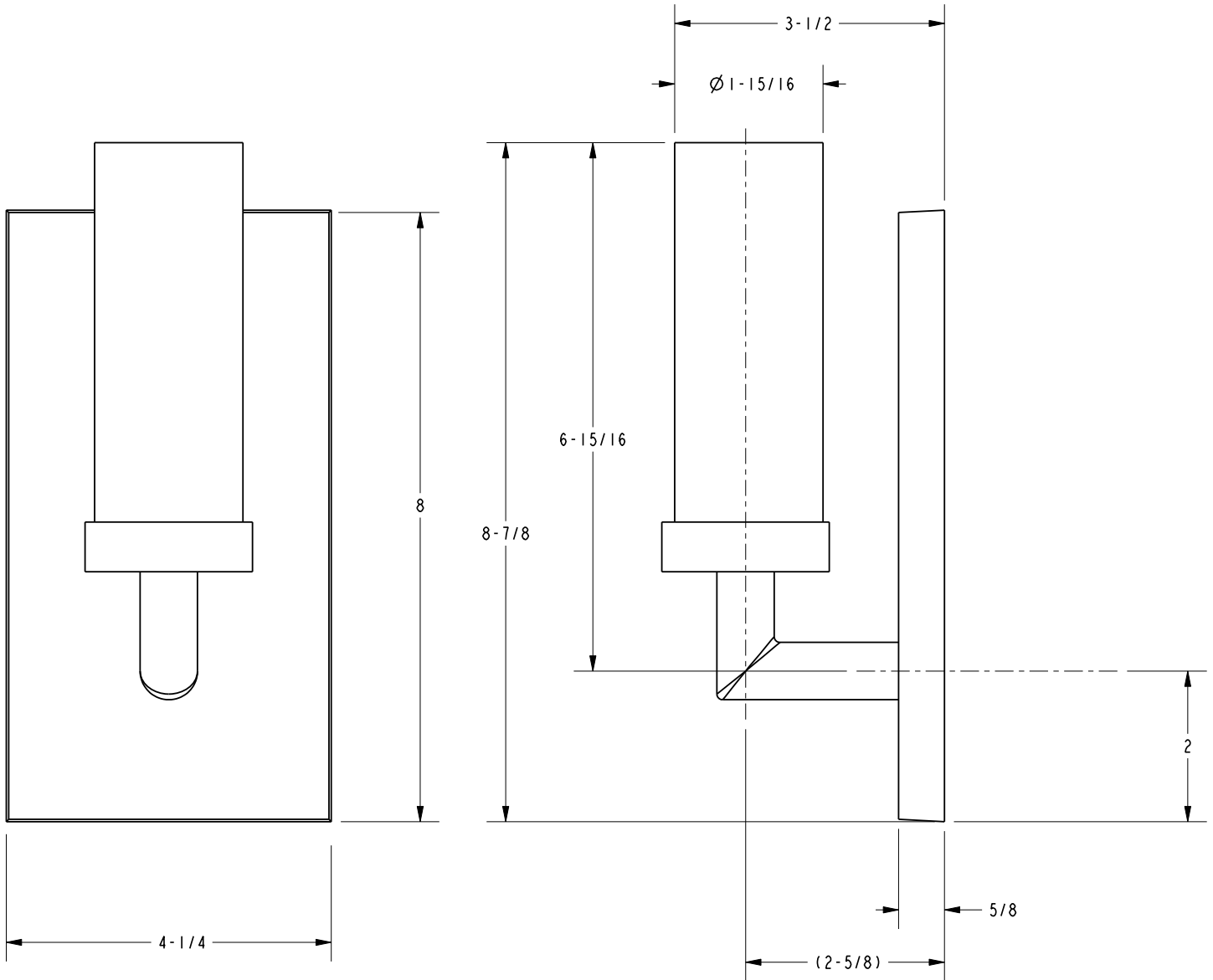
Model	Description	Colors Finishes				
16-51CC	Single Light, Etched Glass	<input type="checkbox"/> 15	<input type="checkbox"/> 15S	<input type="checkbox"/> 26	<input type="checkbox"/> 10B	<input type="checkbox"/> Other
CC	Replacement Glass Shade, Etched Glass					

Product Specification: Add glass type designator and "Color / Finish" suffix to Model number, below.

The Single Light shall incorporate solid brass construction and an etched glass shade. Single Light shall complement Newport Brass East Linear product series. Single Light shall be Newport Brass Model 16-51CC/_____.

16-51CC

Product Dimensions (units are in inches)



East Linear Single Light
16-51CC

page 2 of 2 spec_16-51CC

NEWPORT BRASS
Flawless Beauty. From Faucet to Finish.™

t: 949.417.5207 | www.newportbrass.com

©2012 Brasstech, Inc.