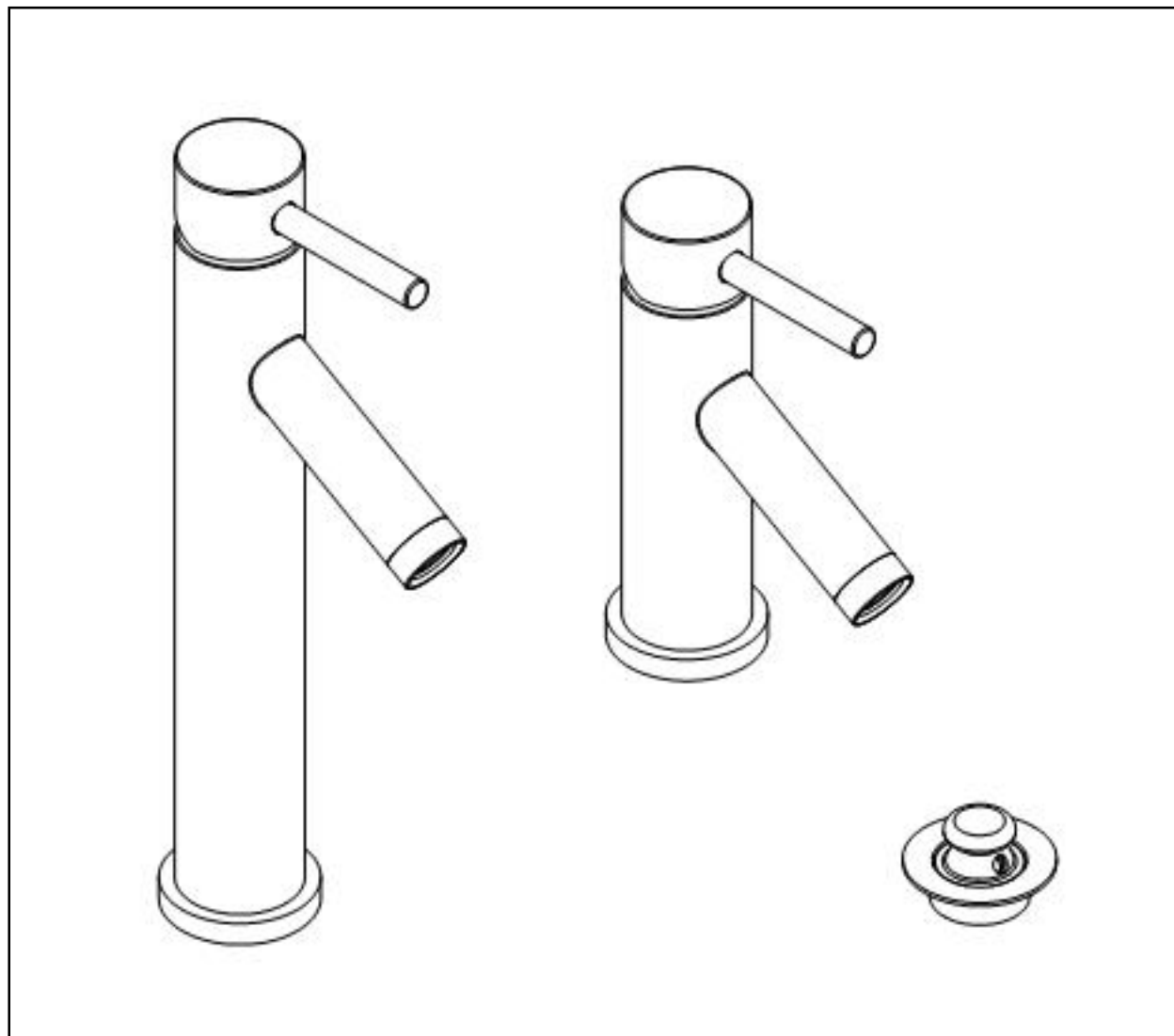


INSTALLATION INSTRUCTIONS
SINGLE HOLE LAVATORY SET
MODEL No's: I503, I508



NEWPORT BRASS
Flawless Beauty. From Faucet to Finish.™

2001 CARNEGIE AVE, SANTA ANA CA 92705

(949) 417-5207

WWW.NEWPORTBRASS.COM

Recommended Installation by a Professional Plumbing Contractor

Note:The use of petroleum base plumbers putty on our products will nullify the warranty. We recommend the use of clear silicone sealing materials.

Recommended deck thru hole Ø 1.25"

- 1. Place the spout shank & hoses through mounting surface. Secure spout into place with mounting nut. (Utilize stabilizer bracket in addition to mounting nut when installing to a stainless steel sink. See Fig. 1**
- 2. Attach hot/cold spout supply hoses to appropriate supply lines and valves in the wall. Spout supply hose ends 1/2" NPT. See Fig. 2**
- 3. Installing drain assembly - Remove top flange/stopper assembly from tail piece. Insert tailpiece up through sink drain hole. See Fig. 3**
- 4. Reattach top flange stopper assembly to tailpiece. Apply clear silicone sealant to underside of flange. Press flange down flush to sink. See Fig. 4**
- 5. Slide cone washer up tailpiece, (cone side up), against underside of sink. Thread flange nut with steel washer between rubber washer & flange nut. Firmly tighten. See Fig. 5**
- 6. Attach tailpiece to p-trap drain (not included). See Fig. 5**
- 7. Remove aerator from spout, turn on water supply, and flush system until water is clear. Check for leaks and make any final adjustments required. Re-attach aerator to the spout.**

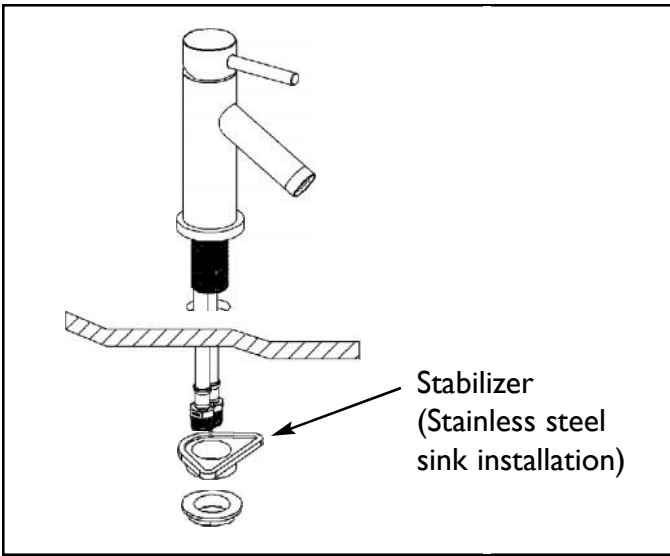


Figure 1

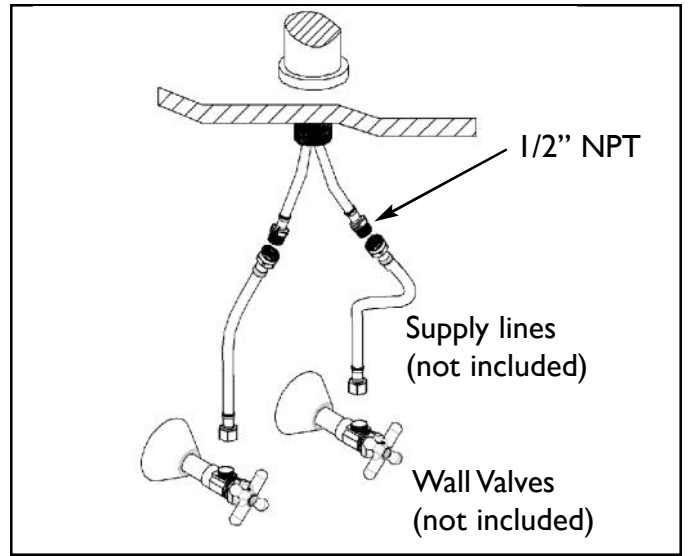


Figure 2

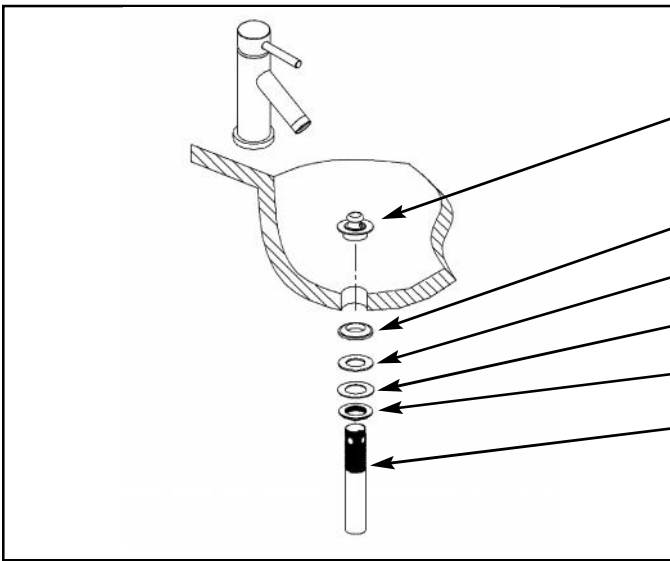


Figure 3

Flange / stopper assembly

Cone washer

Rubber washer

Steel washer

Flange nut

Tailpiece

DRAIN ASSEMBLY
NOT INCLUDED
WITH 1508

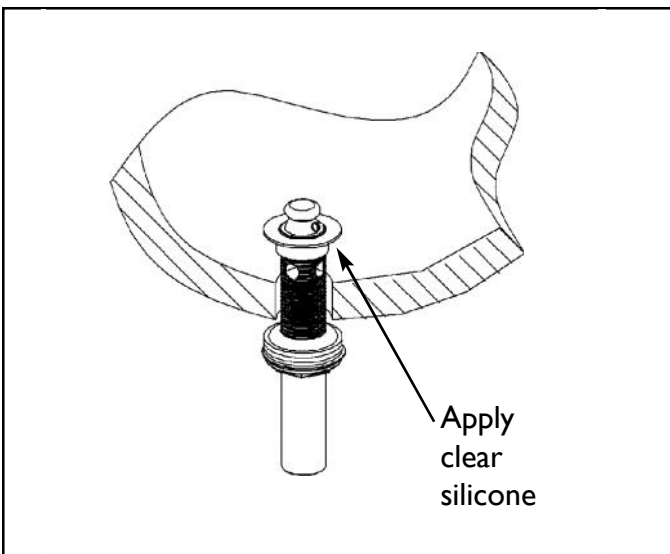


Figure 4

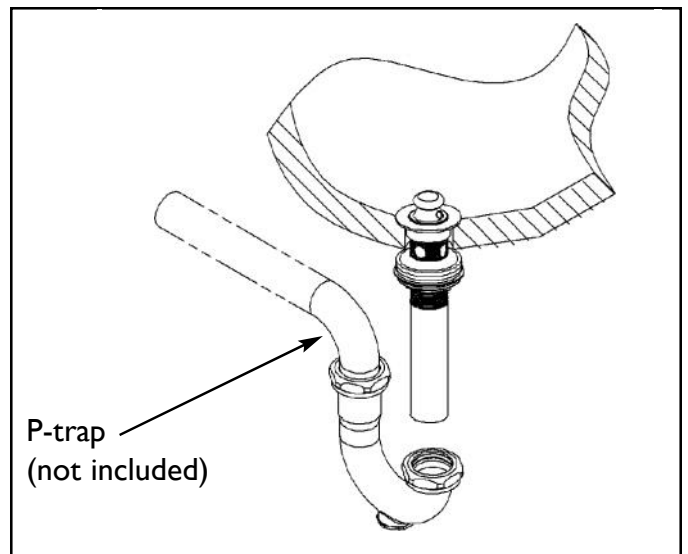


Figure 5