

AMISA

Single Light

15-51RA

Also 15-51RC

Features

- Solid brass construction
- Single-post, single light design
- UL listed for damp locations
- Upward facing shade design
- Complements Amisa product series

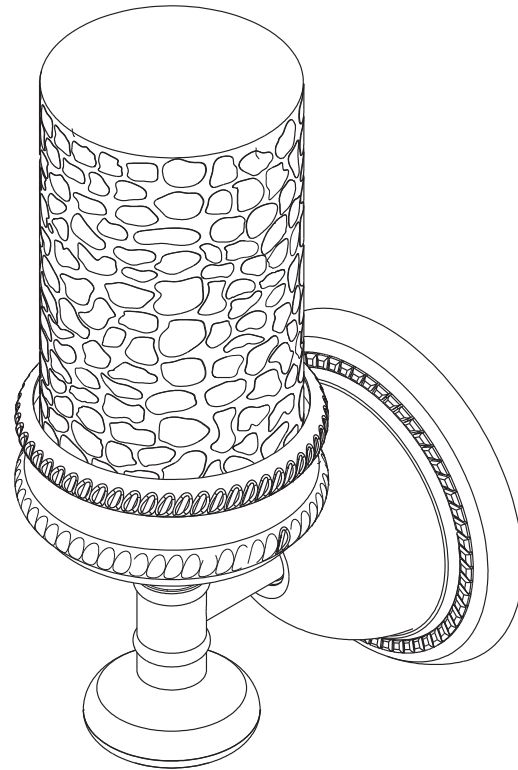
Codes / Standards Compliance

Meets or exceeds the following at date of manufacture:

- UL 1598
- All applicable US Federal and State material regulations

Colors / Finishes

- 15: Polished Nickel
- 15S: Satin Nickel
- 26: Polished Chrome
- 10B: Oil Rubbed Bronze
- Other: Refer to the Newport Brass catalog for additional color/finish options. Item not available in 10 (Satin Bronze – PVD) or 24A (French Gold – PVD). All other PVD finish requests will be accommodated as non-PVD equivalents.



Specified Model

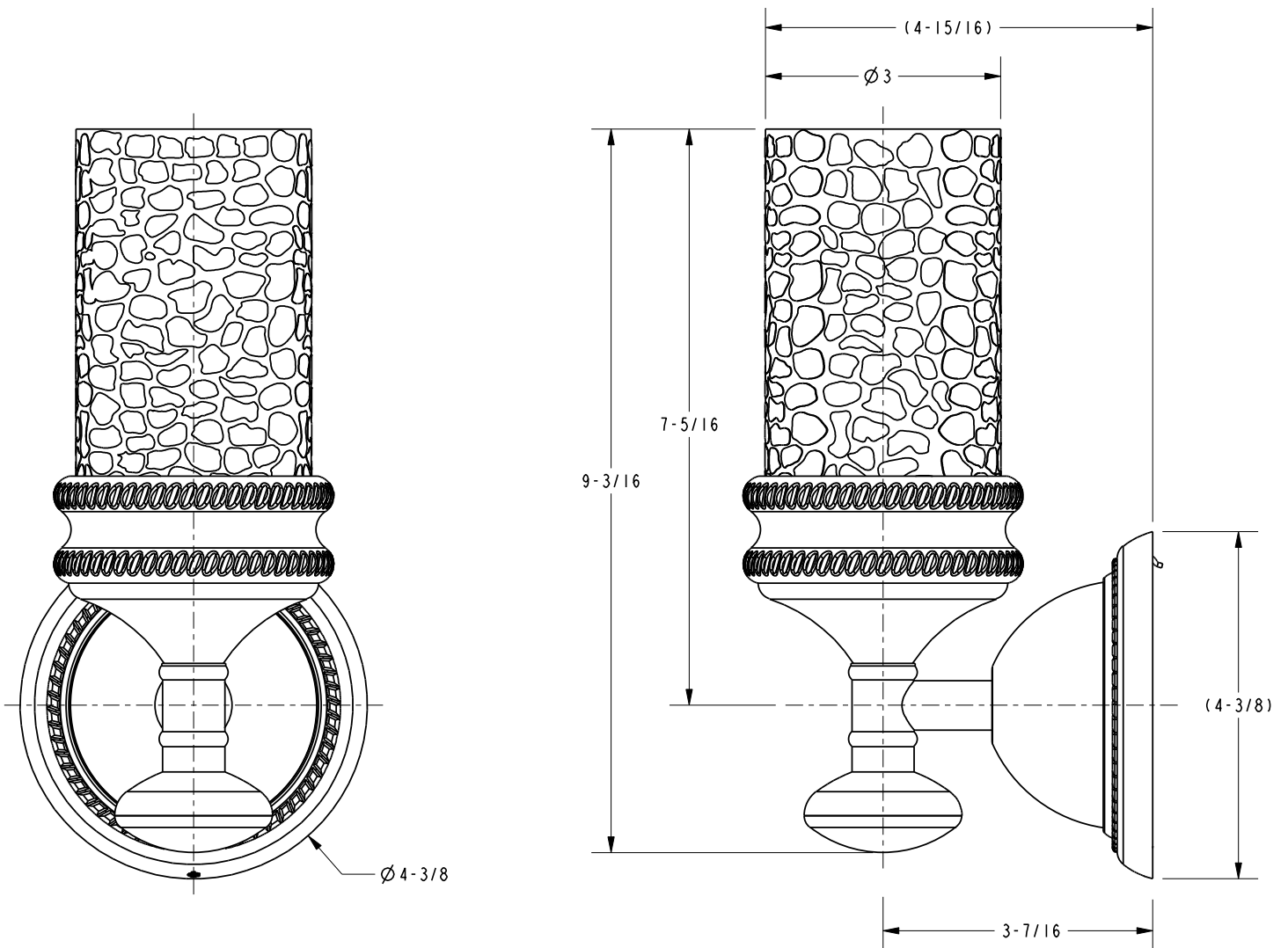
Model	Description	Colors Finishes				
15-51RA	Single Light, Crackle Glass (depicted)	<input type="checkbox"/> 15	<input type="checkbox"/> 15S	<input type="checkbox"/> 26	<input type="checkbox"/> 10B	<input type="checkbox"/> Other
15-51RC	Single Light, Etched Glass	<input type="checkbox"/> 15	<input type="checkbox"/> 15S	<input type="checkbox"/> 26	<input type="checkbox"/> 10B	<input type="checkbox"/> Other
RA	Replacement Glass Shade, Crackle Glass					
RC	Replacement Glass Shade, Etched Glass					

Product Specification: Add glass type designator and "Color / Finish" suffix to Model number, below.

The Single Light shall incorporate solid brass construction and (a crackle or an etched) glass shade. Single Light shall complement Newport Brass Amisa product series. Single Light shall be Newport Brass Model 15-51R____/____.

15-51RA

Product Dimensions (units are in inches)



Amisa Single Light
15-51RA

page 2 of 2 spec_15-51RA

NEWPORT BRASS
Flawless Beauty. From Faucet to Finish.™

t: 949.417.5207 | www.newportbrass.com

©2012 Brasstech, Inc.