

# VESPERA

## Wall-Mounted Pot-Filler Faucet

# 2500-5503



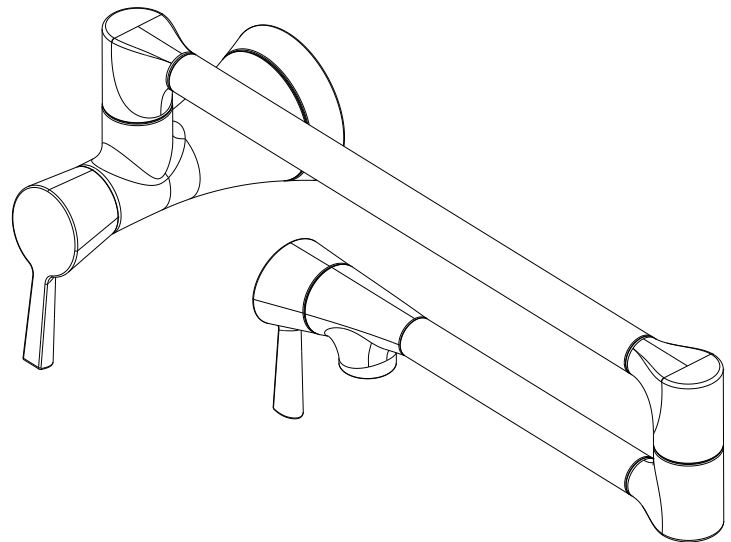
### Features

- Solid brass construction
- Brass valve bodies
- Quarter-turn washerless ceramic disc valve cartridges
- Two-valve, inlet/outlet flow control design
- ADA compliant transitional lever handles
- Double-pivot spout with aerated flow
- 15/16" (2.4 cm) spout downward offset from wall inlet center
- 22-5/8" (57.5 cm) pivoting spout reach from inlet valve (c-c)
- 3-9/16" (9.0 cm) pivoting inlet valve offset (wall-center)
- For single hole, wall-mounted configurations

### Codes / Standards Compliance

Meets or exceeds the following at date of manufacture:

- ASME A112.18.1/CSA B125.1
- IAPMO/cUPC
- IPC
- NSF 61
- ADA
- ICC/ANSI A117.1
- All applicable US Federal and State material regulations



### Colors / Finishes

- 10B: Oil Rubbed Bronze
- 15: Polished Nickel
- 15S: Satin Nickel
- 26: Polished Chrome
- Other: Refer to the Newport Brass catalog for additional color/finish options.

### Specified Model

Model	Description	Colors / Finishes
2500-5503	Wall-Mounted Pot-Filler Faucet	<input type="checkbox"/> 10B <input type="checkbox"/> 15 <input type="checkbox"/> 15S <input type="checkbox"/> 26 <input type="checkbox"/> Other

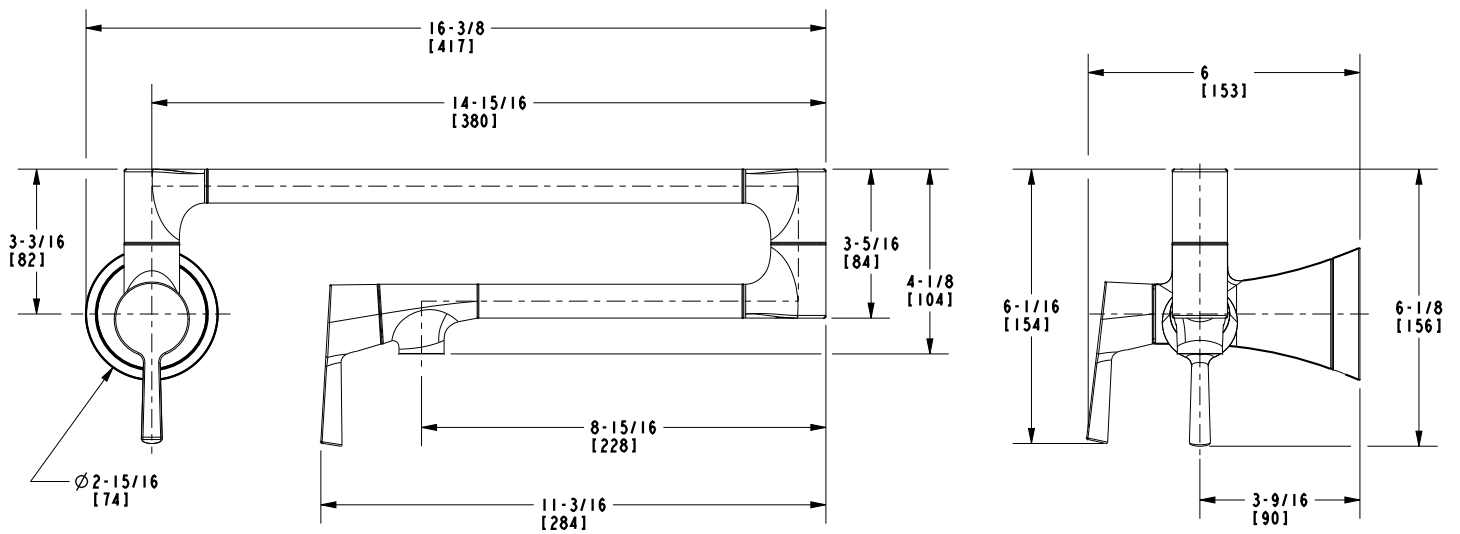
### Product Specification:

Add "Color / Finish" suffix to Model number, below.

The Pot-Filler Faucet shall be made of solid brass construction. Faucet shall incorporate a double-pivot spout with aerated flow and a feature brass valve bodies with quarter-turn washerless ceramic disc valve cartridges. Pot-filler Faucet shall be a two-valve, inlet/outlet flow control design accommodating single-hole, wall-mounted configurations. Product shall incorporate a 15/16" (2.4 cm) spout downward offset from wall inlet center and a 22-5/8" (57.5 cm) pivoting spout reach from inlet valve (c-c). Pot-Filler Faucet pivot axis (inlet valve center) offset shall be 3-9/16" (9.0 cm) (wall-center) . Faucet shall incorporate ADA compliant transitional lever handles. Pot-Filler Faucet shall be Newport Brass Model 2500-5503/\_\_\_\_\_ .

# 2500-5503

Product Dimensions (units are in inches)



Vespera Wall-Mounted Pot-Filler Faucet  
**2500-5503**

page 2 of 2 spec\_2500-5503

**NEWPORT BRASS**  
Flawless Beauty. From Faucet to Finish.™

t: 949.417.5207 | www.newportbrass.com

©2012 Brasstech, Inc.