

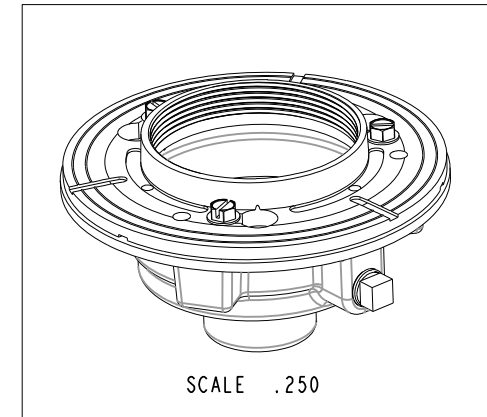
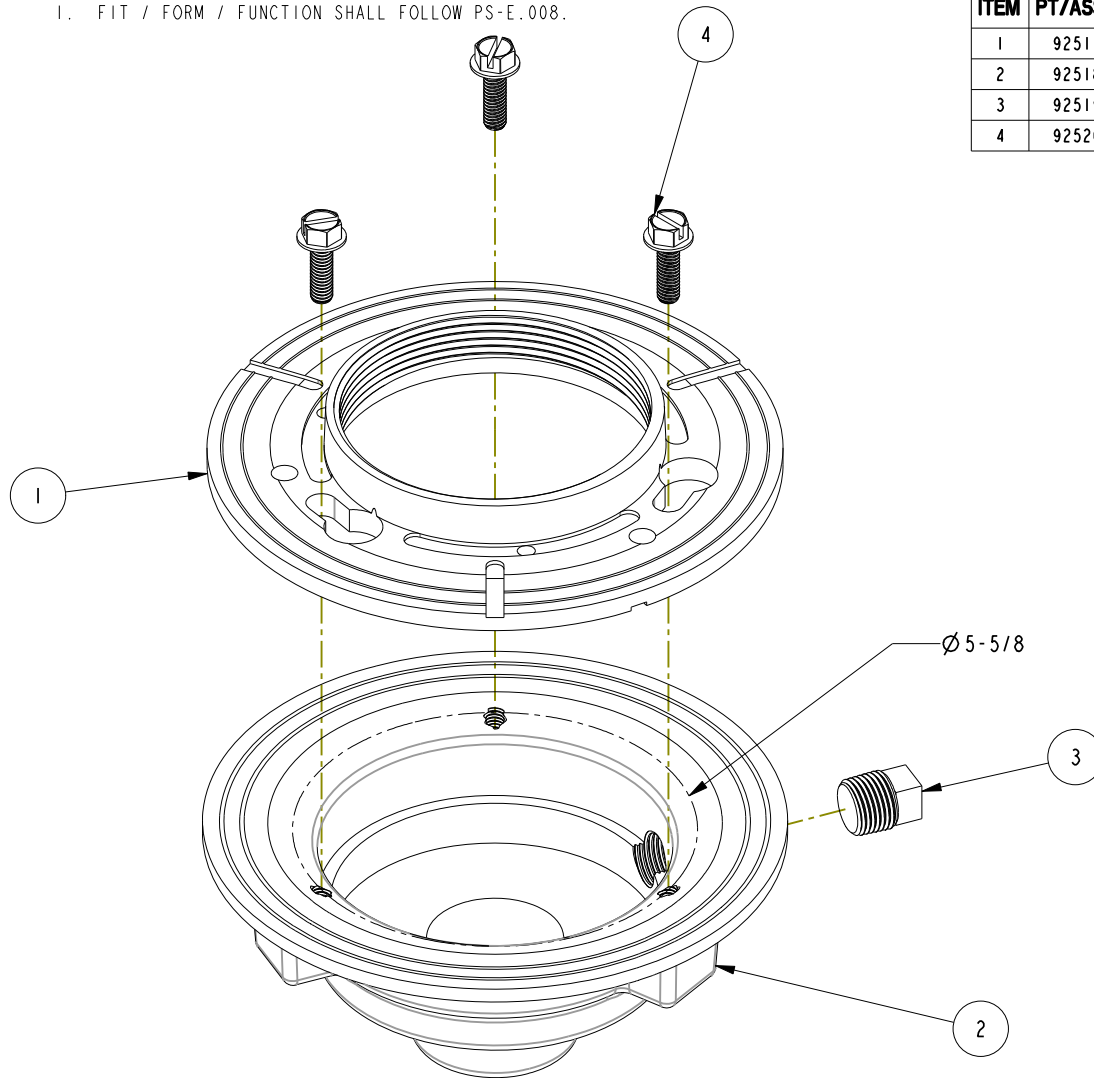
NOTES:

1. FIT / FORM / FUNCTION SHALL FOLLOW PS-E.008.

BILL OF MATERIAL (CURRENT LEVEL)

ITEM	PT/ASSY	DESCRIPTION	TYPE	QTY.
1	92517	WATTS FLOOR DRAIN COLLAR BLT3-XYC (CAST IRON- <b>BLACK</b> )	PART	1
2	92518	WATTS FLOOR DRAIN HUB B3-2NH (CAST IRON- <b>BLACK</b> )	PART	1
3	92519	1/2 NPT SQUARE TRAP PRIMER CONNECTION PLUG	PART	1
4	92520	SCRW, 5/16-18 X 1 SLT FLANGE HD 304/316 STAINLESS STEEL	PART	3

JM  
11/30/2018



ZONE	REV	DESCRIPTION	DATE	APPROVED
B	EN-3668		7/26/18	J. A.
A	EN-2196		6/18/12	-
-	-	EN-1714	12/30/11	-

COPYRIGHT 2005 BRASSTECH, INC. THESE DRAWINGS AND THE DESIGNS DEPICTED HEREIN ARE THE PROPRIETARY PROPERTY OF BRASSTECH. ANY USE OR REPRODUCTION IS SUBJECT TO THE EXPRESS APPROVAL OF BRASSTECH. UNAUTHORIZED USE IS STRICTLY PROHIBITED. ALL RIGHTS RESERVED.

TESTING	ASSEMBLY	PLATING	POLISHING	MACHINING	TOOLING FIXTURE #
-	-	-	-	-	
					REMOVE ALL BURRS AND SHARP EDGES

UNITS ARE: INCHES [MM]	TOLERANCES ARE:	FRACTIONS DECIMALS	ANGLES
		±1/16"	±1°
		.X ±.1 (2,5)	
		.XX ±.06 (1,5)	
(X.XXX) DENOTES CRITICAL DIMS. ALL THREADS ARE CRITICAL			
DRAWN	J. AMOZOC	7/26/18	
CHECKED	V. VU	7/26/18	
APPROVED	V. VU	7/26/18	

BRASSTECH INCORPORATED		2001 CARNEGIE AVE. SANTA ANA, CA 92705 (949) 417-5207	
FLOOR DRAIN BODY ASM			
DWG NO.	278-02	REV	B
SCALE	.375	REF.	-
SHEET	1	OF	2

4 3 2 1

↓

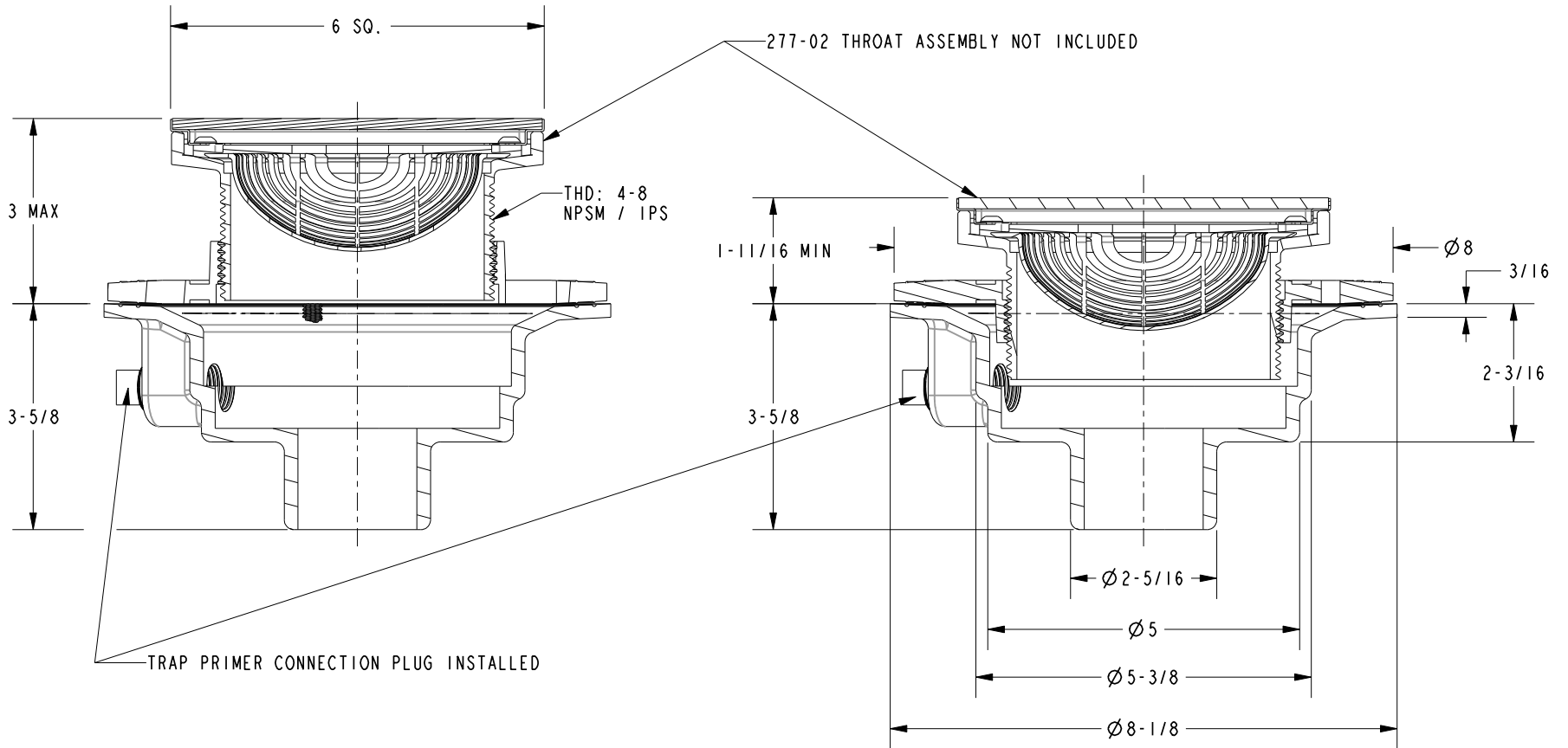
**SPECIFICATION DWG**

D

C

B

A



DIMENSIONS ARE IN INCHES AND AN APPROXIMATION OF A TYPICAL INSTALLATION

COPYRIGHT 2005 BRASSTECH, INC. THESE DRAWINGS AND THE DESIGNS DEPICTED HEREIN ARE THE PROPRIETARY PROPERTY OF BRASSTECH. ANY USE OR REPRODUCTION IS SUBJECT TO THE EXPRESS APPROVAL OF BRASSTECH. UNAUTHORIZED USE IS STRICTLY PROHIBITED. ALL RIGHTS RESERVED.

<b>BRASSTECH</b>		2001 CARNEGIE AVE. SANTA ANA, CA 92705 (949) 417-5207	
INCORPORATED			
DWG NO.	278-02	REV B	
SCALE .375	REF. -	SHEET 2 OF 2	

4

3

2

1

A