

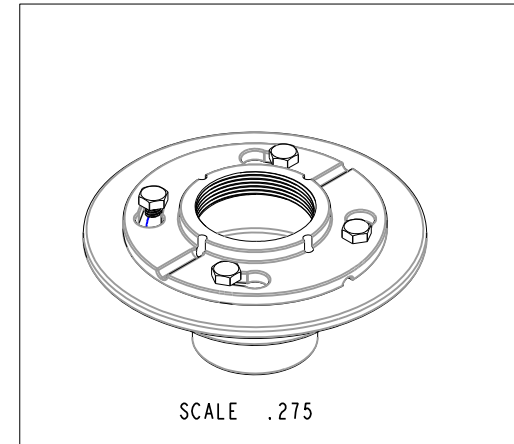
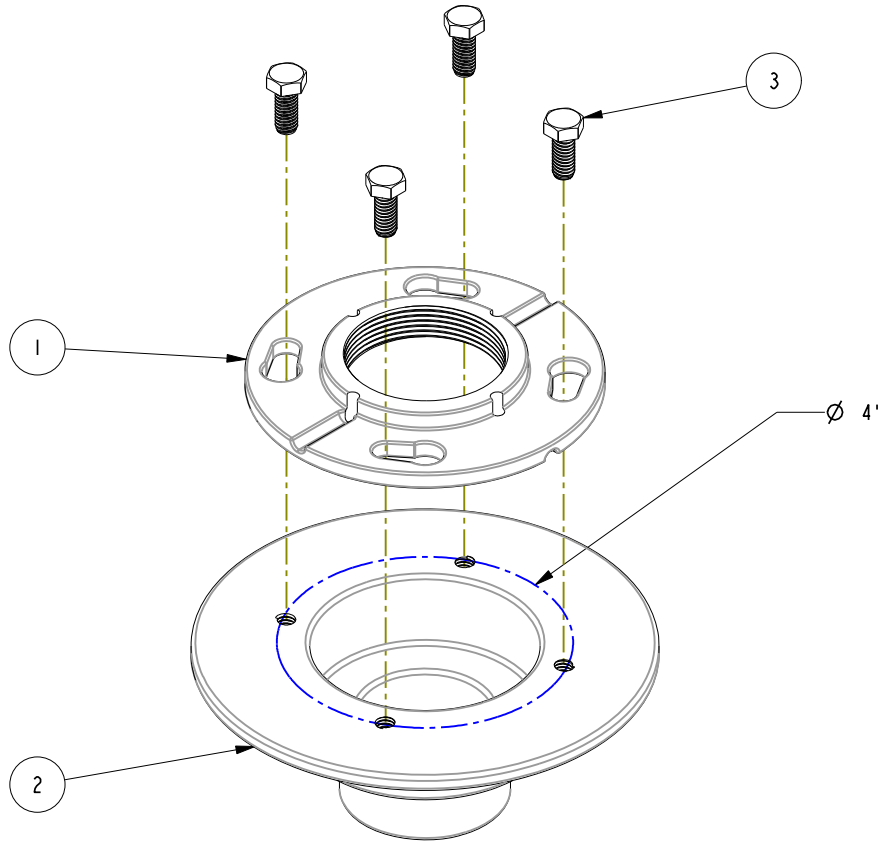
NOTES:

1. FIT / FORM / FUNCTION SHALL FOLLOW PS-E.008.

BILL OF MATERIAL (CURRENT LEVEL)

ITEM	PT/ASSY	DESCRIPTION	TYPE	QTY.
1	92515	WATTS FLOOR DRAIN COLLAR ICL-US (CAST IRON- <b>BLACK</b> )	PART	1
2	92516	WATTS FLOOR DRAIN HUB B3-2NH (CAST IRON- <b>BLACK</b> )	PART	1
3	92521	SCRW, 5/16-18 X 3/4 HEX CAP HD 304/316 STAINLESS STEEL	PART	4

JM  
11/30/2018



					TESTING		-	-	UNITS ARE: INCHES [MM]		<b>BRASSTECH</b> INCORPORATED 2001 CARNEGIE AVE. SANTA ANA, CA 92705 (949) 417-5207
					ASSEMBLY		-	-	TOLERANCES ARE:		
					PLATING		-	-	FRACTIONS DECIMALS ANGLES		
					POLISHING		-	-	±1/16" .X ±.1 (2,5) ±1° .XX ±.06 (1,5)		
					MACHINING		-	-	(X.XXX) DENOTES CRITICAL DIMS. ALL THREADS ARE CRITICAL		DWG NO. <b>278-01</b>
					TOOLING FIXTURE #		REMOVE ALL BURRS AND SHARP EDGES		DRAWN J. AMOZOC 7/26/18		
ZONE	REV	DESCRIPTION	DATE	APPROVED	APPLICATION		CHECKED V. VU 7/26/18		APPROVED V. VU 7/26/18		SHEET   OF <b>4</b>

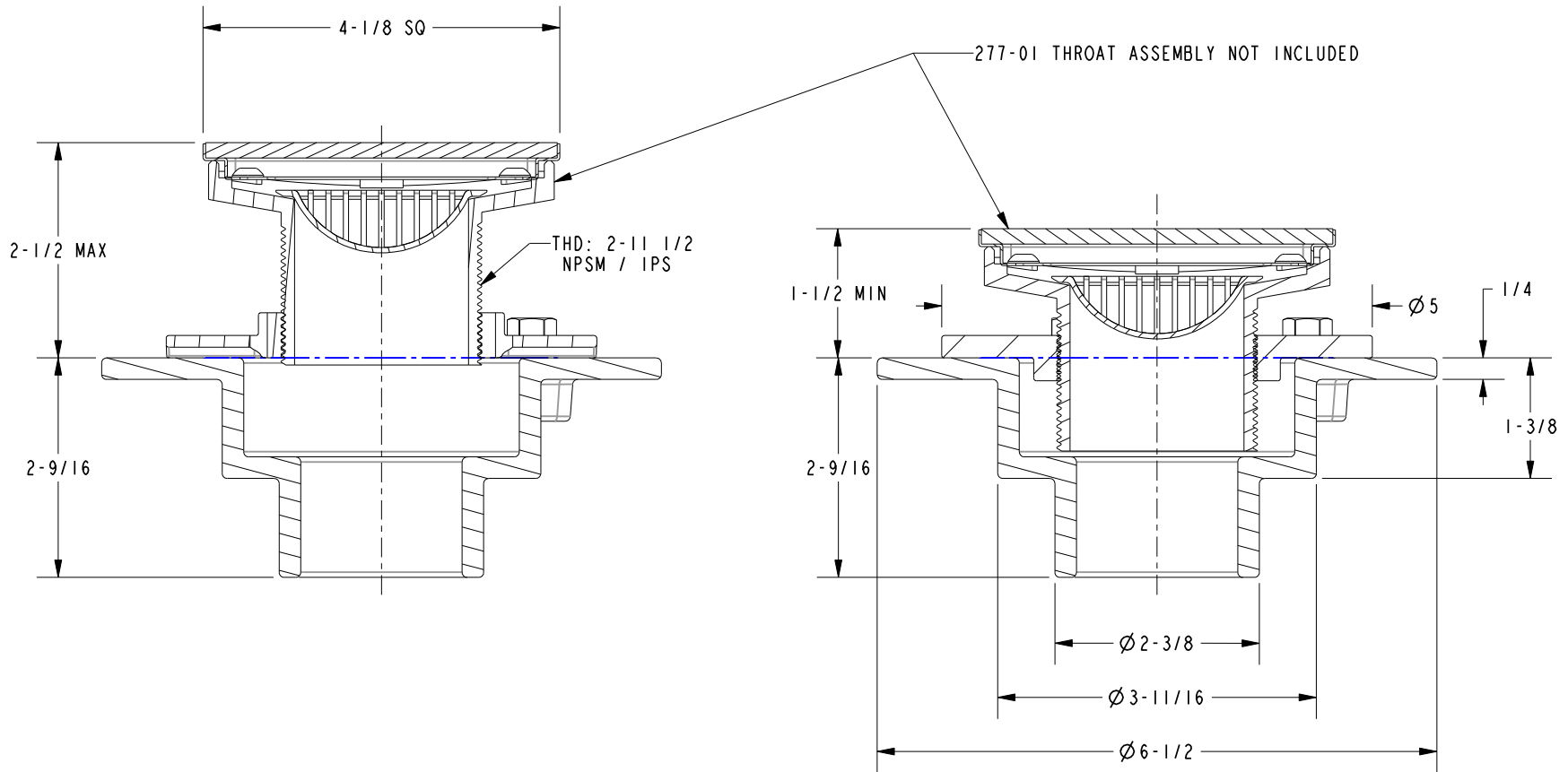
2001 CARNEGIE AVE.  
SANTA ANA, CA 92705  
(949) 417-5207

FLOOR DRAIN BODY ASM

DWG NO. 278-01

SCALE .375 REF. - SHEET | OF **4**

SPECIFICATION DWG

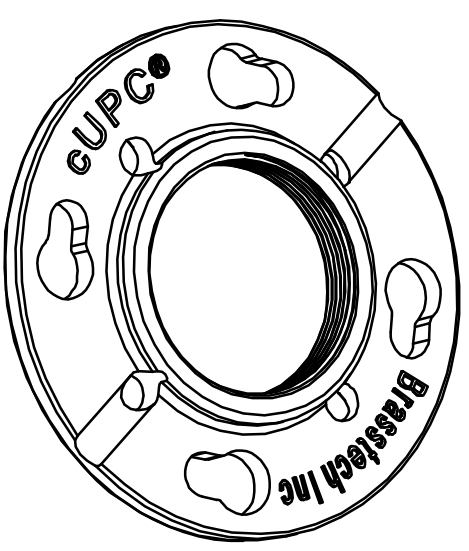
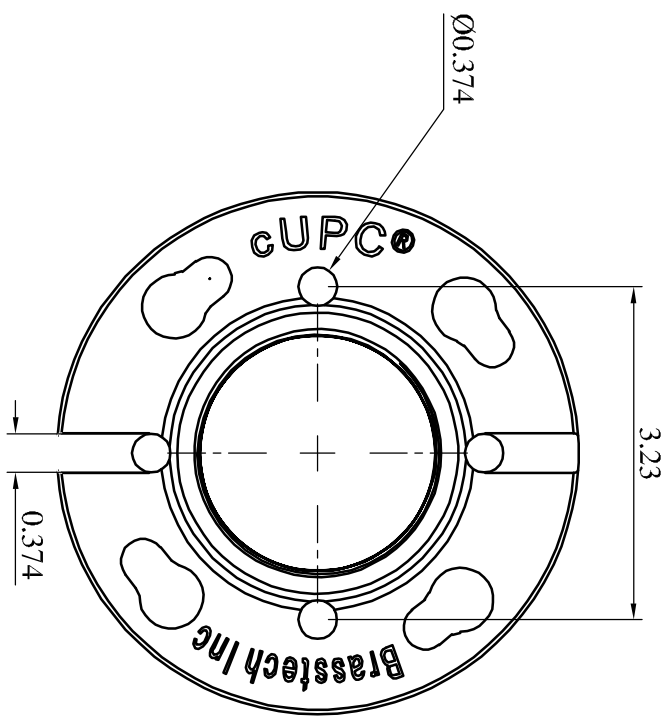


DIMENSIONS ARE IN INCHES AND AN APPROXIMATION OF A TYPICAL INSTALLATION

COPYRIGHT 2005 BRASSTECH, INC. THESE DRAWINGS AND THE DESIGNS DEPICTED HEREIN ARE THE PROPRIETARY PROPERTY OF BRASSTECH. ANY USE OR REPRODUCTION IS SUBJECT TO THE EXPRESS APPROVAL OF BRASSTECH. UNAUTHORIZED USE IS STRICTLY PROHIBITED. ALL RIGHTS RESERVED.

<b>BRASSTECH</b>		2001 CARNEGIE AVE. SANTA ANA, CA 92705 (949) 417-5207	
DWG NO.	278-01	REV B	
SCALE .500	REF. -	SHEET 2 OF 2	

SIZE	UNIT	PER CTRM DWG	DATE	REV.
A4	INCH	XXX	XX-XX-XX	X



DO NOT SCALE DRAWING

**UNIPLUMBG ENTERPRISE CO. LTD.**

TOLERANCES :  
 UNLESS OTHERWISE SPECIFIED  
 .XX ± .010 ANGLES ± 1/2°  
 .XXX ± .005 FRACTION ± 1/64

W.T.: gms

MATERIAL : HT200

FINISH : XXX

TITLE  
**FLOOR DRAIN COLLAR ICL-US**

ITEM No. **92515**

REV. **A**

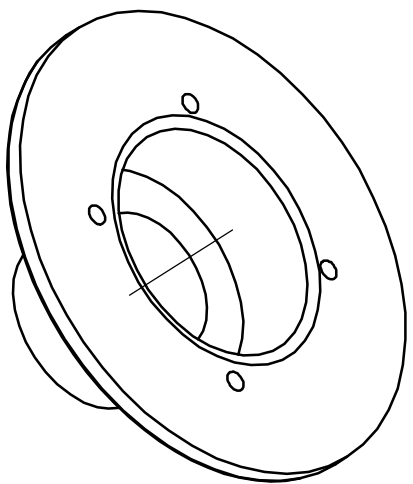
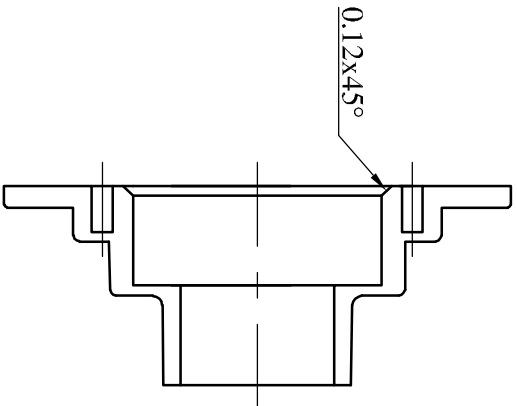
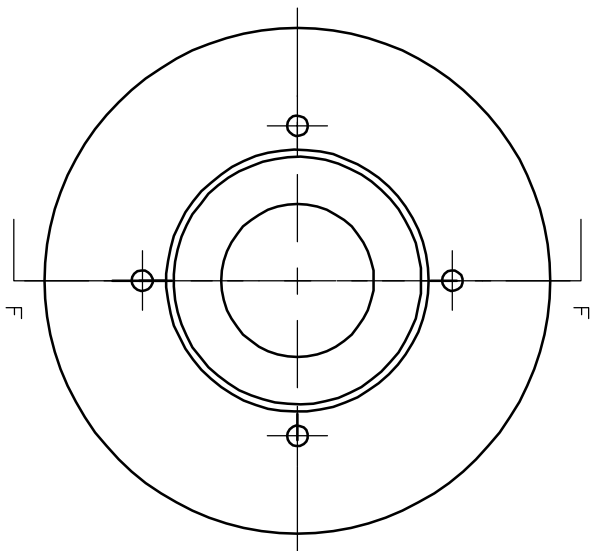
DRAWN Makey 5/29/18  
 SCALE 1:1  
 SHEET : 1/1

APR. XXX

PROJECTION

FILE XXX

SIZE	UNIT	PER CTMR DWG	DATE	REV.
A4	INCH	XXX	XX-XX-XX	X



DO NOT SCALE DRAWING

TOLERANCES :  
UNLESS OTHERWISE SPECIFIED

.XX ± .010 ANGLES ± 1/2°  
.XXX ± .005 FRACTION ± 1/64

W.T.: \_\_\_\_\_ gms

MATERIAL : HT200

FINISH : XXX

**UNPLUMBG ENTERPRISE CO. LTD.**

TITLE

FLOOR DRAIN HUB B3-2NH

ITEM No.

92516

DRAWN

Makey 5/29/18

APR.

SCALE

1 : 1

PROJECTION



SHEET : 1 / 1

FILE

XXX

REV.

A