

INSTALLATION INSTRUCTIONS
EAST LINEAR PULL DOWN
KITCHEN FAUCET
Model No's: 2500-5103

NEWPORT BRASS
Flawless Beauty. From Faucet to Finish.™



Congratulations on the purchase of your Newport Brass product, an excellent choice, that will give you years of quality service and enhance the look and style of your home.

Recommended Installation by a Professional Plumbing Contractor

Note: The use of petroleum base plumbers putty on our products will nullify the warranty. We recommend the use of clear silicone sealing materials.

If mounting faucet to stainless steel rim, an under-mount support, (e.g. wood, appropriate size x 1/2" thick), should be utilized.

1. Drill hole in mounting surface. Recommended deck hole $\varnothing 1.350"$, not to exceed $\varnothing 1.562"$.

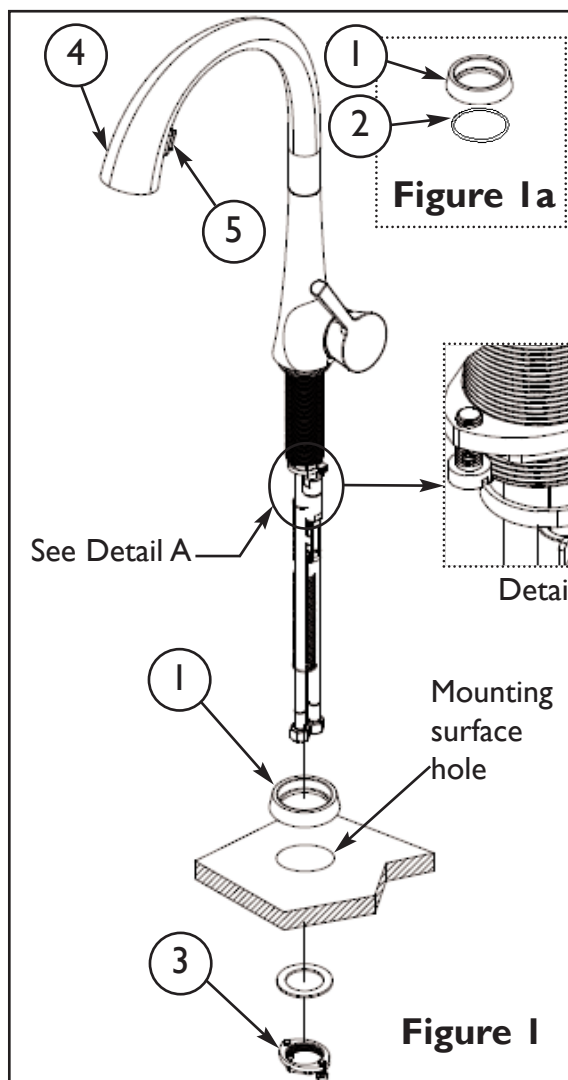
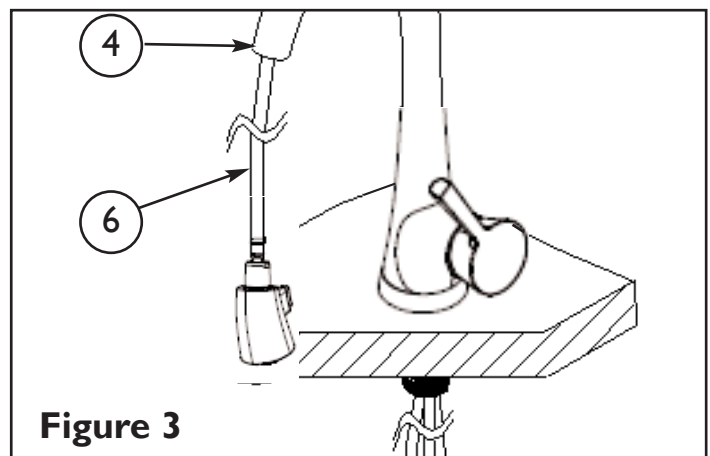
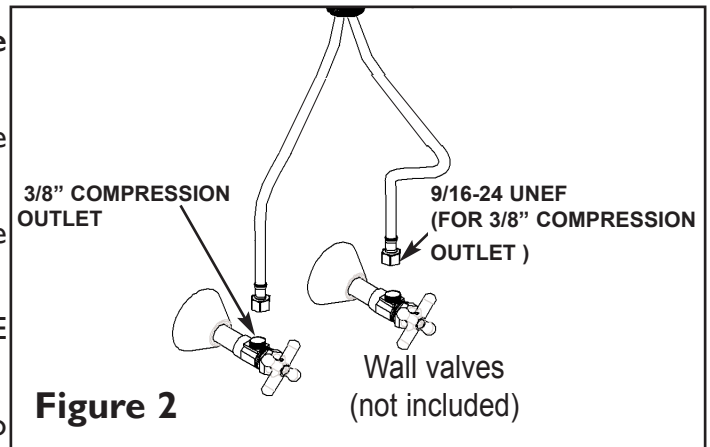
2. Place O-ring (2) on underside of base RING (1). See **Figure 1a**.

3. Insert Hoses through hole in mounting surface. Secure into place with MOUNTING KIT (3). See **Figure 1**.

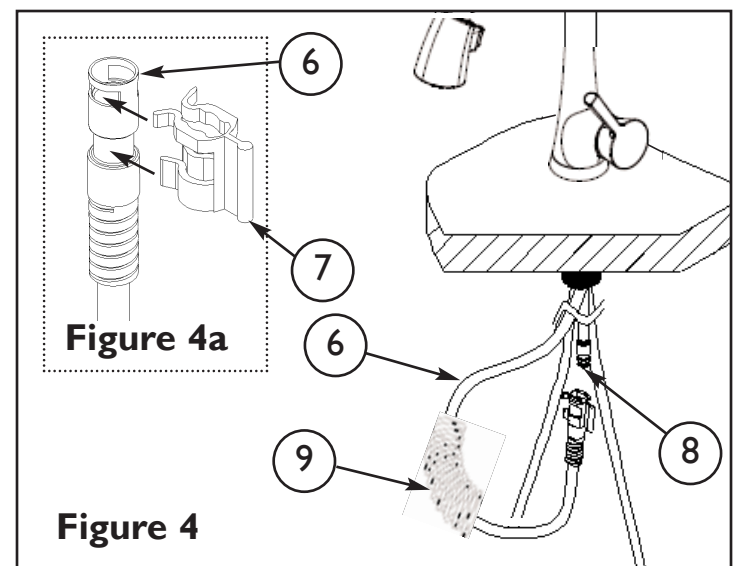
4. Attach hot/cold spout supply directly to valves in the wall. See **Fig. 2**.

5. DO NOT remove the HOSE (6) from SPOUT (4). SEE Figure 3.

6. Remove SPRING (9) from support and slide onto HOSE (6).



DO NOT REMOVE
ZIP TIE



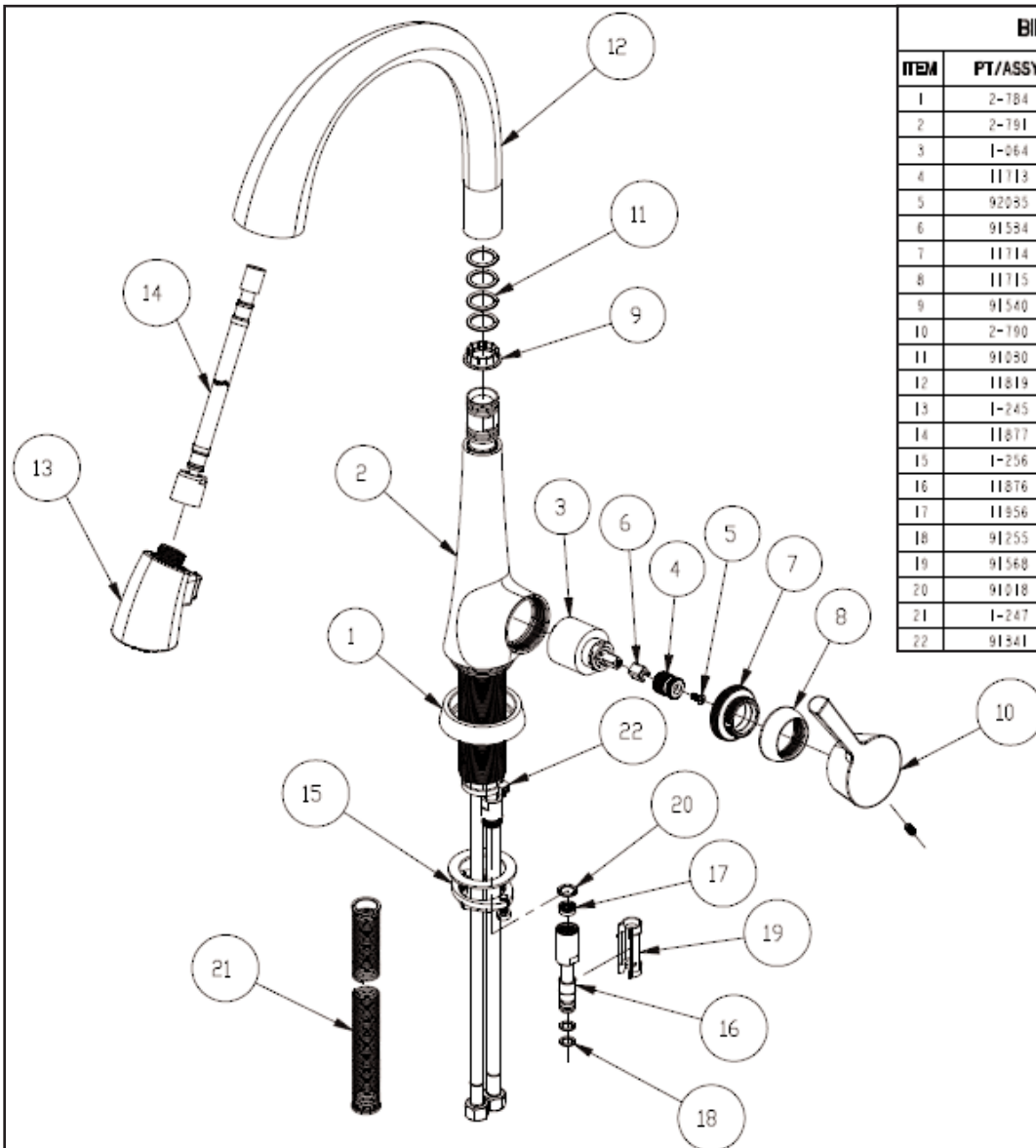
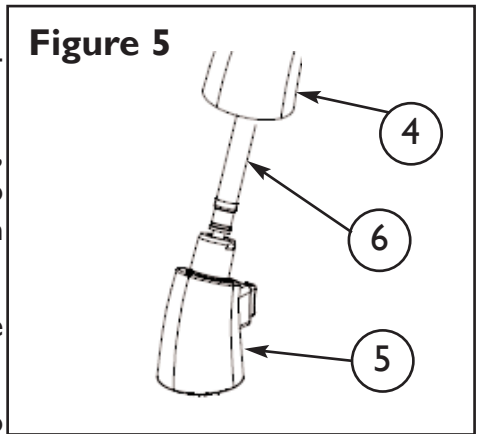
7. Attach CLIP (7) to HOSE (6) as shown. See **Figure 4a**. Connect to valve OUTLET (8) by firmly pressing together until it clicks into place. See **Figure 4**.

8. With faucet in the OFF position, open water supply valves. Inspect connections under sink for leaks. **DO NOT** turn faucet on yet.

9. Pull SPRAYHEAD (5) out from SPOUT (4). While holding HOSE (6), unscrew SPRAYHEAD (5). Aiming HOSE (6) into sink, turn on faucet to center position (mixed) and flush for one minute to remove debris from lines.

10. Turn OFF faucet and reattach SPRAYHEAD (5) to HOSE (6). See **Figure 5**.

11. Check the SPRAYHEAD (5) by operating the trigger from aerator to spray.



BILL OF MATERIAL (CURRENT LEVEL)				
ITEM	PT/ASSY	DESCRIPTION	TYPE	QTY.
1	2-784	BASE RING ASM	ASSEMBLY	1
2	2-791	MAIN BODY ASM, VESSA	ASSEMBLY	1
3	1-064	SINGLE LEVER CARTRIDGE	PART	1
4	11713	CARTRIDGE STEM ADAPTER	PART	1
5	92035	SCREW- FLT HD N4 X .7 X 10mm	PART	1
6	91584	CARTRIDGE STEM INSERT	PART	1
7	11714	CARTRIDGE RETAINER	PART	1
8	11715	CARTRIDGE CAP	PART	1
9	91540	SWIVEL SLEEVE, BOTTOM	PART	1
10	2-190	HANDLE ASM	ASSEMBLY	1
11	91090	O-RING #2-115	PART	4
12	11819	SPOUT, VESSA	PART	1
13	1-245	SPRAY HEAD, VESPERA	ASSEMBLY	1
14	11877	HOSE, PULLDOWN SWIVEL	ASSEMBLY	1
15	1-256	MOUNTING FIT	ASSEMBLY	1
16	11876	OUTLET ADAPTER, LOWER	PART	1
17	11856	FLOW REGULATOR, 1.75 GPM, LIGHT BLUE	PART	1
18	91255	O-RING, (PARMER #2-011)	PART	2
19	91568	RETAINER CLIP	PART	1
20	91018	O-RING (#2-013)	PART	1
21	1-247	SPRING RETRACTION	ASSEMBLY	1
22	91541	ZIP TIE	PART	1