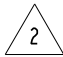
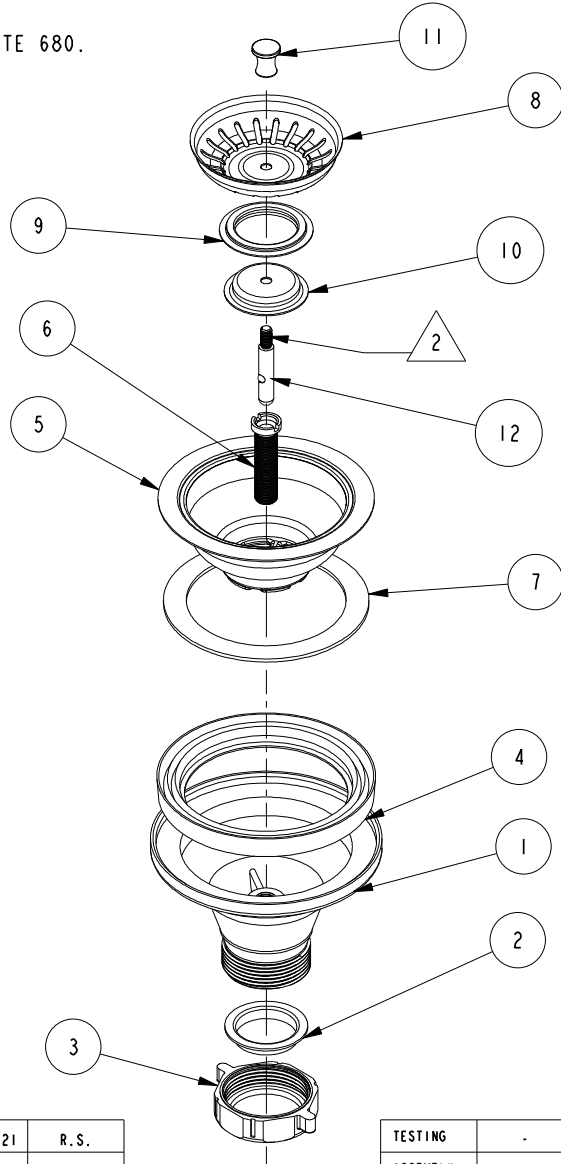


NOTES:

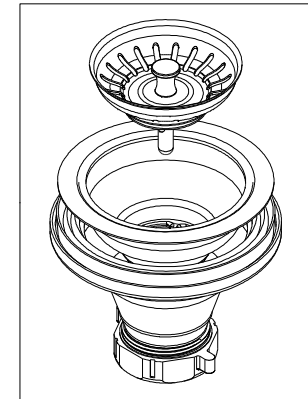
1. TO INSPECT ASSEMBLY, FOLLOW FIRST ARTICLE AND IN PROCESS INSPECTION SHEET.

 APPLY LOCTITE 680.



BILL OF MATERIAL (CURRENT LEVEL)

ITEM	PT/ASSY	DESCRIPTION	TYPE	QTY.
1	51038	FLANGE HOUSING	PART	1
2	91715	WASHER-PLASTIC	PART	1
3	51031	LOCKNUT / 1-1/2 PLS	PART	1
4	91718	GASKET	PART	1
5	51029	DRAIN BASKET BODY	PART	1
6	51053	EXTENDED THRU HOLE BOLT	PART	1
7	91716	GSKT, 3.325 ID X 4.275 OD X .08 THK FOAM	PART	1
8	51032	DRAIN BASKET	PART	1
9	91717	GASKET-STOPPER	PART	1
10	51035	FLANGE STOPPER	PART	1
11	51033	POP-UP KNOB	PART	1
12	5-062	POST ASM	ASSEMBLY	1



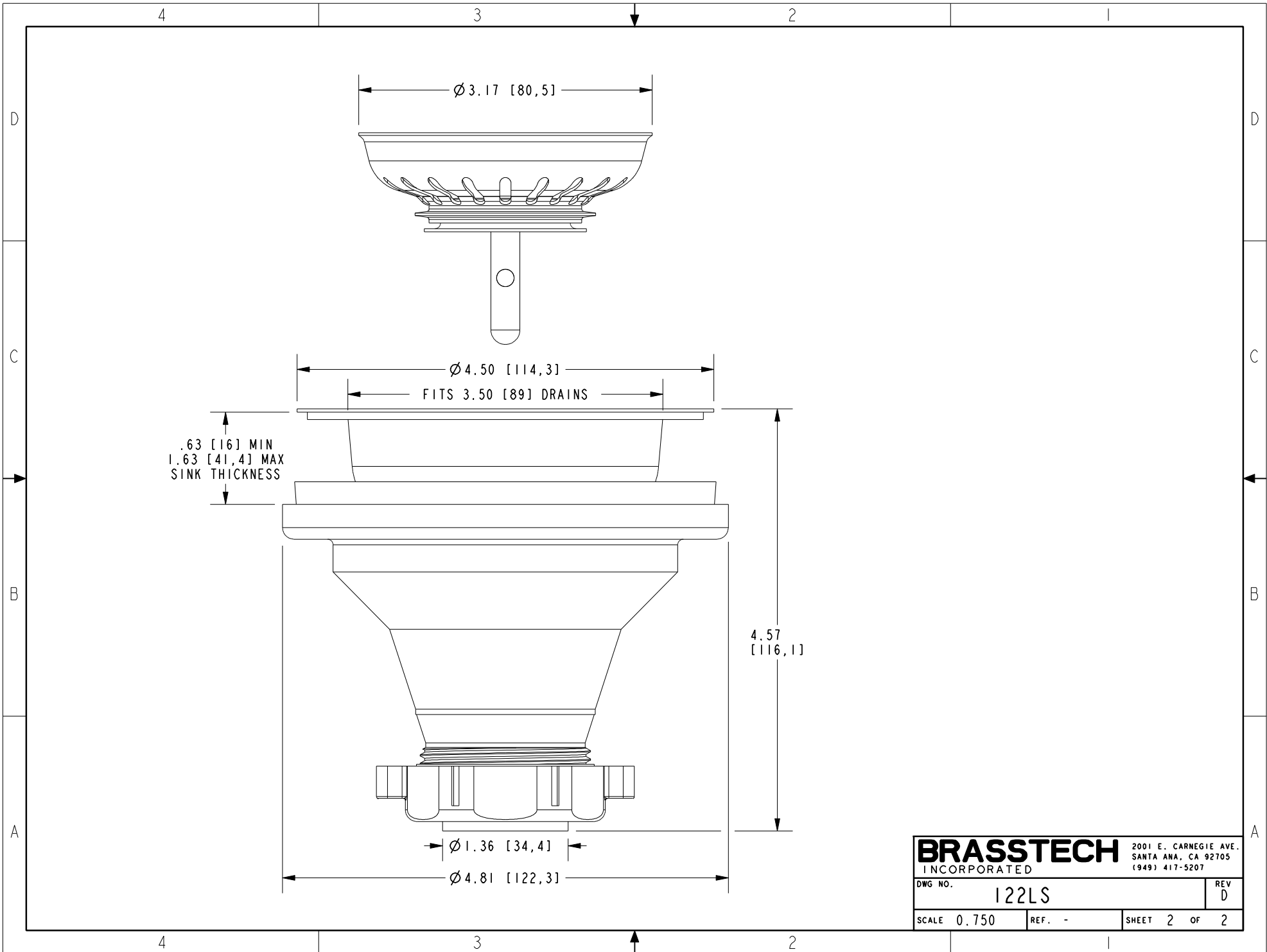
-	D	EN-430011	10/11/21	R. S.
-	C	EN-3401	09/14/17	NS
-	B	EN-3341	08/15/17	NS
-	A	EN-1966	11/14/11	V. VU
-	-	RELEASED	02/14/02	V. VU
ZONE	REV	DESCRIPTION	DATE	APPROVED

COPYRIGHT 2005 BRASSTECH, INC. THESE DRAWINGS AND THE DESIGNS DEPICTED HEREIN ARE THE PROPRIETARY PROPERTY OF BRASSTECH. ANY USE OR REPRODUCTION IS SUBJECT TO THE EXPRESS APPROVAL OF BRASSTECH. UNAUTHORIZED USE IS STRICTLY PROHIBITED. ALL RIGHTS RESERVED.

TESTING	-	-	-
ASSEMBLY	-	-	-
PLATING	-		
POLISHING	-	NEXT ASSY	USED ON
MACHINING	-	APPLICATION	
TOOLING FIXTURE #		REMOVE ALL BURRS AND SHARP EDGES	

UNITS ARE: INCHES [MM]		
TOLERANCES ARE:		
FRACTIONS	DECIMALS	ANGLES
±1/16"	.X ±.1 [2.5]	±1°
	.XX ±.06 [1.5]	
(X.XXX) DENOTES CRITICAL DIMS. ALL THREADS ARE CRITICAL		
DRAWN	H. LE	02/14/02
CHECKED	V. VU	02/14/02
APPROVED	V. VU	02/14/02

BRASSTECH		2001 CARNEGIE AVE. SANTA ANA, CA 92705 (949) 417-5207	
INCORPORATED			
BASKET STRAINER w/ 1" EXTENSION			
DWG NO.		REV	
122LS		D	
SCALE	REF.	SHEET	OF
0.250	-	1	2



BRASSTECH		2001 E. CARNEGIE AVE. SANTA ANA, CA 92705 (949) 417-5207	
DWG NO.	122LS	REV	D
SCALE	0.750	REF.	-
SHEET		2	OF 2