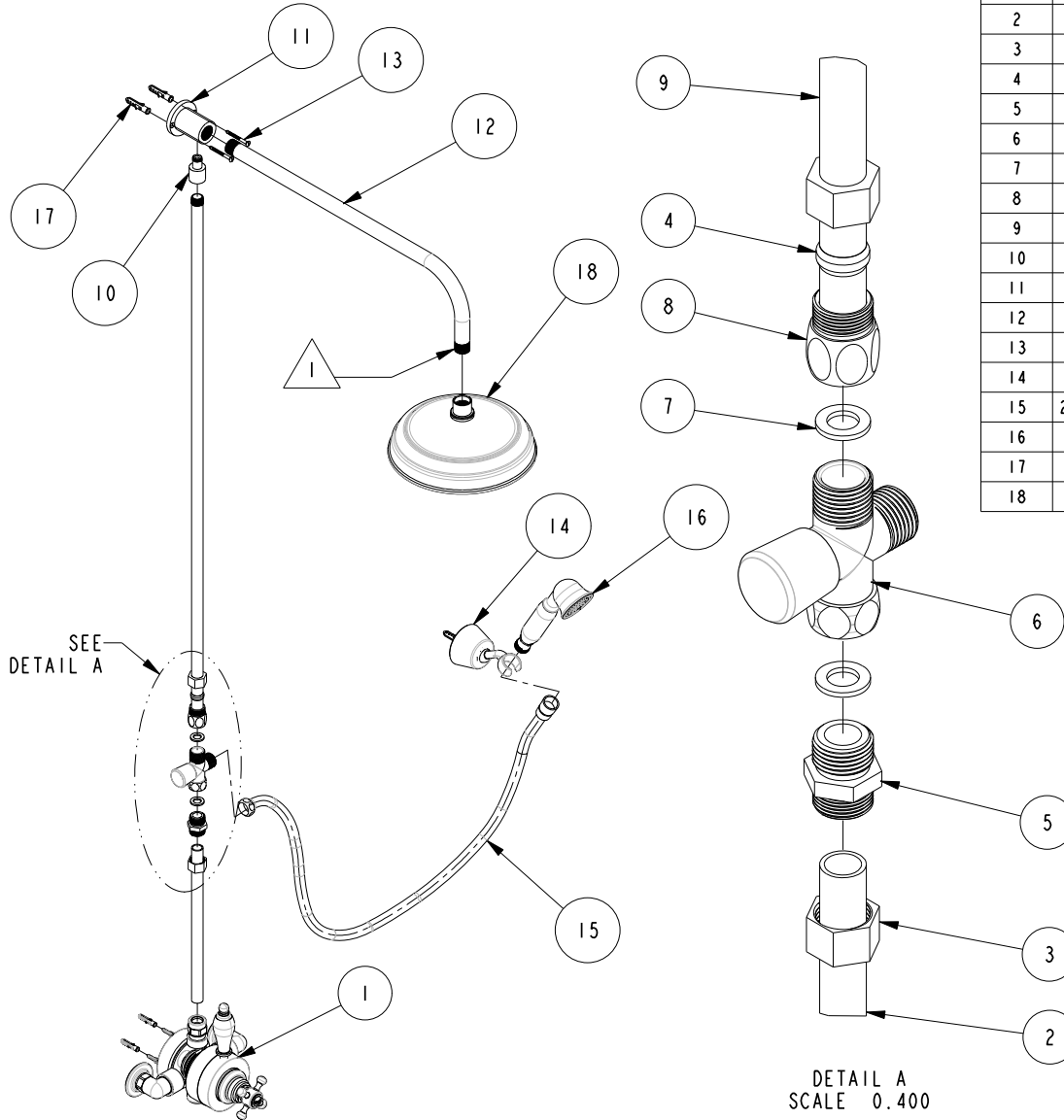


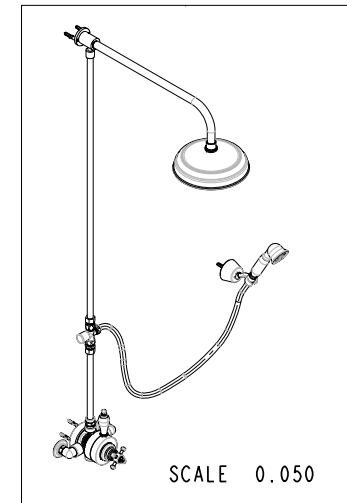
NOTES:

1. PLUMBER REQUIRED TO APPLY TEFLON TAPE.



BILL OF MATERIAL (CURRENT LEVEL)

ITEM	PT/ASSY	DESCRIPTION	TYPE	QTY.
1	3-203	EXPOSED THERMO VALVE ASM	ASSEMBLY	1
2	10976	LOWER RISER TUBE - 10.0"	PART	1
3	50678	COMP NUT 1/2" Cu PIPE	PART	2
4	50362	COMPRESSION RING	PART	2
5	10979	ADAPTER 1/2" MPS X 5/8" COMP	PART	1
6	286	DIVERTER VALVE FOR SHOWER	ASSEMBLY	1
7	91153	WSHR .438 X .738	PART	1
8	10978	ADAPTER 1/2" FPS X 5/8" COMP	PART	1
9	10977	UPPER RISER TUBE - 34.5"	PART	1
10	10861	ELBOW ADAPTER	PART	1
11	10860	WALL ELBOW	PART	1
12	2021	90° 1/8" SHWR ARM	PART	1
13	92051	SCREW #8 X 1-3/4	PART	2
14	287	COMPL. BRACKET - HANDSHOWER	ASSEMBLY	1
15	284.FIG1017	59" HOSE	PART	1
16	281	HANDSHOWER ASM	ASSEMBLY	1
17	91369	WALL ANCHOR PLASTIC	PART	2
18	2091	8" SHOWERHEAD	ASSEMBLY	1



COPYRIGHT 2005 BRASSTECH, INC. THESE DRAWINGS AND THE DESIGNS DEPICTED HEREIN ARE THE PROPRIETARY PROPERTY OF BRASSTECH. ANY USE OR REPRODUCTION IS SUBJECT TO THE EXPRESS APPROVAL OF BRASSTECH. UNAUTHORIZED USE IS STRICTLY PROHIBITED. ALL RIGHTS RESERVED.

BRASSTECH
INCORPORATED
2001 E. CARNEGIE AVE.
SANTA ANA, CA 92705
(949) 417-5207

SHOWER SET-EXPOSED

ASSY. NO. 1016

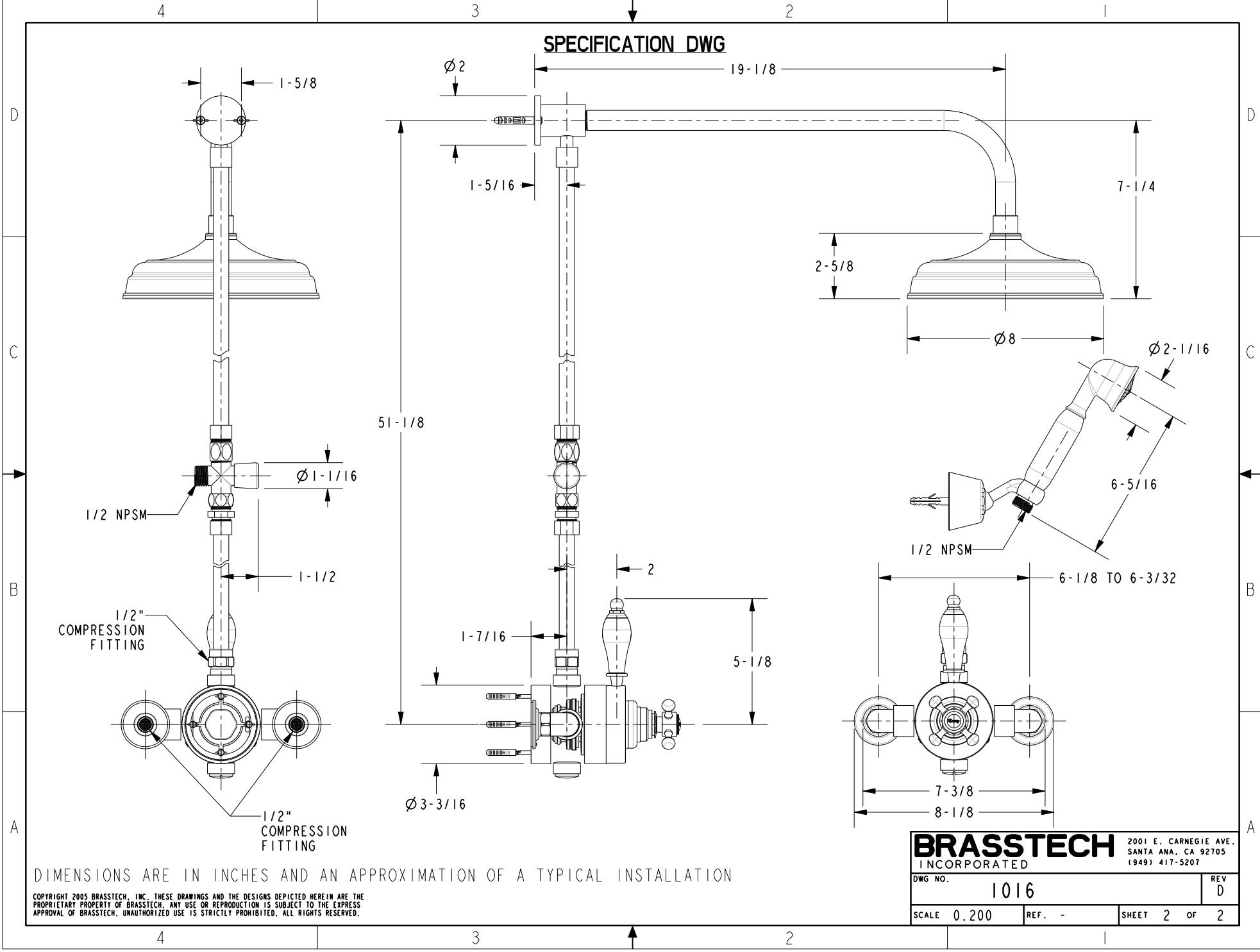
SCALE 0.100

REF. -

SHEET 1 OF 2

D	EN-1551	05/06/10
C	EO-0671	05/09/06
B	EO-0372	06/09/04
A	EO-0318	02/13/04
-	RELEASED	11/04/03
REV	REV DESC	DATE

SPECIFICATION DWG



DIMENSIONS ARE IN INCHES AND AN APPROXIMATION OF A TYPICAL INSTALLATION

COPYRIGHT 2005 BRASSTECH, INC. THESE DRAWINGS AND THE DESIGNS DEPICTED HEREIN ARE THE PROPRIETARY PROPERTY OF BRASSTECH. ANY USE OR REPRODUCTION IS SUBJECT TO THE EXPRESS APPROVAL OF BRASSTECH. UNAUTHORIZED USE IS STRICTLY PROHIBITED. ALL RIGHTS RESERVED.

BRASSTECH		2001 E. CARNEGIE AVE.	
INCORPORATED		SANTA ANA, CA 92705	
		(949) 417-5207	
DWG NO.	1016	REV	D
SCALE	0.200	REF.	-
		SHEET 2 OF 2	