

4

3

2

1

D

D

C

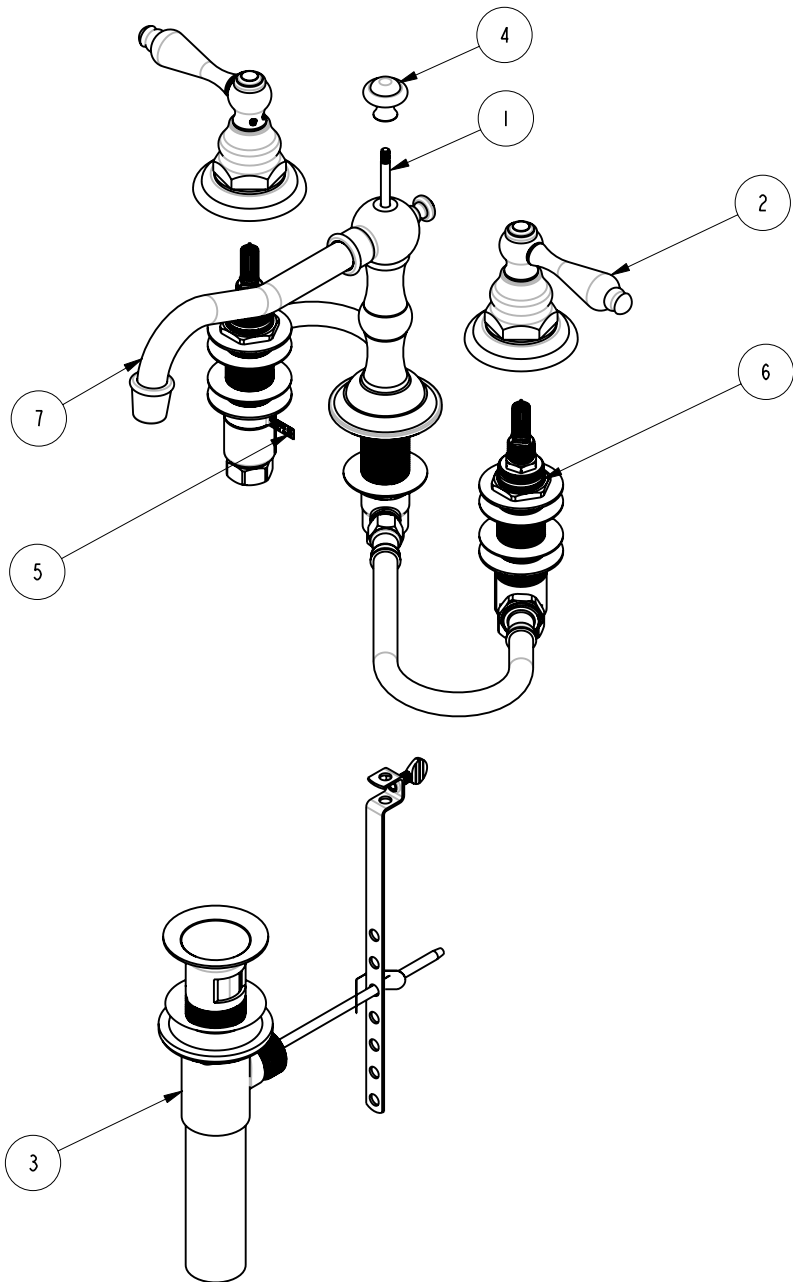
C

B

B

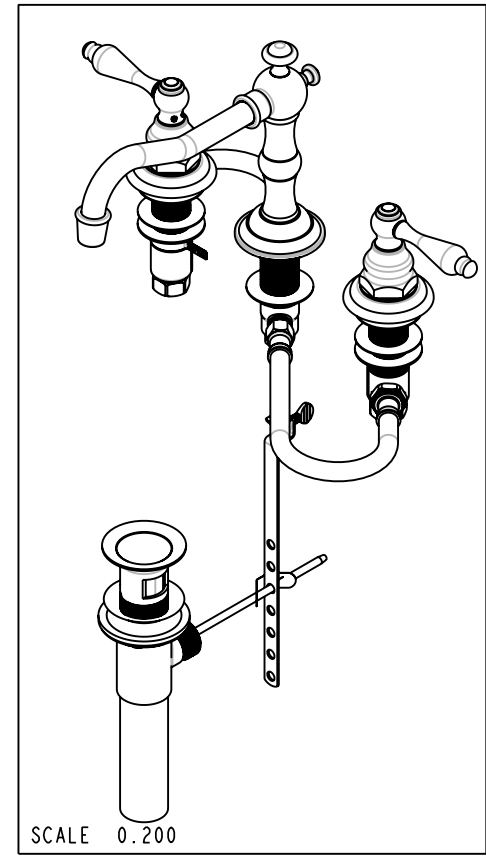
A

A



BILL OF MATERIAL (CURRENT LEVEL)

ITEM	PT/ASSY	DESCRIPTION	TYPE	QTY.
1	10288	3/16" POP UP ROD	PART	1
2	3-163L	LEVER HANDLE ASM	ASSEMBLY	2
3	325	POP UP ASSEMBLY	ASSEMBLY	1
4	10289	POP-UP KNOB	PART	1
5	98037	STICKER LABEL A112.18.1	PART	1
6	1-525	W/S VALVE INSTALLATION	ASSEMBLY	1
7	3-168	WIDE SPREAD SPOUT ONLY	ASSEMBLY	1



SCALE 0.200

COPYRIGHT 2005 BRASSTECH, INC. THESE DRAWINGS AND THE DESIGNS DEPICTED HEREIN ARE THE PROPRIETARY PROPERTY OF BRASSTECH. ANY USE OR REPRODUCTION IS SUBJECT TO THE EXPRESS APPROVAL OF BRASSTECH. UNAUTHORIZED USE IS STRICTLY PROHIBITED. ALL RIGHTS RESERVED.

BRASSTECH
 INCORPORATED
 2001 E. CARNEGIE AVE.
 SANTA ANA, CA 92705
 (949) 417-5207

WIDESPREAD FAUCET

ASSY. NO.		930L			
SCALE 0.250	REF. -	SHEET 1 OF 2	REV	REV DESC	DATE
				EO-0714	05/26/06

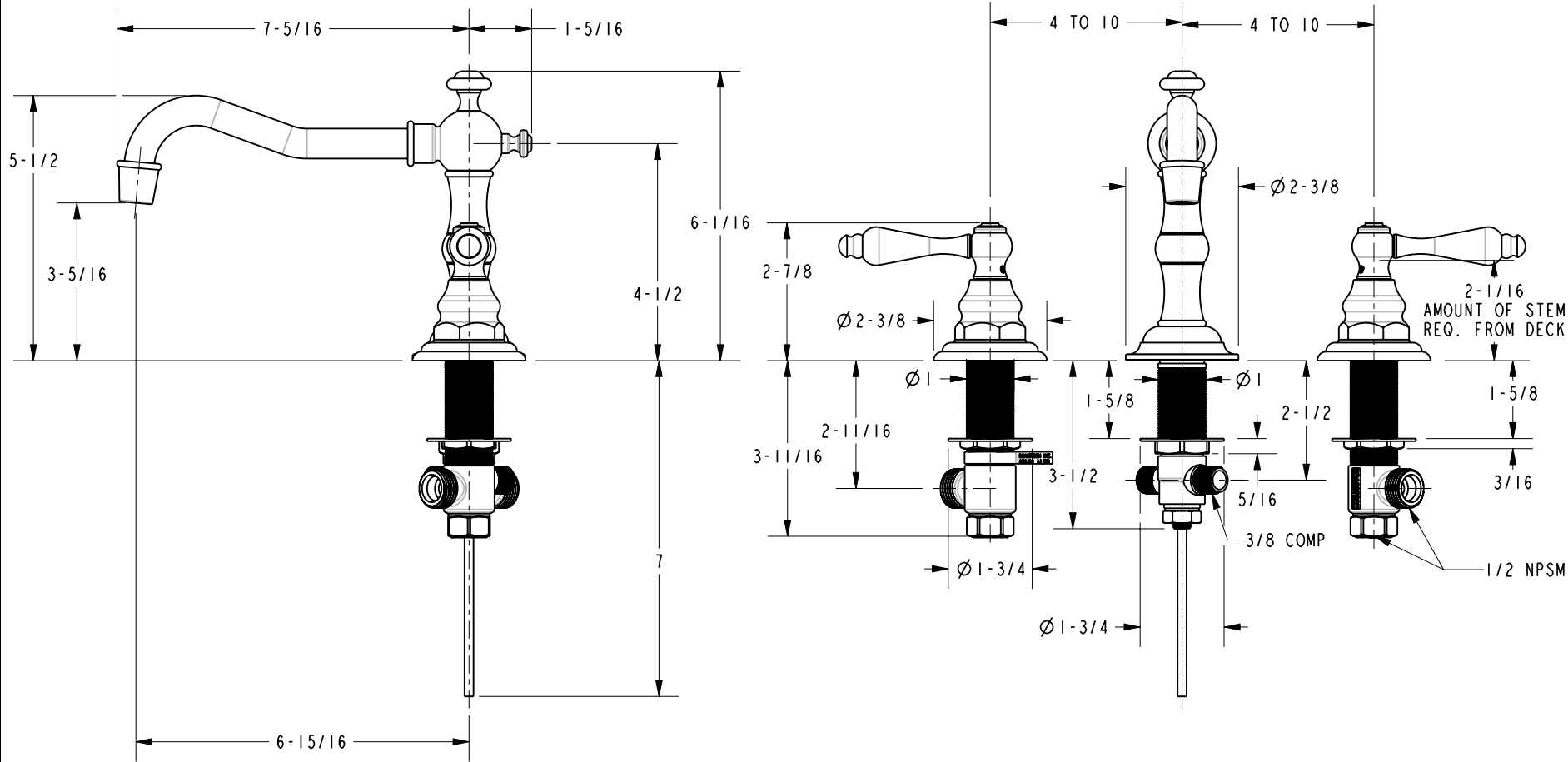
4

3

2

1

SPECIFICATION DWG



DIMENSIONS ARE IN INCHES AND AN APPROXIMATION OF A TYPICAL INSTALLATION

COPYRIGHT 2005 BRASSTECH, INC. THESE DRAWINGS AND THE DESIGNS DEPICTED HEREIN ARE THE PROPRIETARY PROPERTY OF BRASSTECH. ANY USE OR REPRODUCTION IS SUBJECT TO THE EXPRESS APPROVAL OF BRASSTECH. UNAUTHORIZED USE IS STRICTLY PROHIBITED. ALL RIGHTS RESERVED.

BRASSTECH		2001 E. CARNEGIE AVE.
INCORPORATED		SANTA ANA, CA 92705
		(949) 417-5207
DWG NO.	930L	REV -
SCALE 0.300	REF. -	SHEET 2 OF 2