

How To Care For Your Newport Brass Faucet

The Newport Brass bath fittings you have purchased are made of solid brass and are of the finest quality. To maintain this beautiful finish on these items, please;

Do not use any abrasive cleaners, detergents or brass polish which will scratch the surface. Clean with mild soap and water using a soft cloth. A coating of non-abrasive liquid wax, such as our own "Brass Protec" or equivalent, over the clean surface of the product will keep it looking beautiful.

In order to prevent finishes such as Antique Brass from tarnishing (a natural reaction), we apply a coating of clear epoxy to the finished surface. If the clear coating is scratched or abraded to the point where there is no coating left, oxidation (tarnishing) will occur and brown spots will appear.

Do not allow soap scum or minerals in water to build up on the surface finish of your bath fittings. This will gradually eat into any finish and diminish the beauty of your fittings.

Warranty

Newport Brass products are warranted to the original purchaser to be free of defects in material and workmanship for a period of 10 years in all finishes except as follows: Forever Brass® (01) P.V.D., Polished Chrome (26), Stainless Steel (20) P.V.D., Oil Rubbed Bronze (10B), and powder-coated colors have a lifetime warranty. Uncoated finishes such as: Uncoated Brass (03N), Weathered Brass (03W) and Weathered Copper (08W) have no finish warranty.

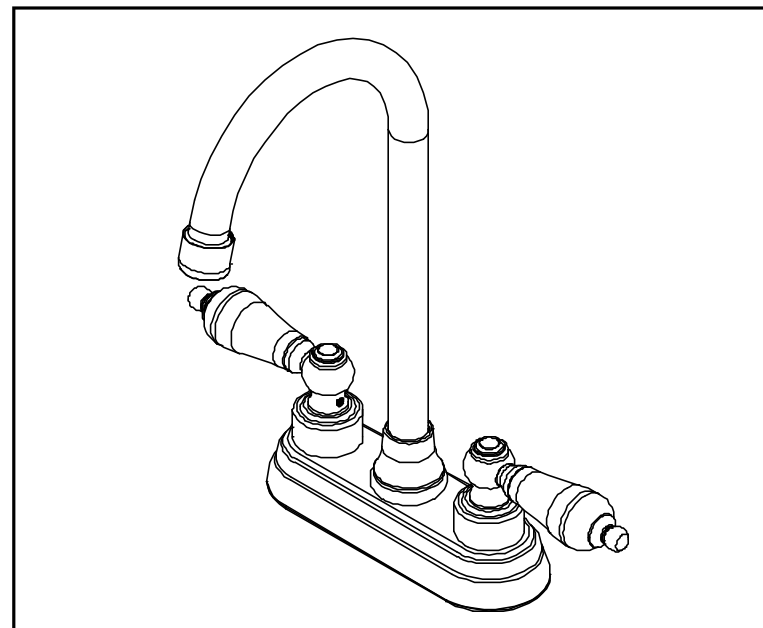
The warranty period starts from the date of shipment to the original purchaser. Kitchen, bath or lavatory drains of all types, due to abuse to which they may be subjected, are warranted as follows: Powder-coated colors, polished Chrome (26) Satin Chrome(26D), Oil Rubbed Bronze (10B), Forever Brass (01) or Stainless Steel(20) - 1 year. In all other finishes - no warranty on the finish for these products.

Ceramic disc valves (lavatory, tub/shower, and roman tub valves) have a lifetime warranty. Other valve types (balance pressure, thermostatic, etc.) are warranted for one year from the date of purchase on mechanical operations.

Flush pipes prior to installation. Solder and other debris may damage ceramic discs and void warranty. Cartridges are factory torque set @ 14-16 ft.-lbs.

Product problems attributable to abuse, misuse, improper installation, hard water, maintenance or accidental damage are not covered by this warranty. No repairs or replacements will be made under such circumstances except at customer's expense. Liability under all warranties expressed or implied is limited to replacement of defective goods only.

BAR FAUCET INSTALLATION INSTRUCTIONS MODEL NO. 808, 818, 918



Congratulations on the purchase of this Newport Brass product, an excellent choice that will give you years of quality service and enhance the look and style of your home.

Recommended Installation by a Professional Plumbing Contractor

Note: The use of petroleum base plumbers putty on our products will nullify the warranty. We recommend the use of clear silicone sealing materials.

1. Apply a bead of silicone on underside perimeter of bar faucet base.
2. Remove flange nut, washer, cone washer and lock nut from cartridge shank and place faucet assembly through mounting deck holes. See Fig. 1.
3. Re-assembly cartridge shanks and secure into place.
4. Insert water supplies, (1/2" O.D. copper risers), to end of cartridge risers and secure with lock nut. See Fig. 2
5. Remove aerator from spout, turn on water supply, and flush both valves until water is clear. Check for leaks and make any final adjustments required. Re-attach aerator to the spout.

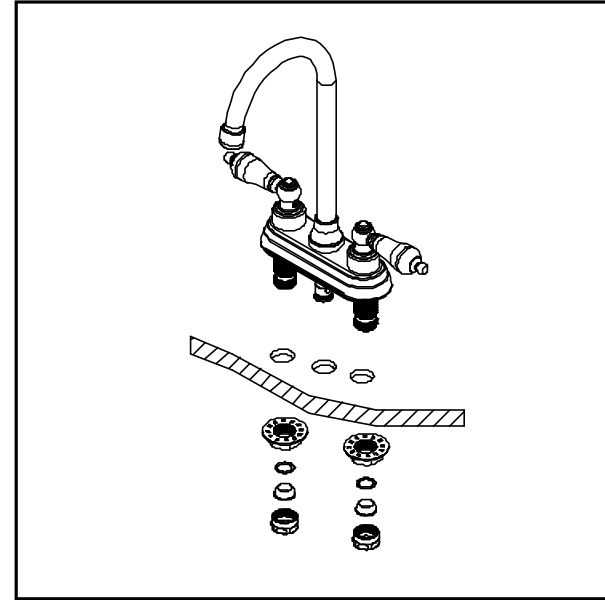


Figure 1

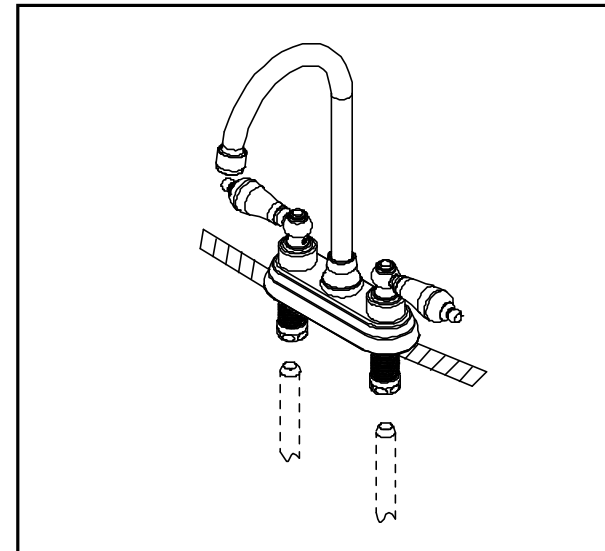


Figure 2