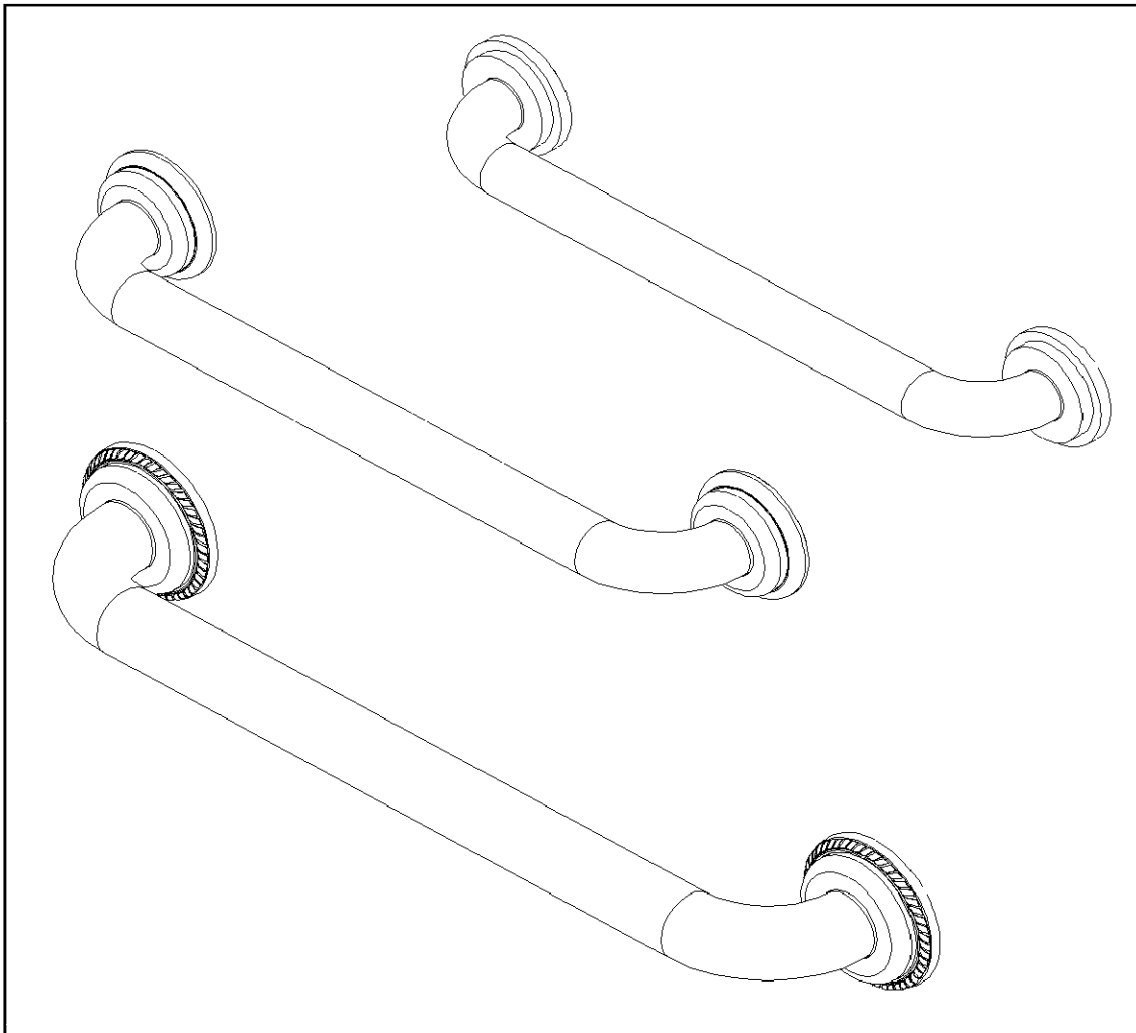


**GRAB BAR
INSTALLATION INSTRUCTIONS**

MODEL No's:

10-36 thru 40, 15-36 thru 40, 16-36 thru 40, and 22-36 thru 40



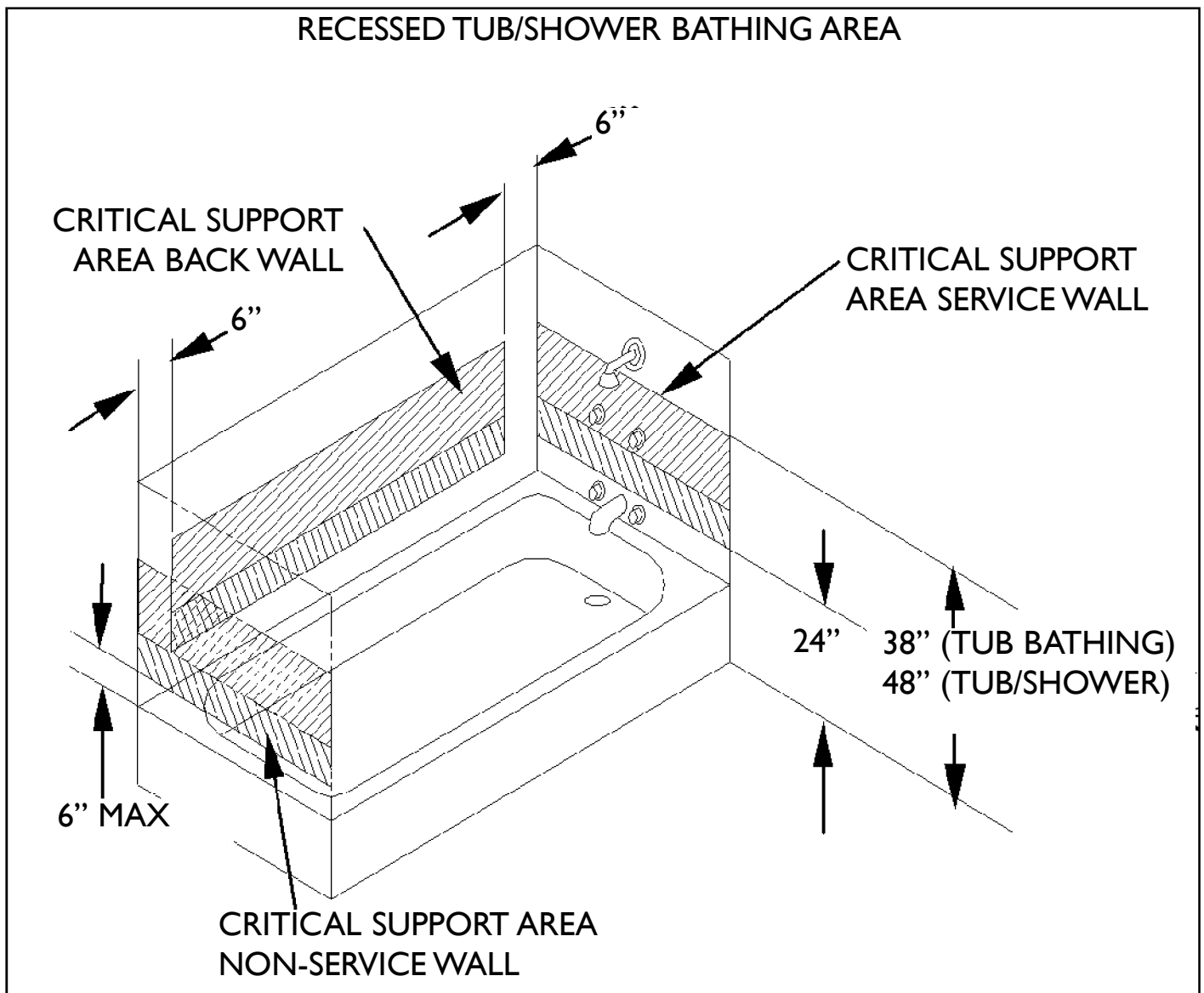
**Congratulations on the purchase
of this Amenities product,
an excellent choice that will give you
years of quality service and enhance
the look and style of your home**

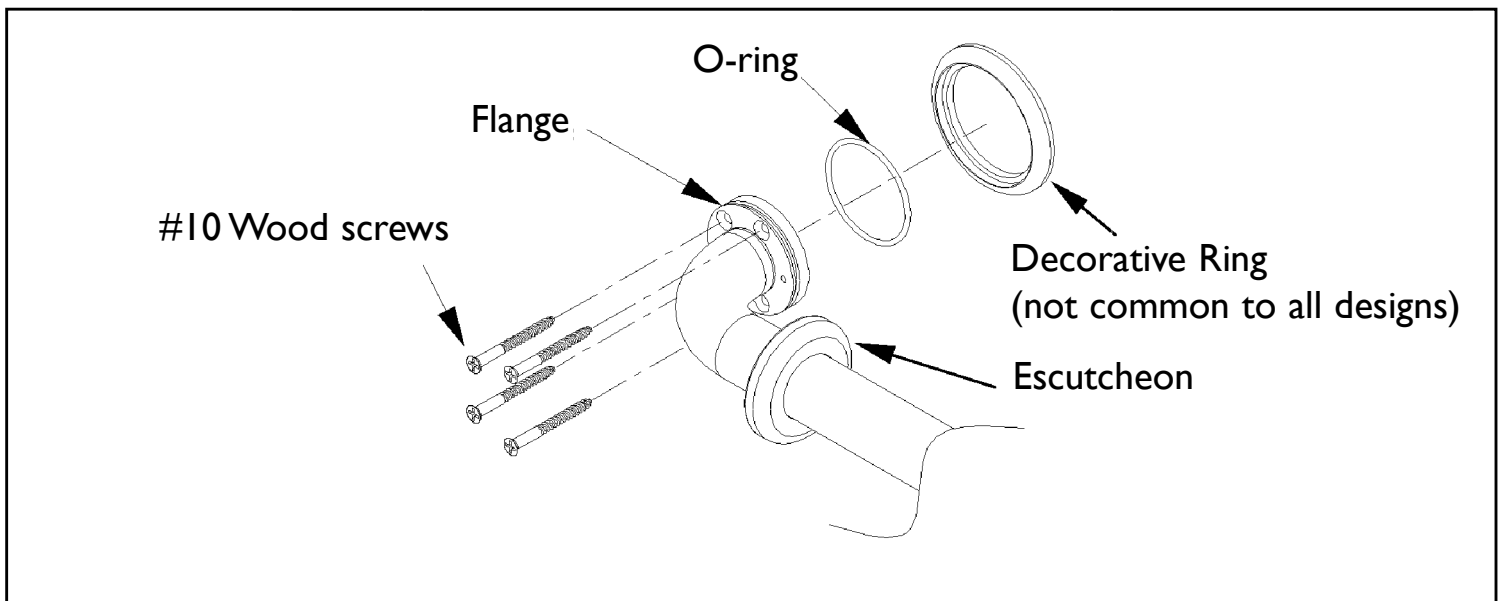
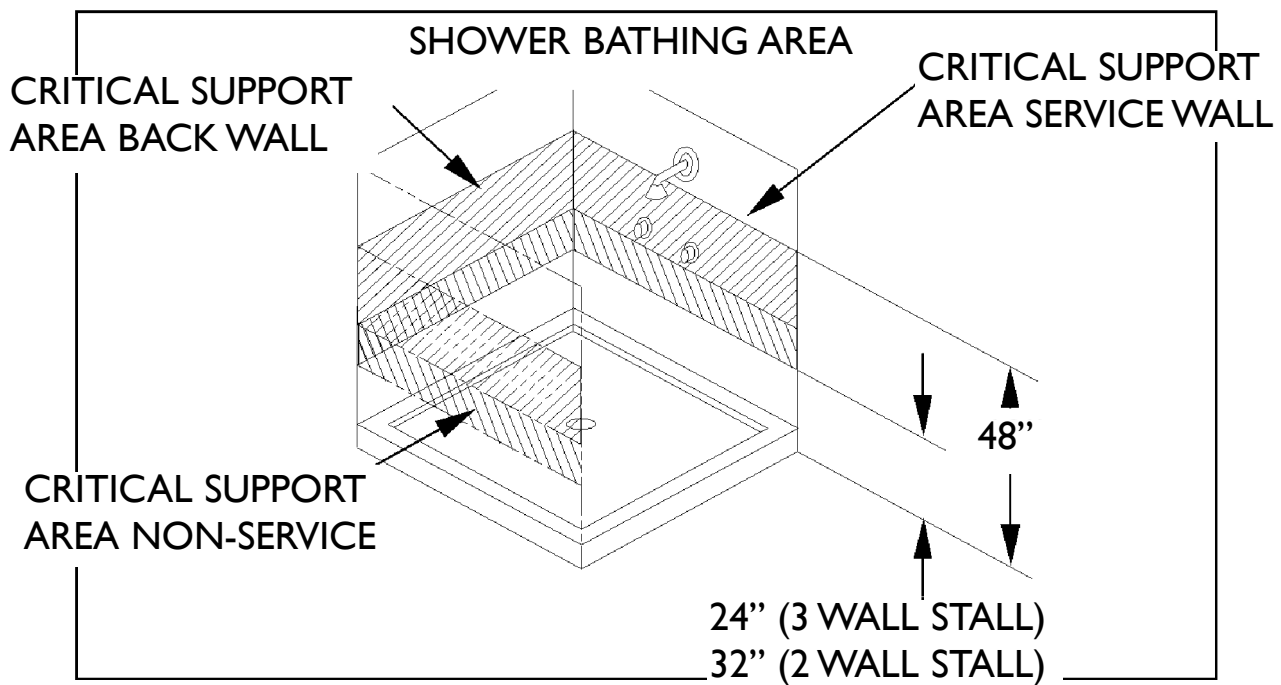
Recommended Installation by a Professional Contractor

Grab bars are to be installed in the critical support area as follows:

TUB - A horizontal grab bar(s) shall be installed on the back wall critical support area with a total minimum length equal to 30% of the horizontal length of the critical support area. A horizontal or vertical grab bar(s) shall be installed in the critical support area on either the service or non-service wall. A minimum horizontal graspable length of 9" (230mm). A minimum vertical graspable length of 6" (152mm) and shall be installed in the tub entrance area. See detail below.

SHOWER - A horizontal grab bar(s) shall be installed in the critical support area on either the service, back or non-service wall. A minimum graspable length of 9" (230mm).





Installation Notes:

The (8)#10 screws provided are for installation into wood, (proper installation requires all 8 be used). The installer should provide hardware for other installation applications. Use flat head fasteners only. This product has been tested to meet or exceed loads mandated by the Americans with disabilities act and ASTM F446, (minimum 250lbs). However, it is the responsibility of the architect, builder and installer to ensure that the mounting area is secure and that proper mounting hardware is used.

Installation:

1. Locate grab bar as required and mark hole pattern.
2. Remove grab bar and pre-drill hole pattern for #10 screws (8 places)
3. Install o-ring onto grab bar flange
4. Where applicable, install decorative ring onto end of flange.
5. Locate grab bar, o-ring and decorative ring into place by aligning pre-drilled holes and flange hole pattern.
6. Attach to mounting surface using all 8 screws provided.
7. Slide escutcheon around bend and press into place over flange o-ring. Wetting o-ring aids installation.