

4

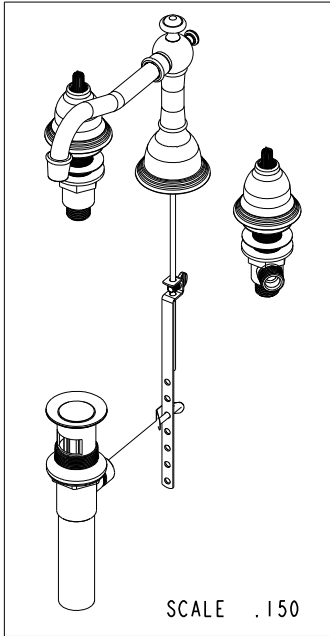
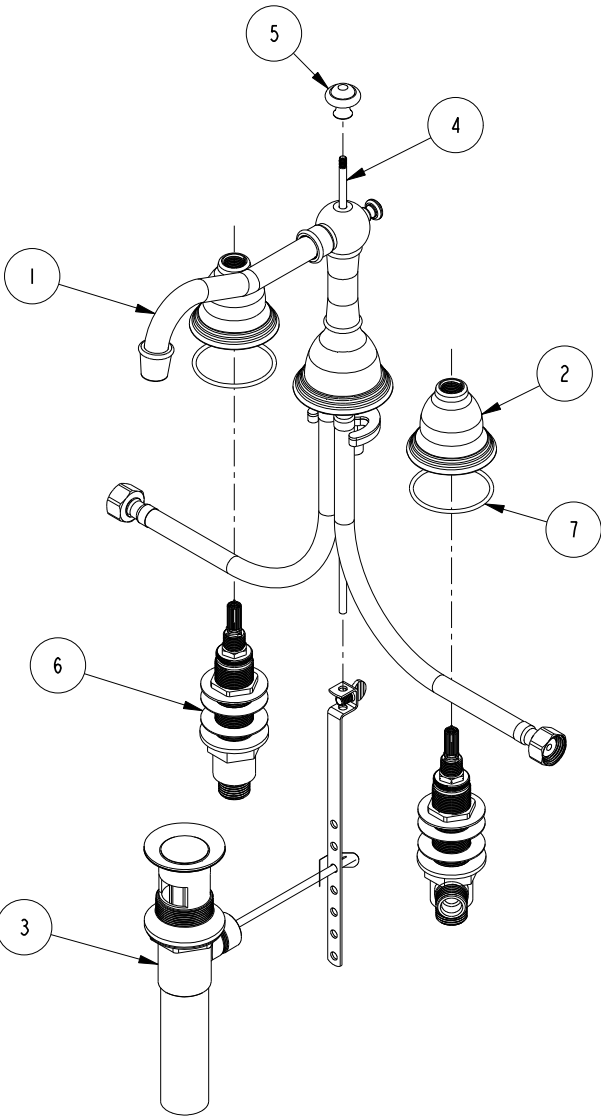
3

2

1

BILL OF MATERIAL (CURRENT LEVEL)

ITEM	PT/ASSY	DESCRIPTION	TYPE	QTY.
1	3-358	WIDE SPREAD SPOUT	ASSEMBLY	1
2	10016	ESCUTCHEON BELL	PART	2
3	325	POP UP ASSEMBLY	ASSEMBLY	1
4	30070	POP-UP ROD	PART	1
5	10289	POP-UP KNOB	PART	1
6	1-525	W/S VALVE INSTALLATION	ASSEMBLY	1
7	91231	O-RING, #2-136, EPDM, 65-75 DURO	PART	2



COPYRIGHT 2005 BRASSTECH, INC. THESE DRAWINGS AND THE DESIGNS DEPICTED HEREIN ARE THE PROPRIETARY PROPERTY OF BRASSTECH. ANY USE OR REPRODUCTION IS SUBJECT TO THE EXPRESS APPROVAL OF BRASSTECH. UNAUTHORIZED USE IS STRICTLY PROHIBITED. ALL RIGHTS RESERVED.

BRASSTECH
 INCORPORATED
 2001 E. CARNEGIE AVE.
 SANTA ANA, CA 92705
 (949) 417-5207

WIDESPREAD

ASSY. NO. 7300

SCALE .200

REF. -

SHEET 1 OF 2

D	EN-2348b	12/20/13
C	EN-2553	07/02/13
B	EN-1616	09/13/10
A	EO-1047	08/07/08
-	EO-0554	08/15/05
REV	REV DESC	DATE

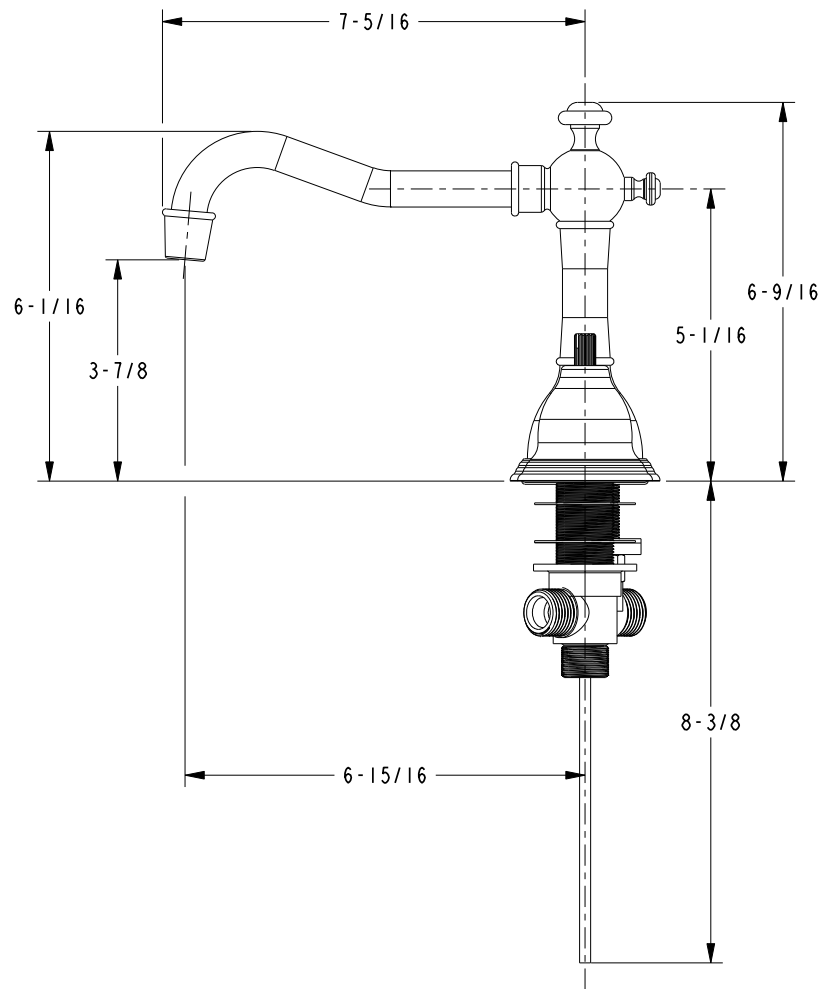
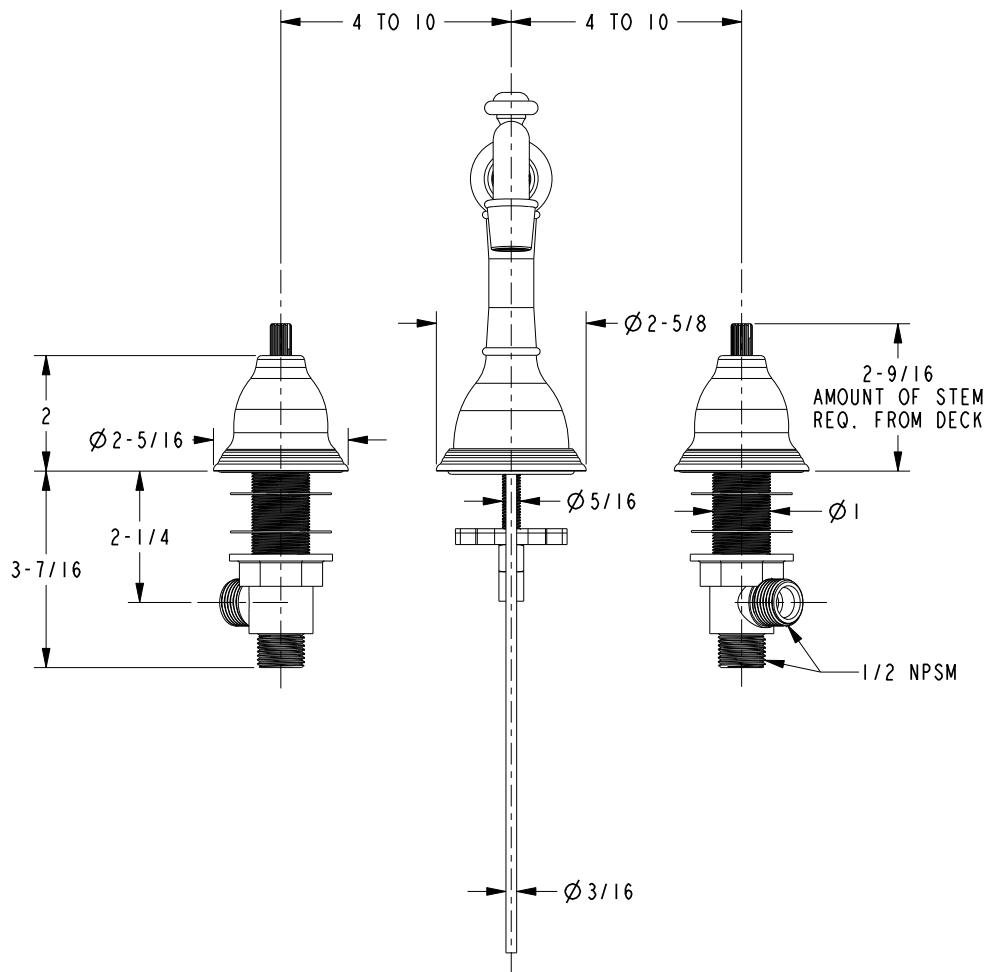
4

3

2

1

SPECIFICATION DWG



DIMENSIONS ARE IN INCHES AND AN APPROXIMATION OF A TYPICAL INSTALLATION

COPYRIGHT 2005 BRASSTECH, INC. THESE DRAWINGS AND THE DESIGNS DEPICTED HEREIN ARE THE PROPRIETARY PROPERTY OF BRASSTECH. ANY USE OR REPRODUCTION IS SUBJECT TO THE EXPRESS APPROVAL OF BRASSTECH. UNAUTHORIZED USE IS STRICTLY PROHIBITED. ALL RIGHTS RESERVED.

BRASSTECH		2001 CARNEGIE AVE.
INCORPORATED		SANTA ANA, CA 92705
		(949) 417-5207
DWG NO.	7300	REV D
SCALE .300	REF. -	SHEET 2 OF 2