

4

3

2

1

D

D

C

C

B

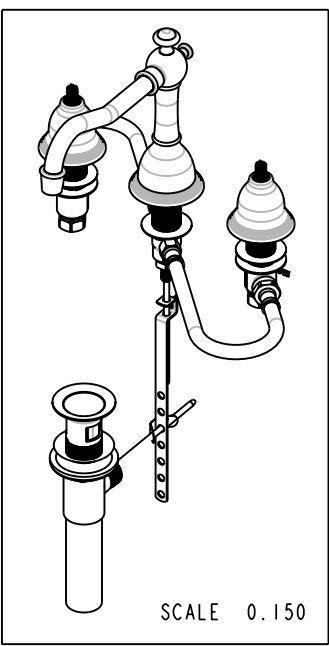
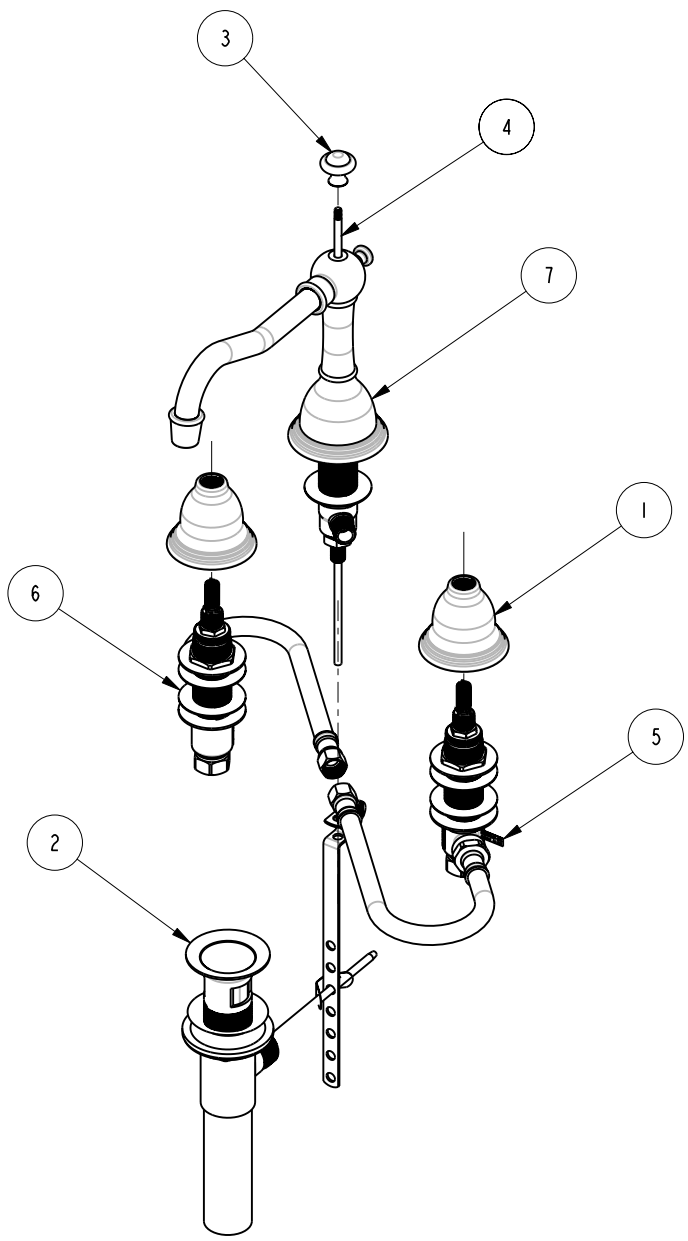
B

A

A

BILL OF MATERIAL (CURRENT LEVEL)

ITEM	PT/ASSY	DESCRIPTION	TYPE	QTY.
1	10016	ESCUTCHEON BELL	PART	2
2	325	POP UP ASSEMBLY	ASSEMBLY	1
3	10289	POP-UP KNOB	PART	1
4	30070	POP-UP ROD	PART	1
5	98037	STICKER LABEL A112.18.1	PART	1
6	1-525	W/S VALVE INSTALLATION	ASSEMBLY	1
7	3-319	WIDE SPREAD SPOUT	ASSEMBLY	1



COPYRIGHT 2005 BRASSTECH, INC. THESE DRAWINGS AND THE DESIGNS DEPICTED HEREIN ARE THE PROPRIETARY PROPERTY OF BRASSTECH. ANY USE OR REPRODUCTION IS SUBJECT TO THE EXPRESS APPROVAL OF BRASSTECH. UNAUTHORIZED USE IS STRICTLY PROHIBITED. ALL RIGHTS RESERVED.

BRASSTECH
 INCORPORATED
 2001 E. CARNEGIE AVE.
 SANTA ANA, CA 92705
 (949) 417-5207

WIDESPREAD

ASSY. NO.		7300			
SCALE 0.200	REF. -	SHEET 1 OF 2	REV	EO-0554	08/15/05
			REV DESC	DATE	

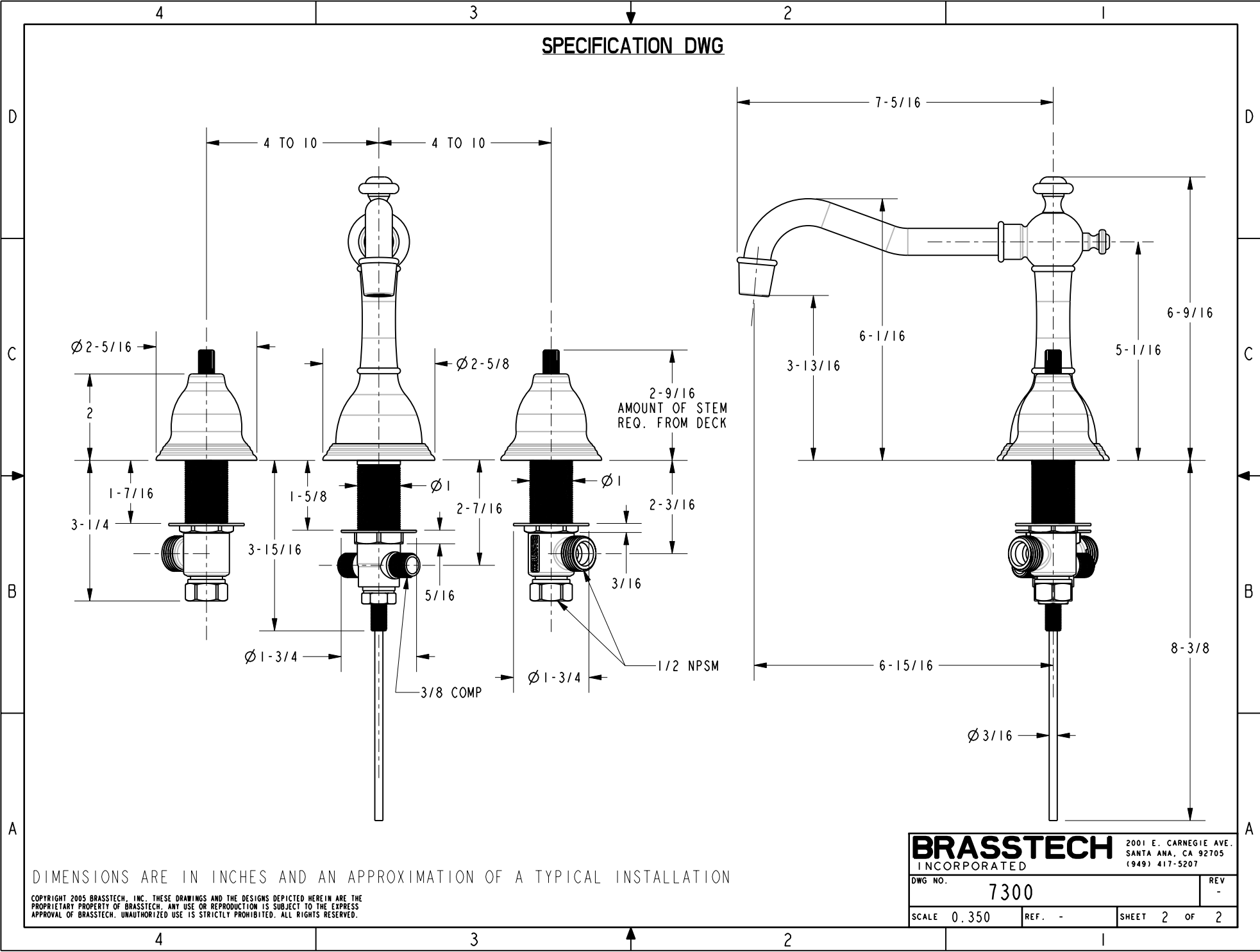
4

3

2

1

SPECIFICATION DWG



DIMENSIONS ARE IN INCHES AND AN APPROXIMATION OF A TYPICAL INSTALLATION

COPYRIGHT 2005 BRASSTECH, INC. THESE DRAWINGS AND THE DESIGNS DEPICTED HEREIN ARE THE PROPRIETARY PROPERTY OF BRASSTECH. ANY USE OR REPRODUCTION IS SUBJECT TO THE EXPRESS APPROVAL OF BRASSTECH. UNAUTHORIZED USE IS STRICTLY PROHIBITED. ALL RIGHTS RESERVED.

BRASSTECH		2001 E. CARNEGIE AVE.
INCORPORATED		SANTA ANA, CA 92705
		(949) 417-5207
DWG NO.	7300	REV -
SCALE	0.350	SHEET 2 OF 2