

4

3

2

1

D

D

C

C

B

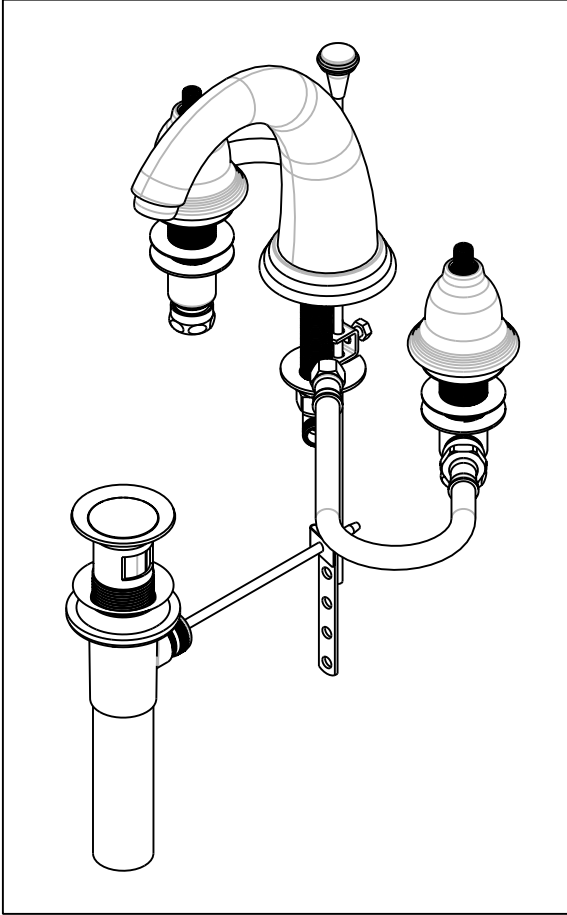
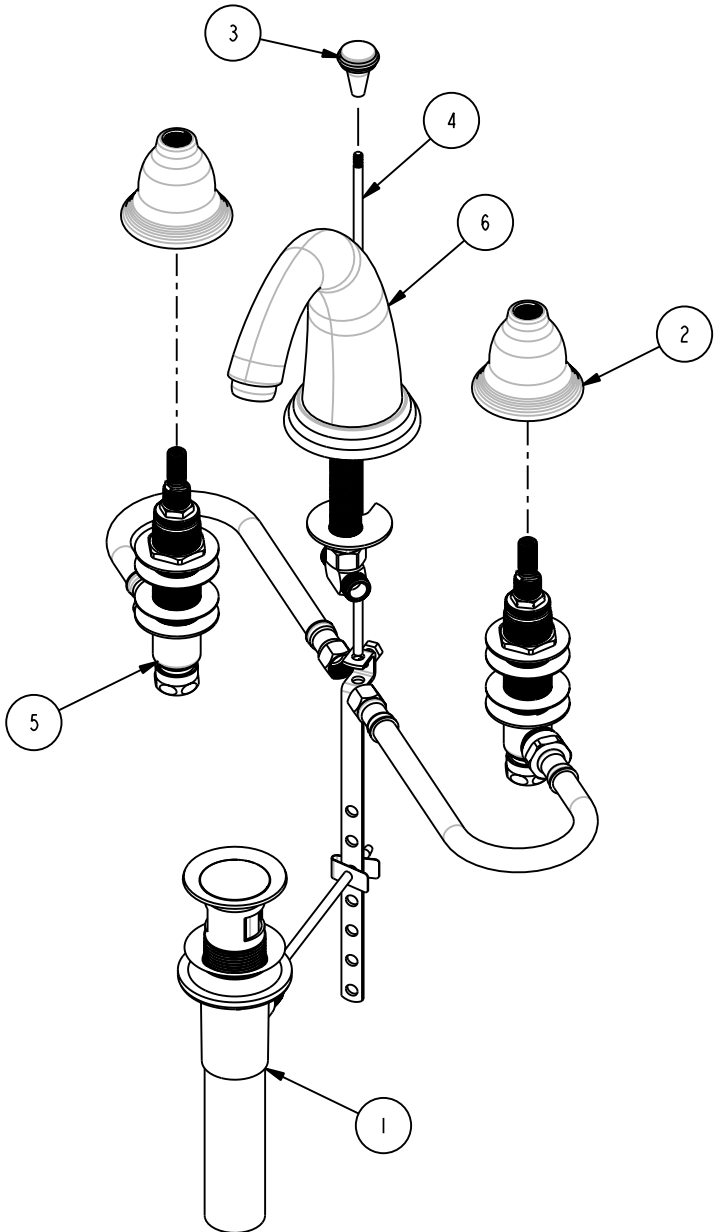
B

A

A

BILL OF MATERIAL (CURRENT LEVEL)

| ITEM | PT/ASSY | DESCRIPTION | TYPE | QTY. |
|------|---------|------------------------|----------|------|
| 1 | 325 | POP UP ASSEMBLY | ASSEMBLY | 1 |
| 2 | 10016 | ESCUTCHEON BELL | PART | 2 |
| 3 | 10021 | POP-UP KNOB | PART | 1 |
| 4 | 10288 | 3/16" POP UP ROD | PART | 1 |
| 5 | 1-525 | W/S VALVE INSTALLATION | ASSEMBLY | 1 |
| 6 | 3-251 | W/S SPOUT | ASSEMBLY | 1 |



BRASSTECH 2001 E. CARNEGIE AVE
 INCORPORATED SANTA ANA, CA 92705
 (949) 417-5207

WIDESPREAD ASM

ASSY. NO. 7200

| | | |
|-----|----------|----------|
| A | EO-0122 | 12/16/02 |
| - | RELEASED | 07/01/02 |
| REV | REV DESC | DATE |

SCALE 0.250 REF. - SHEET 1 OF 1 COPYRIGHT ©

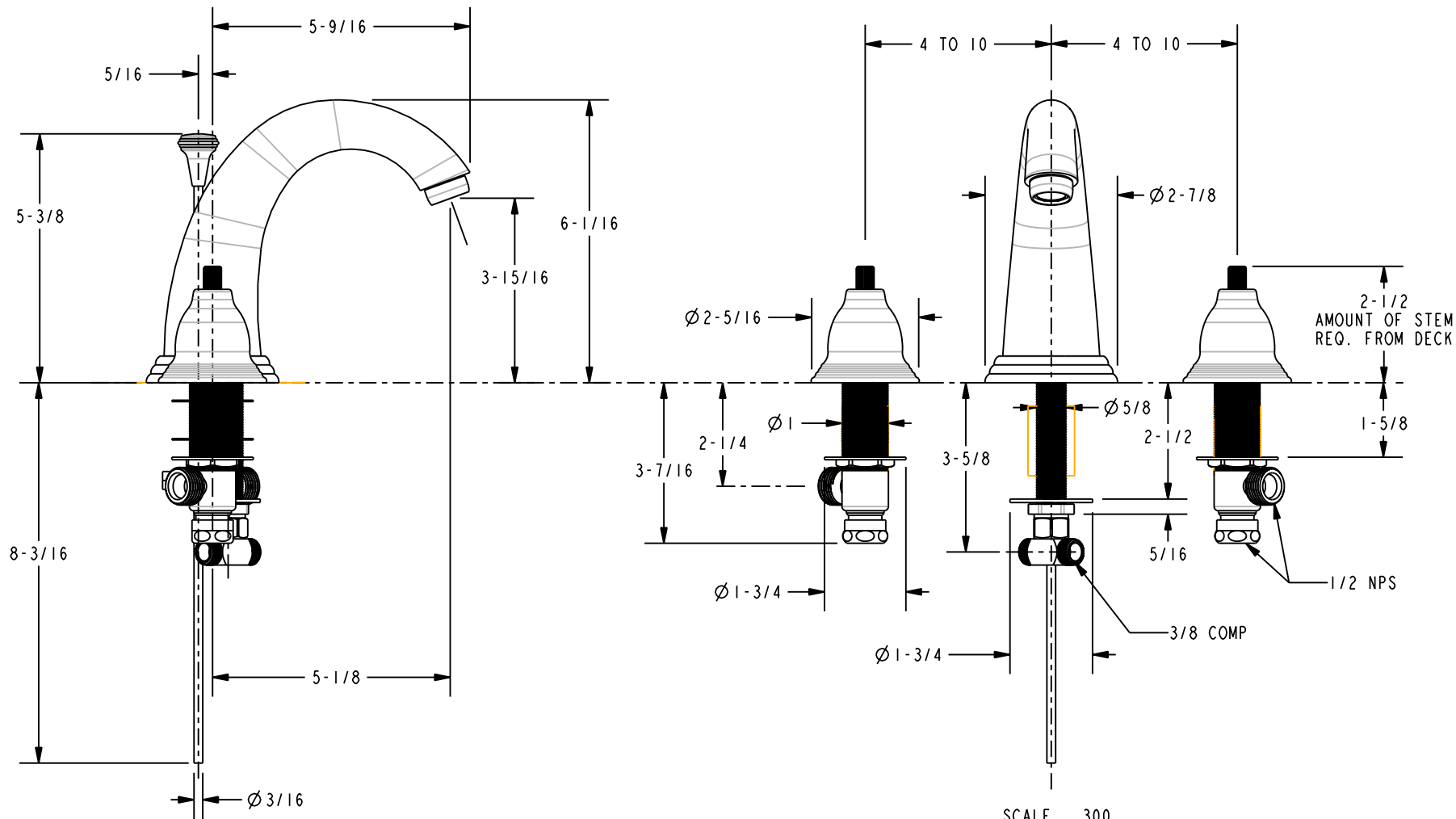
4

3

2

1

SPECIFICATION DWG



DIMENSIONS ARE IN INCHES AND AN APPROXIMATION OF A TYPICAL INSTALLATION

BRASSTECH 2001 E. CARNEGIE AVE.
INCORPORATED SANTA ANA, CA 92705
(949) 417-5207

WIDESPREAD FAUCET

ASSY. NO. **7200_SPEC**

SCALE .071

REF. -

SHEET 1 OF 1

COPYRIGHT ©

| | | |
|-----|----------|----------|
| A | EO-0122 | 12/16/02 |
| - | RELEASED | 01/23/02 |
| REV | REV DESC | DATE |