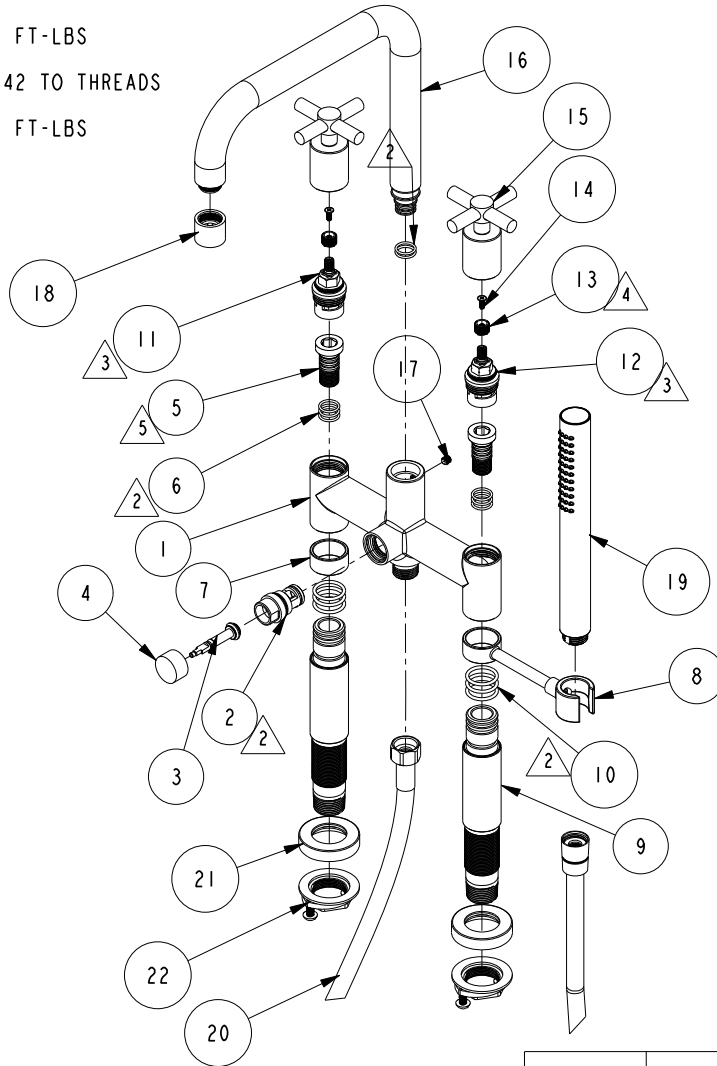


NOTES:

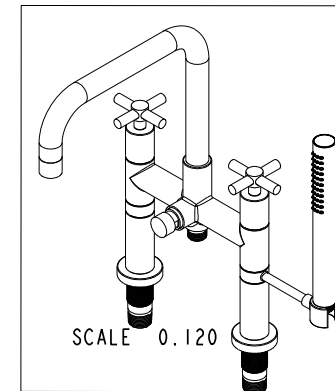
1. TO INSPECT ASSEMBLY, FOLLOW FIRST ARTICLE AND IN PROCESS INSPECTION SHEET.

- 2 APPLY THIN COAT OF SILICONE GREASE TO O-RINGS
- 3 TORQUE TO 15-20 FT-LBS
- 4 APPLY LOCTITE 242 TO THREADS
- 5 TORQUE TO 27-32 FT-LBS



BILL OF MATERIAL (CURRENT LEVEL)

ITEM	PT/ASSY	DESCRIPTION	TYPE	QTY.
1	13595	BRIDGE FAUCET BODY	PART	1
2	20-260	DIVERTER ASM	ASSEMBLY	1
3	20-259	DIVERTER ASM	ASSEMBLY	1
4	12191	DIVERTER BUTTON	PART	1
5	92916	INTERNAL SEALING SCREW	PART	2
6	91079	O-RING, #2- 015, EPDM, 65-75 DURO, NSF 61	PART	8
7	13596	SPACER RING	PART	1
8	20-589	TUB FILLER HANDSHOWER HOLDER ASM	ASSEMBLY	1
9	3-765	DECK MOUNT RISER ASM.	ASSEMBLY	2
10	91046	O-RING, #2-118, EPDM, 65-75 DURO	PART	6
11	1-146	CARTRIDGE 3/4, M24 (HOT)	PART	1
12	1-145	CARTRIDGE 3/4, M24 (COLD)	PART	1
13	12975	ADAPTER	PART	2
14	92035	SCRW, M4 X .7 X 10 PHL FLT HD SS	PART	2
15	20-354	CROSS HANDLE ASM	ASSEMBLY	2
16	20-586	BRIDGE TUB FILLER SPOUT ASM	ASSEMBLY	1
17	92995	SCRW, 1/4-20 X 1/4 SKT HD CUP PT SS NYLON PATCH	PART	1
18	20-601	FLOW STRAIGHTENER	ASSEMBLY	1
19	283-101	ROUND WAND HANDSHOWER	ASSEMBLY	1
20	284	59 IN. SPIRAL SHOWER HOSE	ASSEMBLY	1
21	20-368	ESCUTCHEON ASM	ASSEMBLY	2
22	1-393	1-1/8 18 UNEF MOUNTING KIT	ASSEMBLY	2



UNITS ARE: INCHES [MM]
 TOLERANCES ARE:
 FRACTIONS DECIMALS ANGLES
 ±1/16" .X ±.1 [2.5] ±1°
 .XX ±.06 [1.5]
 (X.XXX) DENOTES CRITICAL DIMS.
 ALL THREADS ARE CRITICAL

BRASSTECH 2001 CARNEGIE AVE.
 INCORPORATED SANTA ANA, CA 92705
 (949) 417-5207

DECK MOUNT TUB FILLER

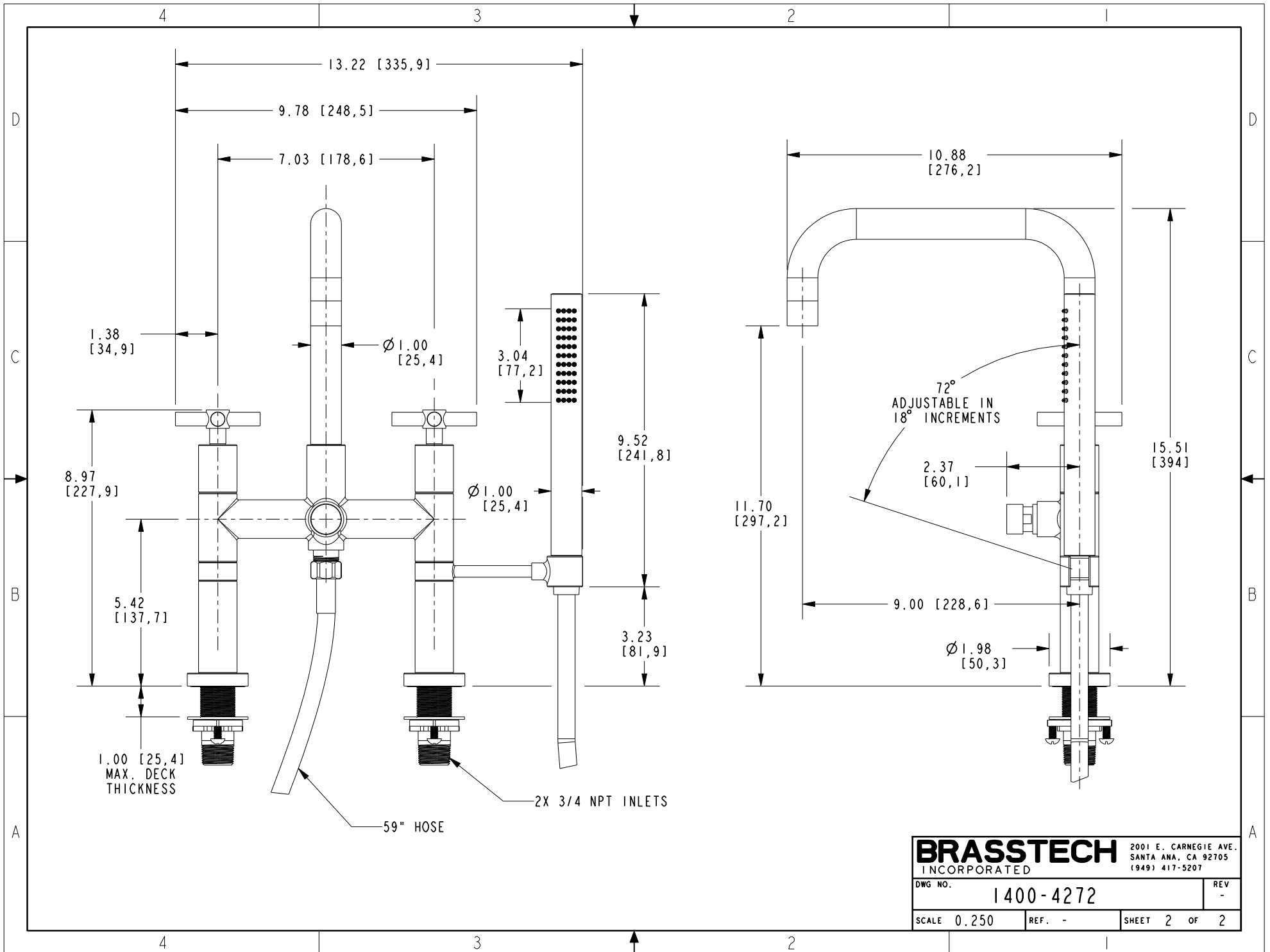
DRAWN G.B. 01/03/22
 CHECKED J.M. 01/03/22
 APPROVED J.M. 01/03/22

DWG NO. 1400-4272
 SCALE 0.160 REF. - SHEET 1 OF 2

COPYRIGHT 2005 BRASSTECH, INC.
 THESE DRAWINGS AND THE DESIGNS
 DEPICTED HEREIN ARE THE PROPRIETARY
 PROPERTY OF BRASSTECH. ANY USE
 OR REPRODUCTION IS SUBJECT TO
 THE EXPRESS APPROVAL OF BRASSTECH.
 UNAUTHORIZED USE IS STRICTLY
 PROHIBITED. ALL RIGHTS RESERVED.

TESTING	ASSEMBLY	PLATING	POLISHING	MACHINING	TOOLING FIXTURE #
-	-	-	-	-	REMOVE ALL BURRS AND SHARP EDGES
-	-	-	-	-	
-	-	-	-	-	
-	-	-	-	-	
-	-	-	-	-	
-	-	-	-	-	

ZONE	REV	DESCRIPTION	DATE	APPROVED
-	-	EN-4432	01/03/22	J.M.



BRASSTECH INCORPORATED		2001 E. CARNEGIE AVE. SANTA ANA, CA 92705 (949) 417-5207	
DWG NO.	1400-4272	REV	-
SCALE	0.250	REF.	-
		SHEET	2 OF 2