
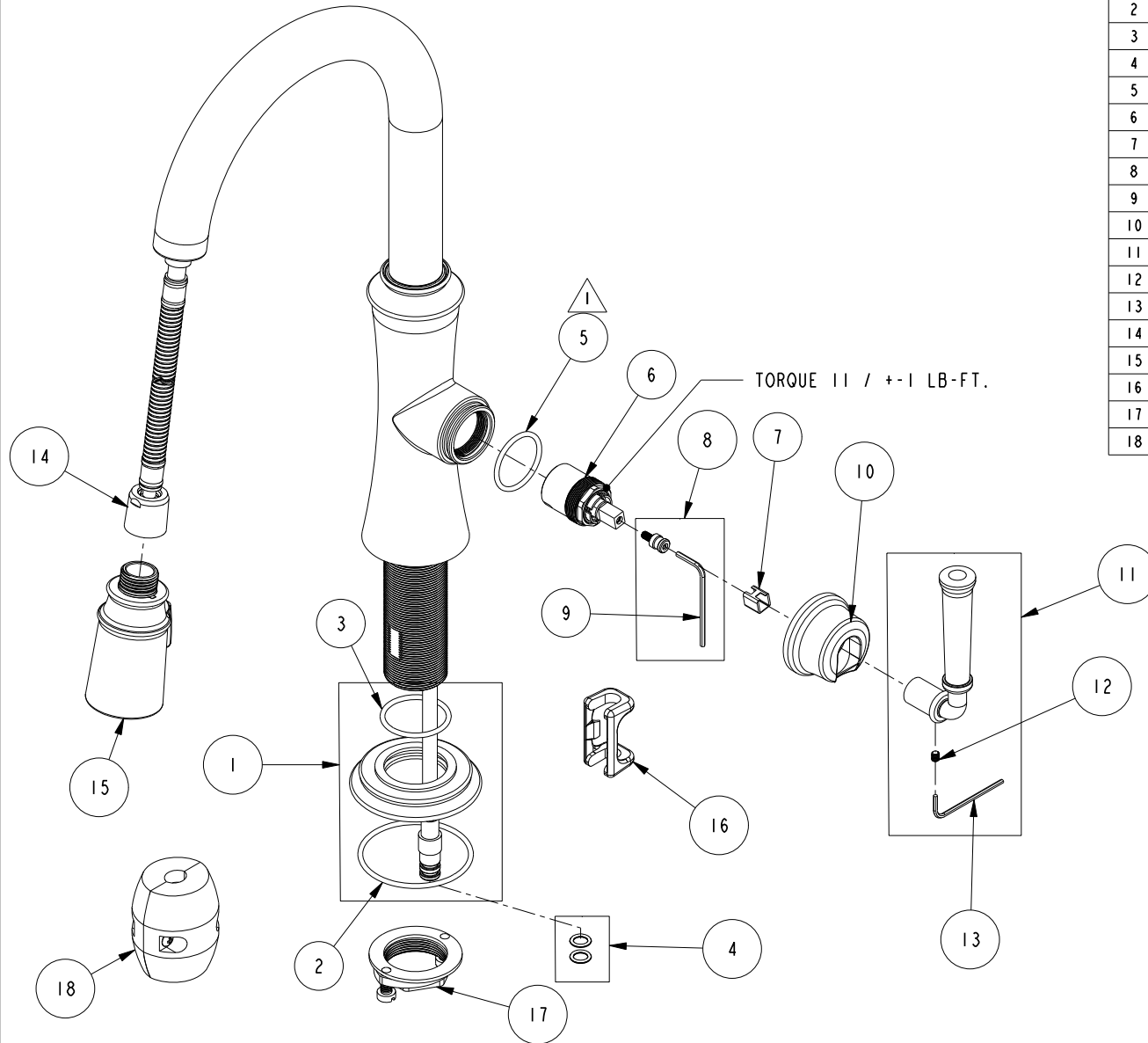


REPLACEMENT PARTS

NOTE:

 USE SILICON GREASE (PART NUMBER 6727) TO LUBRICATE O-RINGS BEFORE INSTALL.



ITEM	PT/ASSY	SPECIFY FINISH	DESCRIPTION
1	20-598	YES	BASE RING ASM
2	91765		O-RING, #2-140, EPDM, 50 DURO - GREY
3	91227		O-RING, #2-125 EPDM
4	1-399		O-RING KIT FOR SPOUT PEX CONECTION
5	91505		O-RING, #2-123, EPDM, 65-75 DURO
6	1-371		CARTRIDGE
7	91534		CARTRIDGE STEM INSERT
8	1-519		HANDLE ADAPTER SCREW WITH HEX KEY
9	10159		HEX KEY, 3/32 ALLOY STEEL
10	13826	YES	HANDLE HUB
11	20-318	YES	HANDLE LEVER ASM
12	92001		SCRW, 8-32 X 3/16 SKT HD FLT PT SS
13	10192		HEX KEY TOOL, #8 5/64
14	11877		HOSE, PULLDOWN SWIVEL
15	3-597	YES	SPRAY HEAD, TAFT
16	91568		RETAINER CLIP
17	1-256		MOUNTING KIT
18	1-286		WEIGHT ASM

KITCHEN PULL DOWN
3310-5203

REV E EN-4766 01/18/24 APPROVED RS

NEWPORT BRASS.

t: 949.417.5207 | www.newportbrass.com