

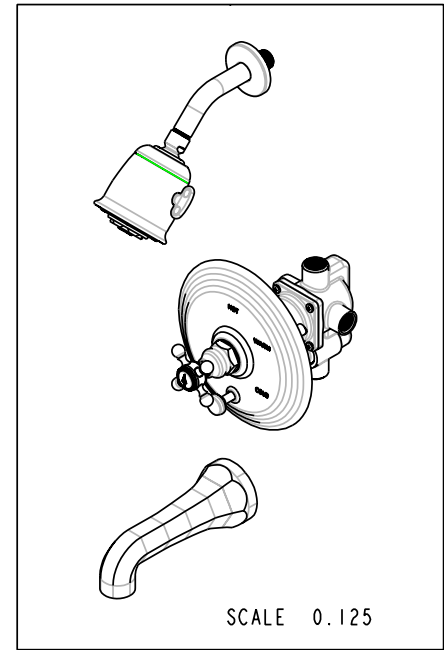
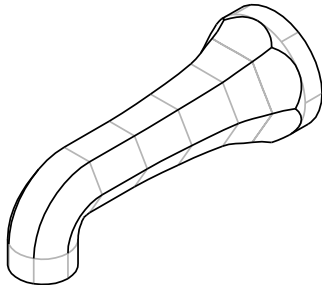
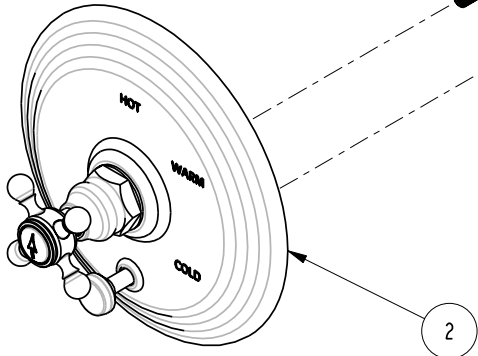
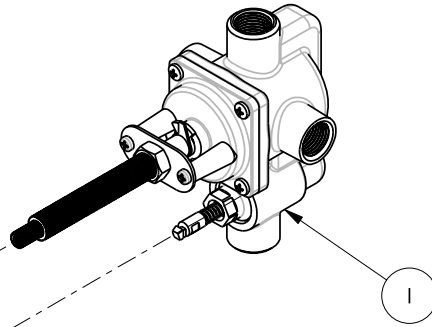
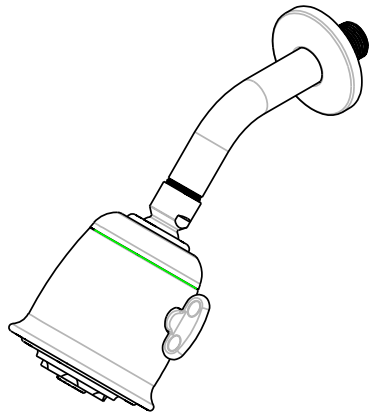
4

3

2

BILL OF MATERIAL (CURRENT LEVEL)

ITEM	PT/ASSY	DESCRIPTION	TYPE	QTY.
1	1-505	BP VALVE ASM W/DIVERTER	ASSEMBLY	1
2	3-922BP	TRIM KIT TUB/SHOWER 3-922BP	ASSEMBLY	1



COPYRIGHT 2005 BRASSTECH, INC. THESE DRAWINGS AND THE DESIGNS DEPICTED HEREIN ARE THE PROPRIETARY PROPERTY OF BRASSTECH. ANY USE OR REPRODUCTION IS SUBJECT TO THE EXPRESS APPROVAL OF BRASSTECH. UNAUTHORIZED USE IS STRICTLY PROHIBITED. ALL RIGHTS RESERVED.

BRASSTECH
 INCORPORATED
 2001 E. CARNEGIE AVE.
 SANTA ANA, CA 92705
 (949) 417-5207

TUB/SHOWER SET

ASSY. NO. 922BP

SCALE 0.250

REF. -

SHEET 1 OF 3

B	EO-0872	09/05/07
A	EO-0224	07/01/03
-	RELEASED	PRE '95
REV	REV DESC	DATE

4

3

2

1

4

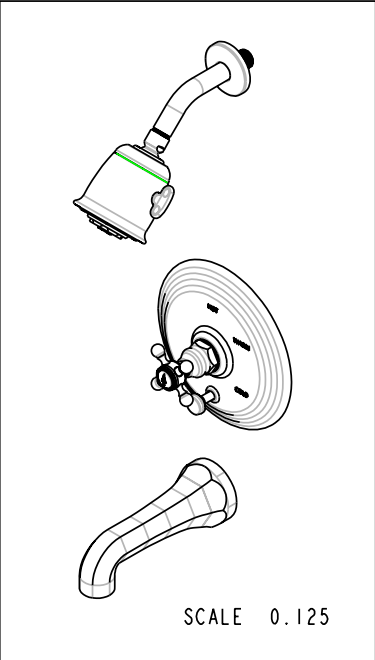
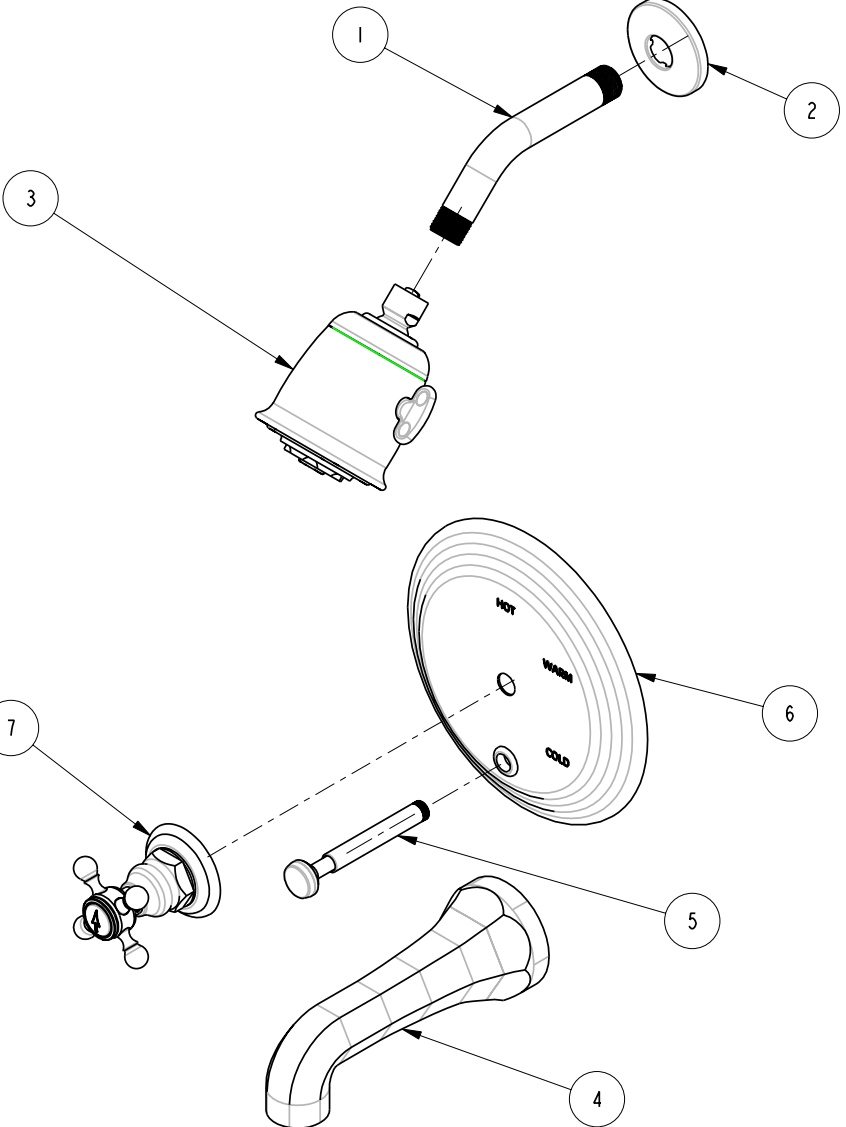
3

2

1

BILL OF MATERIAL (CURRENT LEVEL)

ITEM	PT/ASSY	DESCRIPTION	TYPE	QTY.
1	200	SHOWER ARM 6" BRASS	PART	1
2	206	SHOWER ARM FLANGE	PART	1
3	2131	BELL SHOWERHEAD	ASSEMBLY	1
4	2-144	WALL TUB SPOUT - HEX	ASSEMBLY	1
5	2-217	DIVERTER TRIM KIT	ASSEMBLY	1
6	2-224	COVERPLATE BP W/DIVERTER	ASSEMBLY	1
7	3-163	TRIM KIT - HANDLE/ESCUTCHEON	ASSEMBLY	1



COPYRIGHT 2005 BRASSTECH, INC. THESE DRAWINGS AND THE DESIGNS DEPICTED HEREIN ARE THE PROPRIETARY PROPERTY OF BRASSTECH. ANY USE OR REPRODUCTION IS SUBJECT TO THE EXPRESS APPROVAL OF BRASSTECH. UNAUTHORIZED USE IS STRICTLY PROHIBITED. ALL RIGHTS RESERVED.

BRASSTECH
 INCORPORATED
 2001 E. CARNEGIE AVE.
 SANTA ANA, CA 92705
 (949) 417-5207

TRIM KIT TUB/SHOWER 3-922BP

ASSY. NO. 922BP		B	EO-0872	09/05/07
SCALE 0.225		A	EO-0224	07/01/03
REF. -	SHEET 2 OF 3	-	RELEASED	PRE '95
REV	REV DESC	DATE		

4

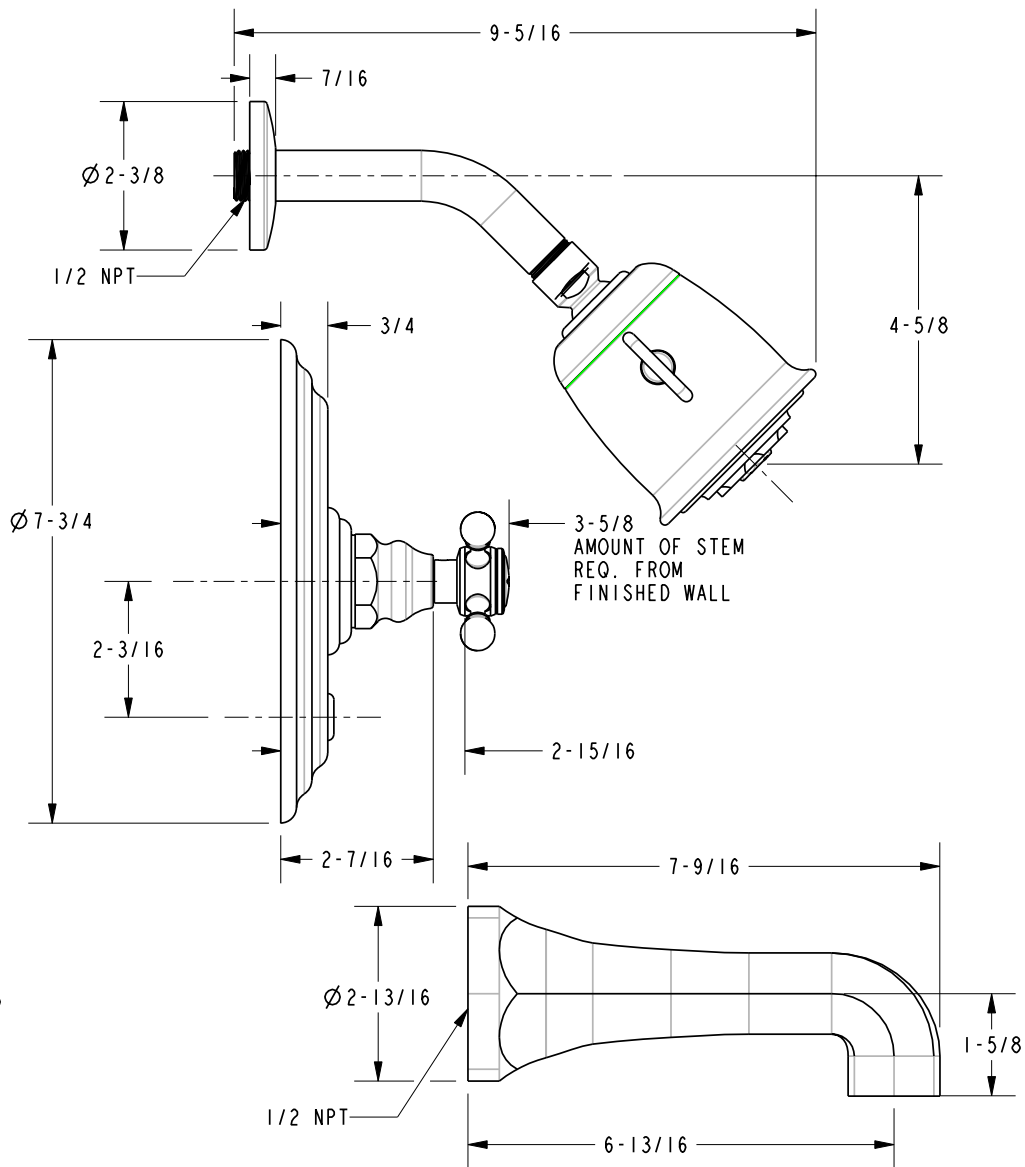
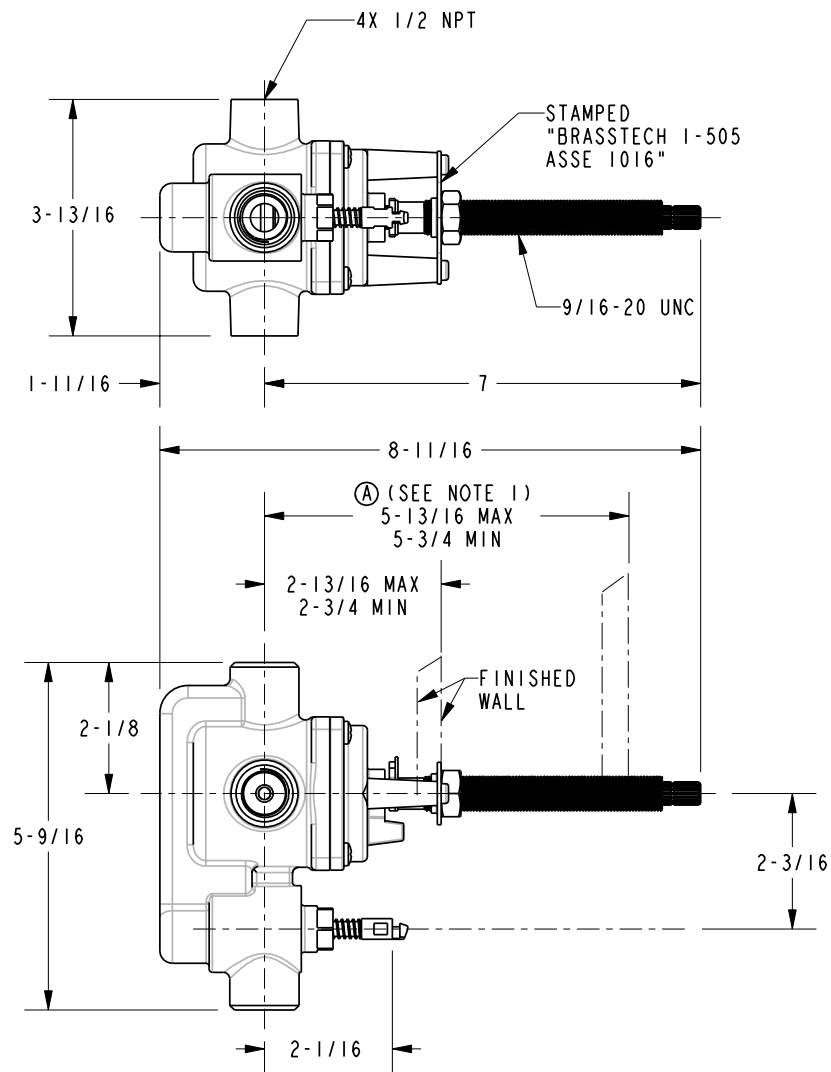
3

2

1

SPECIFICATION DWG

NOTES:
1. CUT ALL-THREAD 1/2" SHORTER THAN STEM



DIMENSIONS ARE IN INCHES AND AN APPROXIMATION OF A TYPICAL INSTALLATION

COPYRIGHT 2005 BRASSTECH, INC. THESE DRAWINGS AND THE DESIGNS DEPICTED HEREIN ARE THE PROPRIETARY PROPERTY OF BRASSTECH. ANY USE OR REPRODUCTION IS SUBJECT TO THE EXPRESS APPROVAL OF BRASSTECH. UNAUTHORIZED USE IS STRICTLY PROHIBITED. ALL RIGHTS RESERVED.

BRASSTECH		2001 E. CARNEGIE AVE.
INCORPORATED		SANTA ANA, CA 92705
		(949) 417-5207
DWG NO.	922BP	REV B
SCALE 0.059	REF. 0	SHEET 3 OF 3