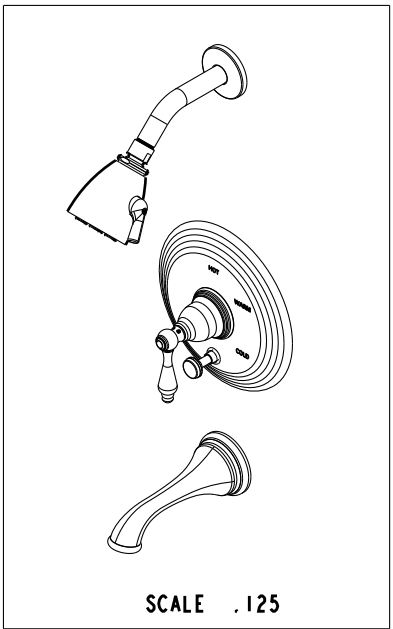


BILL OF MATERIAL (CURRENT LEVEL)

ITEM	PT/ASSY	DESCRIPTION	TYPE	QTY.
1	2-217	DIVERTER TRIM KIT	ASSEMBLY	1
2	2-224	COVERPLATE BP W/DIVERTER	ASSEMBLY	1
3	3-202	TRIM KIT - STOP VALVE	ASSEMBLY	1
4	200	SHOWER ARM 6" BRASS	PART	1
5	206	SHOWER ARM FLANGE	PART	1
6	212	SHOWER HEAD	ASSEMBLY	1
7	2201	COLONIAL TUB SPOUT	ASSEMBLY	1



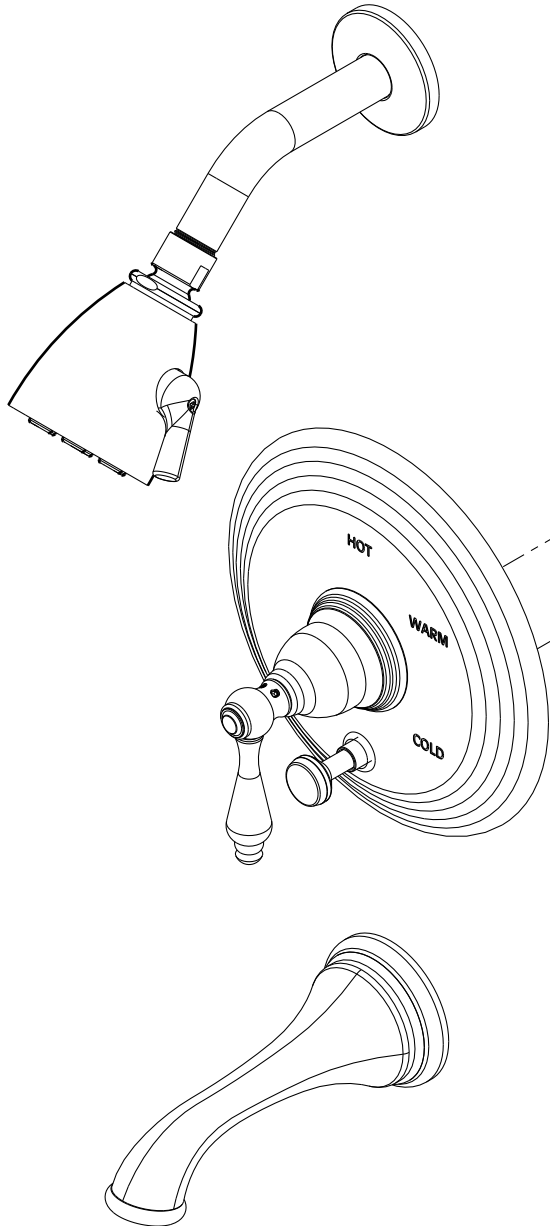
COPYRIGHT 2005 BRASSTECH, INC. THESE DRAWINGS AND THE DESIGNS DEPICTED HEREIN ARE THE PROPRIETARY PROPERTY OF BRASSTECH. ANY USE OR REPRODUCTION IS SUBJECT TO THE EXPRESS APPROVAL OF BRASSTECH. UNAUTHORIZED USE IS STRICTLY PROHIBITED. ALL RIGHTS RESERVED.

BRASSTECH
INCORPORATED
2001 E. CARNEGIE AVE.
SANTA ANA, CA 92705
(949) 417-5207

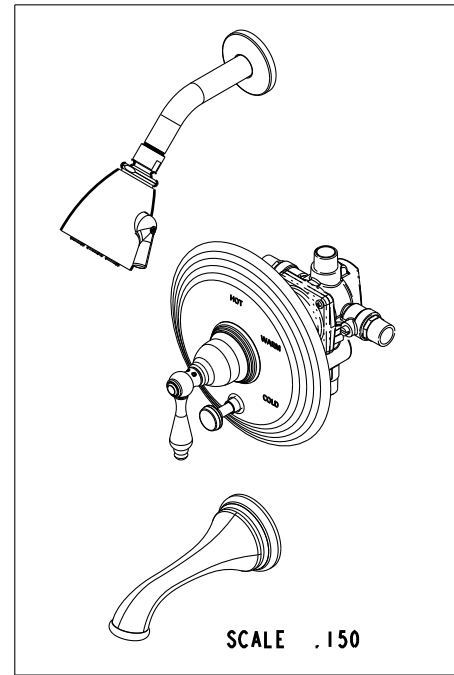
TRIM KIT - BP TUB / SHOWER

ASSY. NO.		3-852BP	
SCALE	REF.	SHEET	DATE
.250	-	1 OF 3	
REV	REV DESC	DATE	
C	EN-1745	08/22/11	
B	EN-1183	03/23/09	
A	EO-0224	07/01/03	

SPECIFICATION DWG



PN: 1-595
SOLD SEPARATELY



SCALE .150

DIMENSIONS ARE IN INCHES AND AN APPROXIMATION OF A TYPICAL INSTALLATION

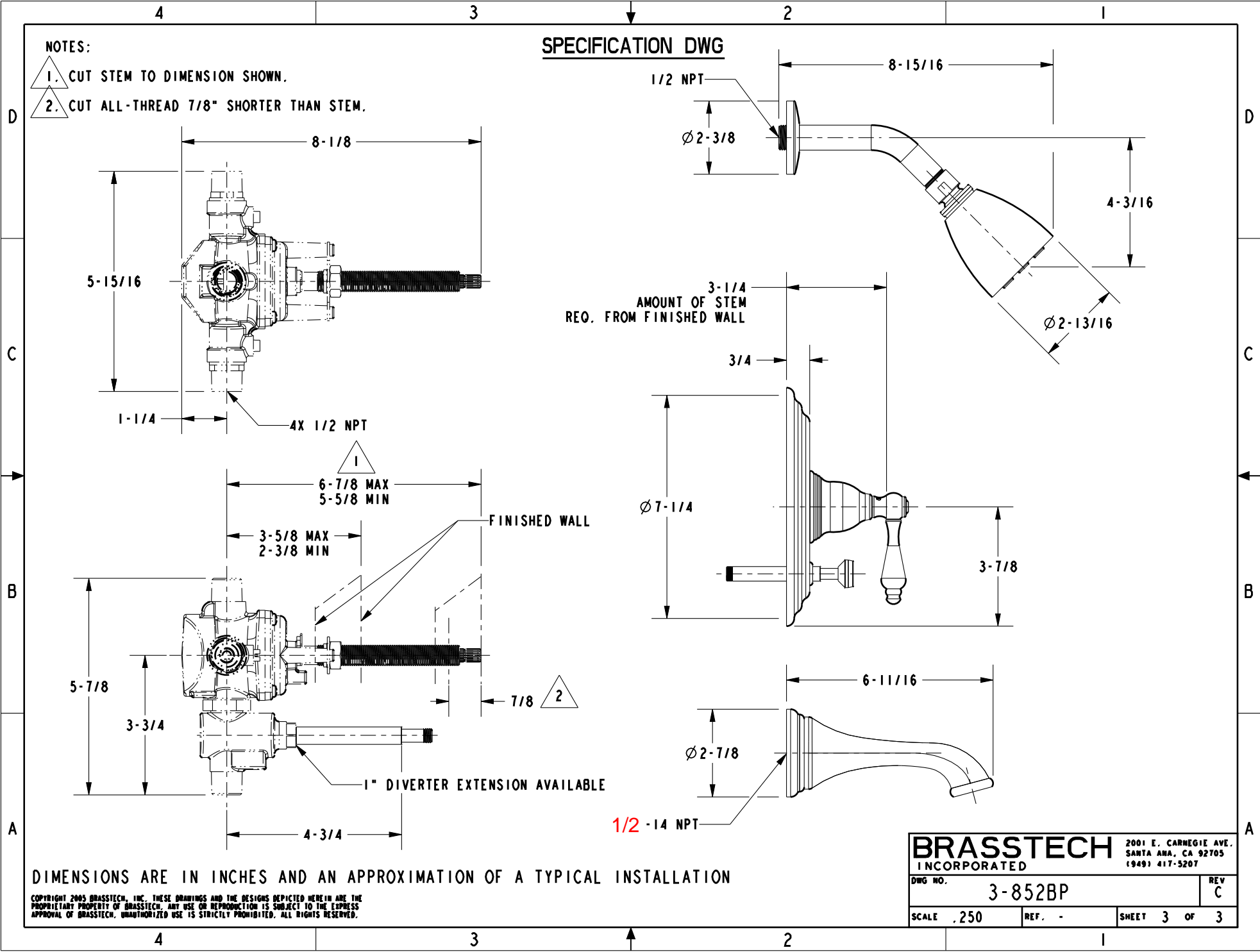
COPYRIGHT 2005 BRASSTECH, INC. THESE DRAWINGS AND THE DESIGNS DEPICTED HEREIN ARE THE PROPRIETARY PROPERTY OF BRASSTECH. ANY USE OR REPRODUCTION IS SUBJECT TO THE EXPRESS APPROVAL OF BRASSTECH. UNAUTHORIZED USE IS STRICTLY PROHIBITED. ALL RIGHTS RESERVED.

BRASSTECH		2001 E. CARNEGIE AVE.	
INCORPORATED		SANTA ANA, CA 92705	
		(949) 417-5207	
DWG NO.	3-852BP	REV	C
SCALE	.300	REF.	-
		SHEET	2 OF 3

NOTES:

- 1. CUT STEM TO DIMENSION SHOWN.
- 2. CUT ALL-THREAD 7/8" SHORTER THAN STEM.

SPECIFICATION DWG



DIMENSIONS ARE IN INCHES AND AN APPROXIMATION OF A TYPICAL INSTALLATION

COPYRIGHT 2005 BRASSTECH, INC. THESE DRAWINGS AND THE DESIGNS DEPICTED HEREIN ARE THE PROPRIETARY PROPERTY OF BRASSTECH. ANY USE OR REPRODUCTION IS SUBJECT TO THE EXPRESS APPROVAL OF BRASSTECH. UNAUTHORIZED USE IS STRICTLY PROHIBITED. ALL RIGHTS RESERVED.

BRASSTECH		2001 E. CARNEGIE AVE.	
INCORPORATED		SANTA ANA, CA 92705	
		(949) 417-5207	
DWG NO.	3-852BP	REV	C
SCALE	.250	REF.	-
		SHEET	3 OF 3