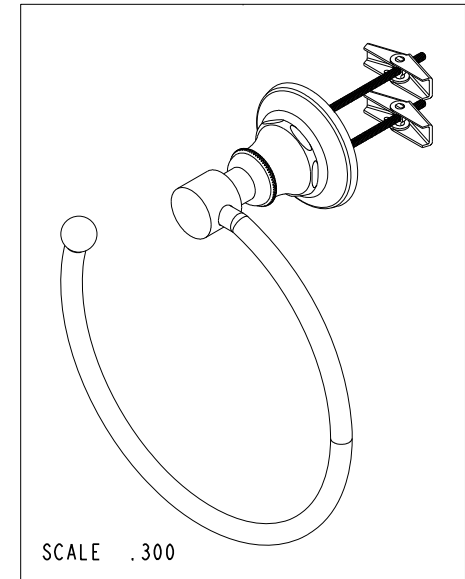


BILL OF MATERIAL (CURRENT LEVEL)

ITEM	PT/ASSY	DESCRIPTION	TYPE	QTY.
1	1-212	ACCESSORY MTG KIT	ASSEMBLY	1
2	12242	HANDLE ESCUTCHEON	PART	1
3	30352	HANDLE BONNET	PART	1
4	40243	OPEN TOWEL/TISSUE POST	PART	1
5	92107	SCRW, 8-32 X 1/4 SKT HD DOG PT SS	PART	1
6	92000	SCRW, 8-32 X 1/8 SKT HD CUP PT SS	PART	1
7	1-125	HARDWARE KIT	ASSEMBLY	1
8	7-572	OPEN TOWEL HOLDER ROD ASSY	ASSEMBLY	1
9	91231	O-RING, #2-136, EPDM, 65-75 DURO	PART	1



COPYRIGHT 2005 BRASSTECH, INC. THESE DRAWINGS AND THE DESIGNS DEPICTED HEREIN ARE THE PROPRIETARY PROPERTY OF BRASSTECH. ANY USE OR REPRODUCTION IS SUBJECT TO THE EXPRESS APPROVAL OF BRASSTECH. UNAUTHORIZED USE IS STRICTLY PROHIBITED. ALL RIGHTS RESERVED.

BRASSTECH
INCORPORATED
2001 E. CARNEGIE AVE.
SANTA ANA, CA 92705
(949) 417-5207

OPEN TOWEL HOLDER NT1

ASSY. NO.

33-10

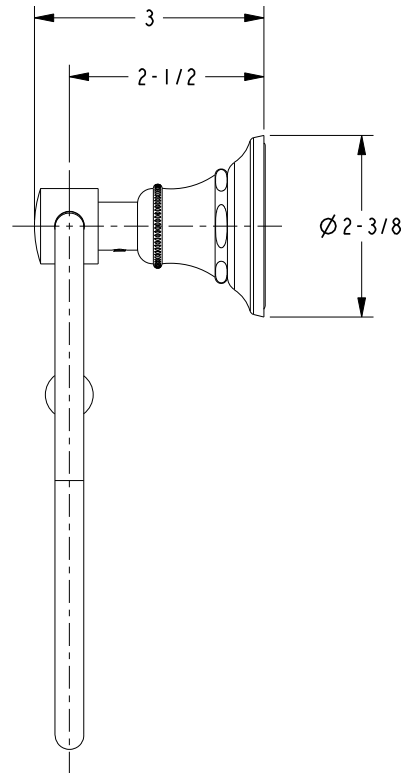
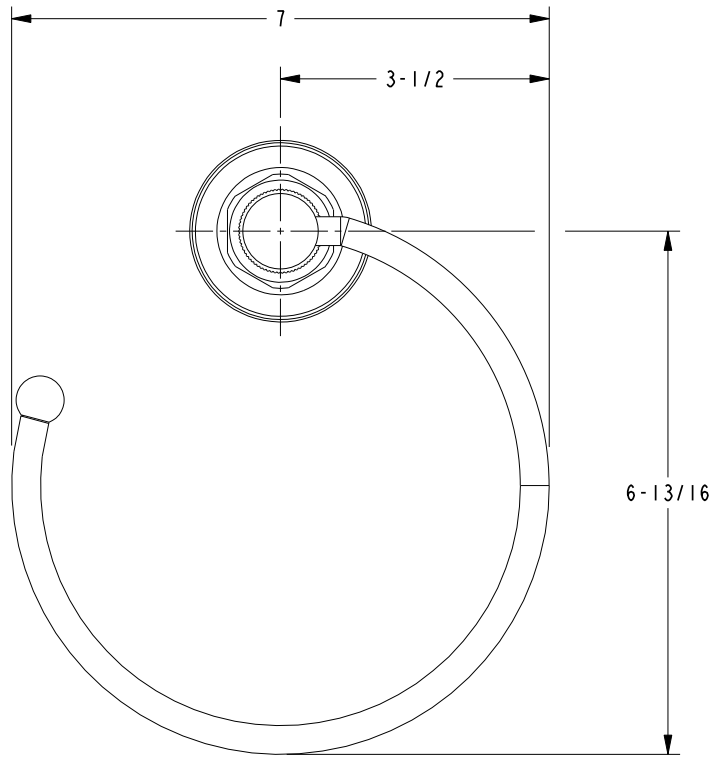
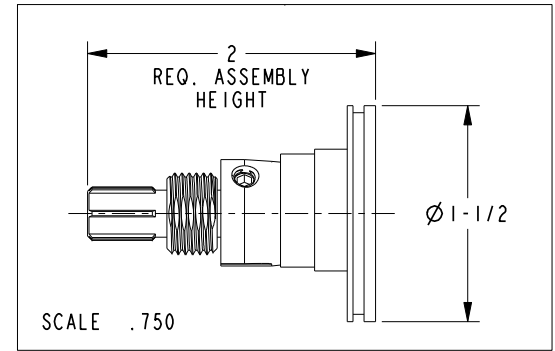
SCALE .375

REF. -

SHEET 1 OF 2

C	EN-2510e	09/19/13
B	EN-1591	07/22/10
A	EO-0404	08/25/04
-	RELEASED	08/29/03
REV	REV DESC	DATE

SPECIFICATION DWG



DIMENSIONS ARE IN INCHES AND AN APPROXIMATION OF A TYPICAL INSTALLATION

COPYRIGHT 2005 BRASSTECH, INC. THESE DRAWINGS AND THE DESIGNS DEPICTED HEREIN ARE THE PROPRIETARY PROPERTY OF BRASSTECH. ANY USE OR REPRODUCTION IS SUBJECT TO THE EXPRESS APPROVAL OF BRASSTECH. UNAUTHORIZED USE IS STRICTLY PROHIBITED. ALL RIGHTS RESERVED.

BRASSTECH		2001 CARNEGIE AVE. SANTA ANA, CA 92705 (949) 417-5207
DWG NO.	33-10	REV C
SCALE .400	REF. -	SHEET 2 OF 2