

4

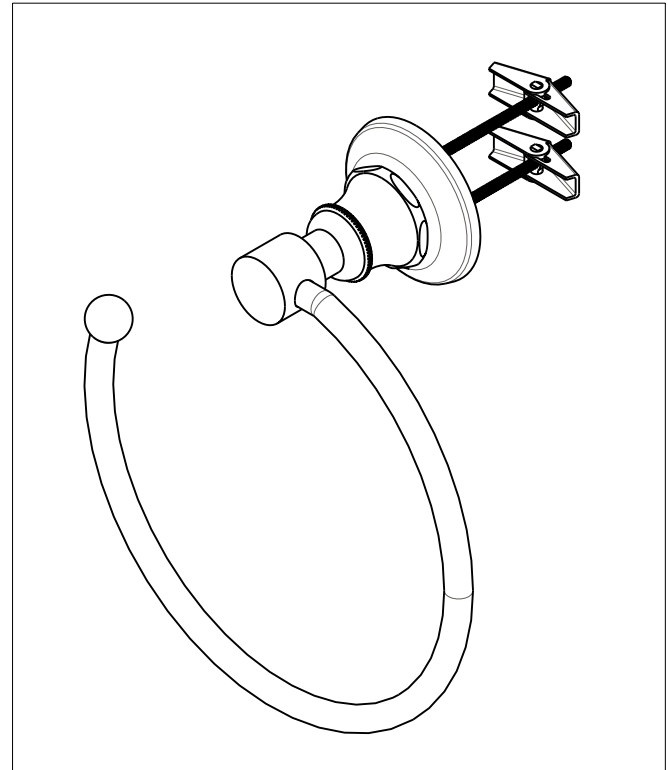
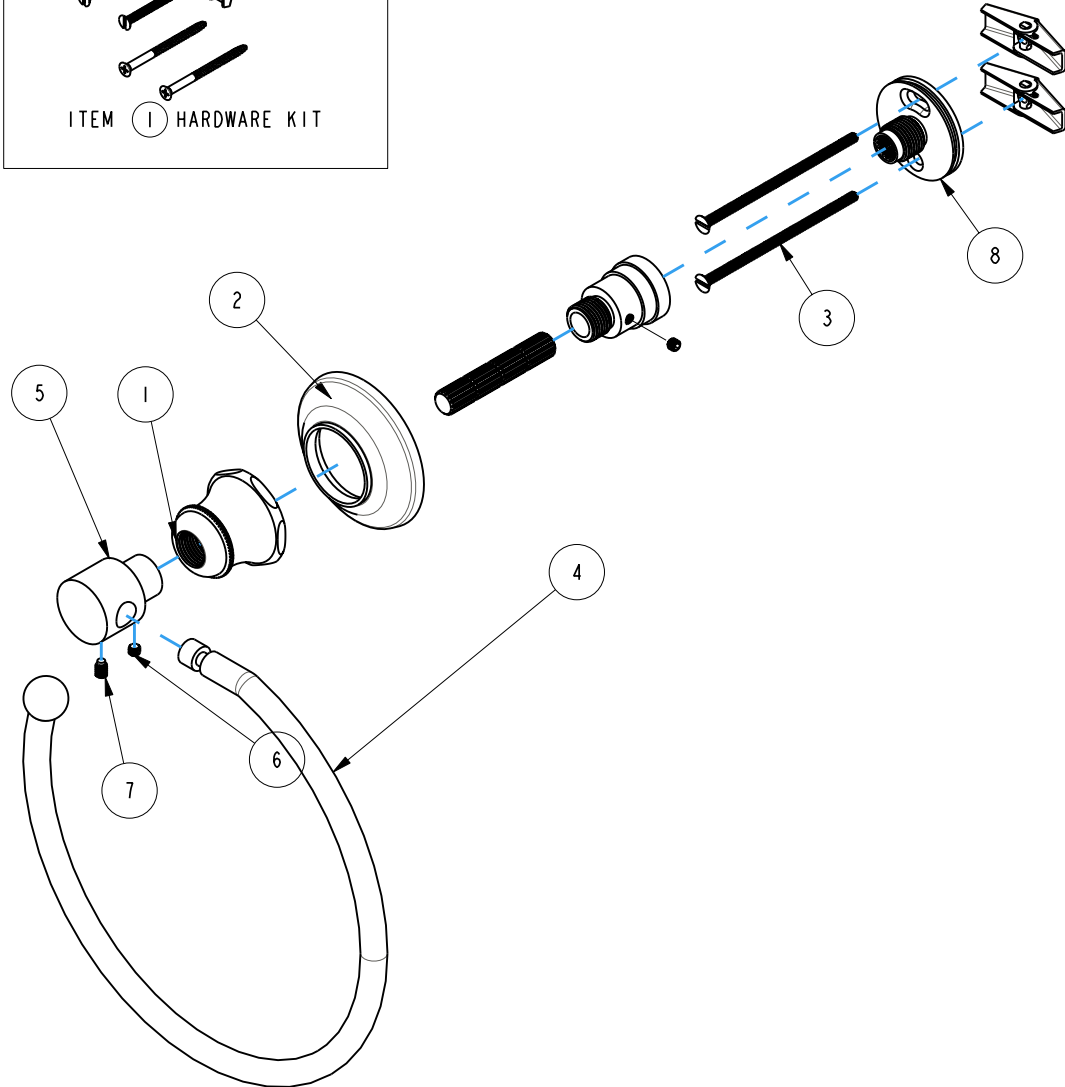
3

2

1

**BILL OF MATERIAL (CURRENT LEVEL)**

ITEM	PT/ASSY	DESCRIPTION	TYPE	QTY.
1	30352	HANDLE BONNET	PART	1
2	30229	HANDLE ESCUTCHEON	PART	1
3	1-125	HARDWARE KIT	ASSEMBLY	1
4	7-572	OPEN TOWEL HOLDER ROD ASSY	ASSEMBLY	1
5	40243	OPEN TOWEL/TISSUE POST	PART	1
6	92000	SCREW 8 - 32 X 1/8 SS	PART	1
7	92107	SCW 8-32 X 1/4 DOG PT	PART	1
8	1-120	SINGLE POST MTG. ASSEMBLY	ASSEMBLY	1



COPYRIGHT 2005 BRASSTECH, INC. THESE DRAWINGS AND THE DESIGNS DEPICTED HEREIN ARE THE PROPRIETARY PROPERTY OF BRASSTECH. ANY USE OR REPRODUCTION IS SUBJECT TO THE EXPRESS APPROVAL OF BRASSTECH. UNAUTHORIZED USE IS STRICTLY PROHIBITED. ALL RIGHTS RESERVED.

**BRASSTECH**  
 INCORPORATED  
 2001 E. CARNEGIE AVE.  
 SANTA ANA, CA 92705  
 (949) 417-5207

OPEN TOWEL HOLDER NTI

ASSY. NO.	33-10		A	EO-0404	08/25/04
SCALE .375	REF. -	SHEET 1 OF 2	-	RELEASED	08/29/03
			REV	REV DESC	DATE

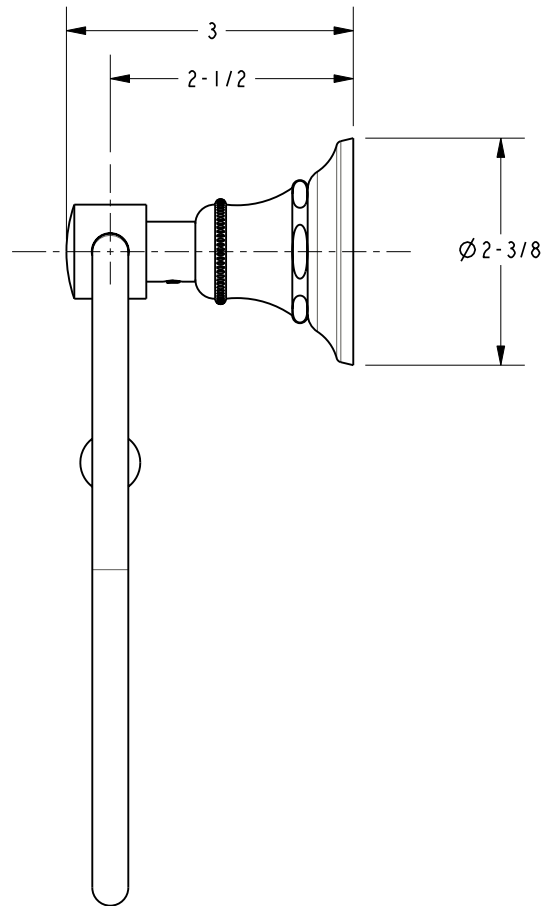
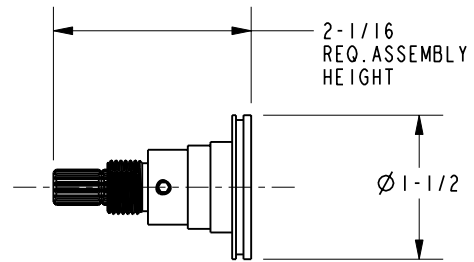
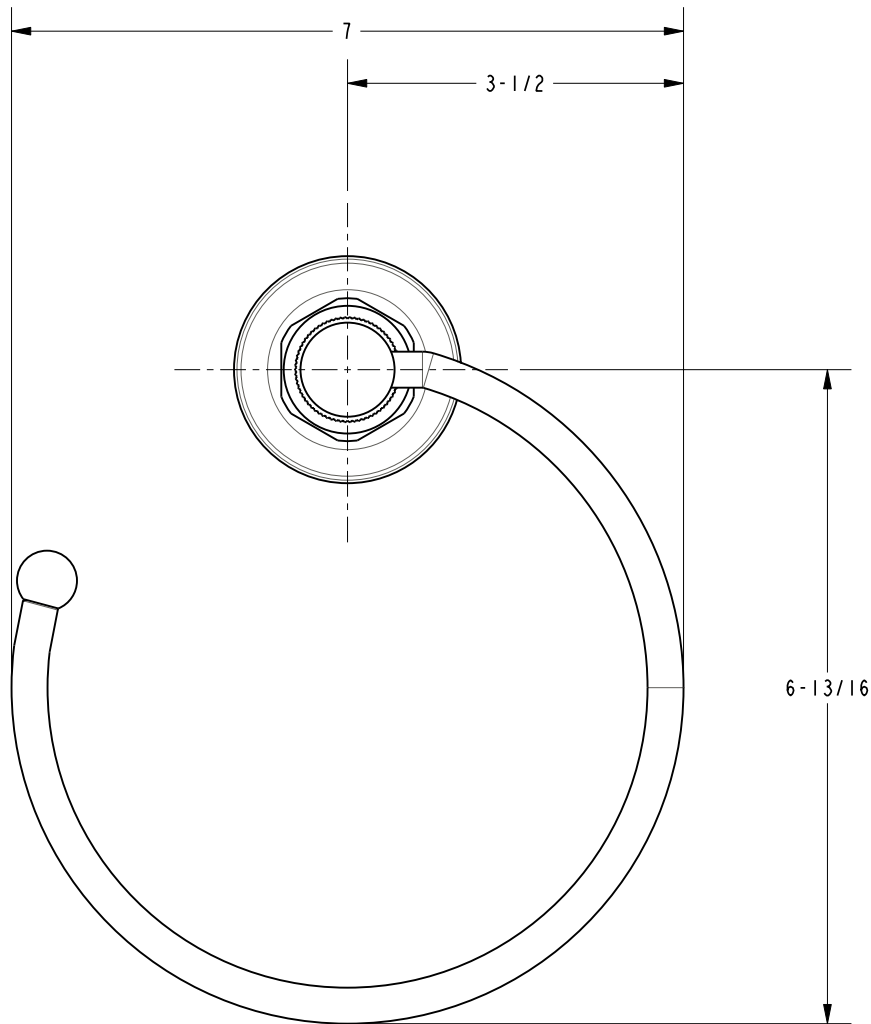
4

3

2

1

**SPECIFICATION DWG**



DIMENSIONS ARE IN INCHES AND AN APPROXIMATION OF A TYPICAL INSTALLATION

COPYRIGHT 2005 BRASSTECH, INC. THESE DRAWINGS AND THE DESIGNS DEPICTED HEREIN ARE THE PROPRIETARY PROPERTY OF BRASSTECH. ANY USE OR REPRODUCTION IS SUBJECT TO THE EXPRESS APPROVAL OF BRASSTECH. UNAUTHORIZED USE IS STRICTLY PROHIBITED. ALL RIGHTS RESERVED.

<b>BRASSTECH</b>		2001 E. CARNEGIE AVE.	
INCORPORATED		SANTA ANA, CA 92705	
		(949) 417-5207	
DWG NO.	33-10	REV	-
SCALE	1,000	REF.	-
		SHEET	2 OF 2