

4

3

2

1

D

D

C

C

B

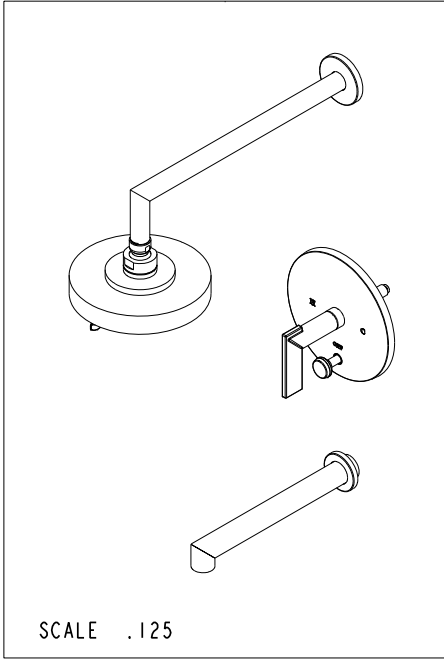
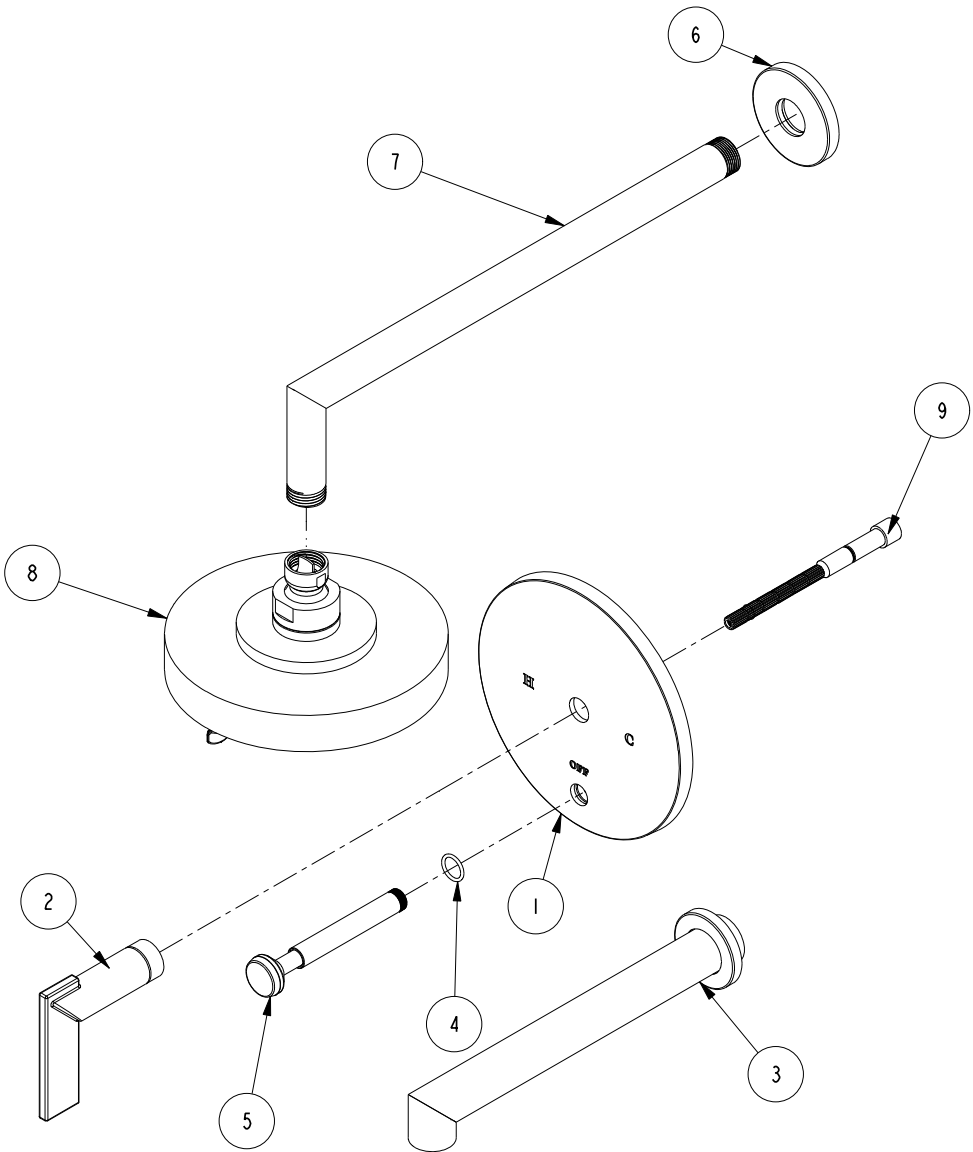
B

A

A

**BILL OF MATERIAL (CURRENT LEVEL)**

ITEM	PT/ASSY	DESCRIPTION	TYPE	QTY.
1	2-772	TUB AND SHOWER PLATE ASM	ASSEMBLY	1
2	2-739	HANDLE LEVER ASM	ASSEMBLY	1
3	3-407	SPOUT & ESCUTCHEON ASM - WALL MOUNT	ASSEMBLY	1
4	91019	O-RING #2-014	PART	1
5	2-217	DIVERTER TRIM KIT	ASSEMBLY	1
6	206-1	SHOWER - ESCUTCHEON ASM	ASSEMBLY	1
7	202-1	SHOWER ARM BRAZE ASM	ASSEMBLY	1
8	2143	CONTEMP. SHOWER HEAD - 5 JETS	ASSEMBLY	1
9	1-255	TOOTH STEM & RING KIT FOR BP VALVE	ASSEMBLY	1



COPYRIGHT 2005 BRASSTECH, INC. THESE DRAWINGS AND THE DESIGNS DEPICTED HEREIN ARE THE PROPRIETARY PROPERTY OF BRASSTECH. ANY USE OR REPRODUCTION IS SUBJECT TO THE EXPRESS APPROVAL OF BRASSTECH. UNAUTHORIZED USE IS STRICTLY PROHIBITED. ALL RIGHTS RESERVED.

**BRASSTECH**  
 INCORPORATED  
 2001 E. CARNEGIE AVE.  
 SANTA ANA, CA 92705  
 (949) 417-5207

**BIP TUB AND SHOWER TRIM**

ASSY. NO. <b>3-2492BP</b>		A	EN-1839	07/26/11
SCALE .250	REF. -	-	EN-0995-3	01/31/11
SHEET 1 OF 3		REV	REV DESC	DATE

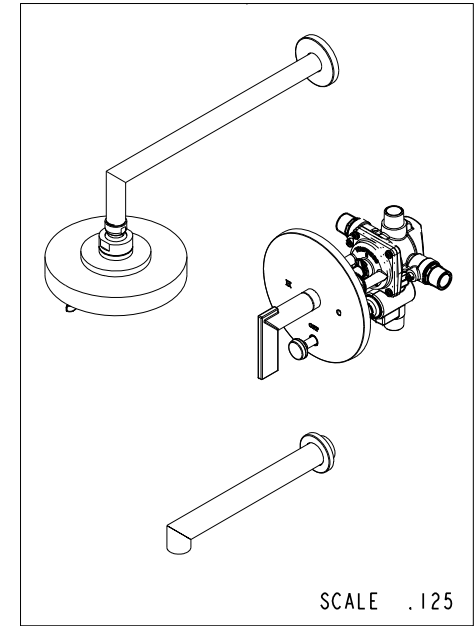
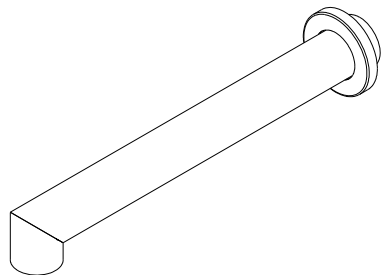
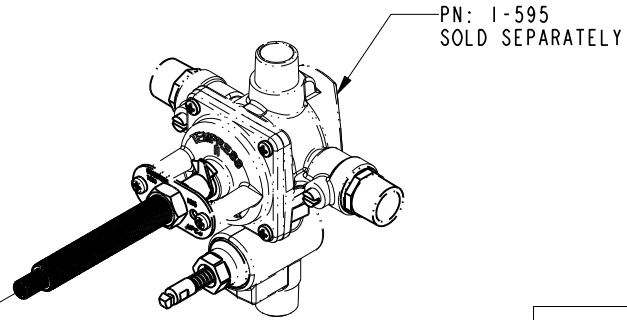
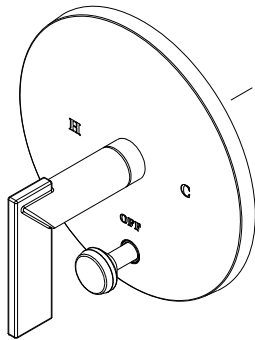
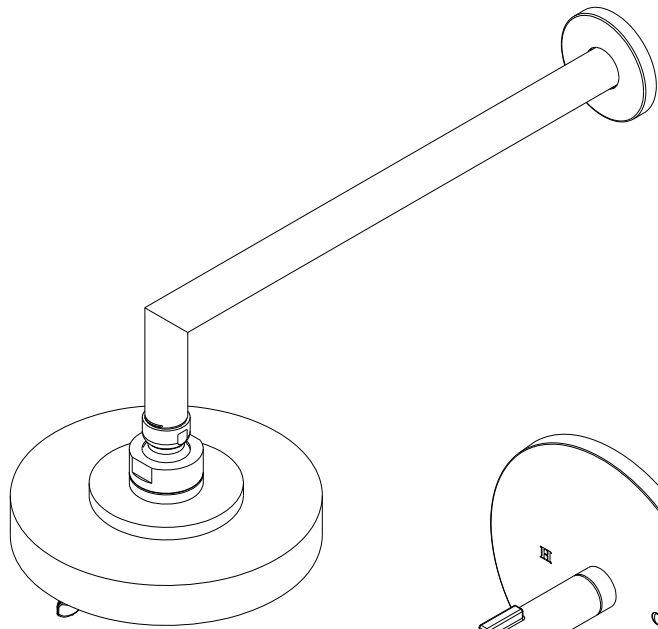
4

3

2

1

**SPECIFICATION DWG**



SCALE .125

DIMENSIONS ARE IN INCHES AND AN APPROXIMATION OF A TYPICAL INSTALLATION

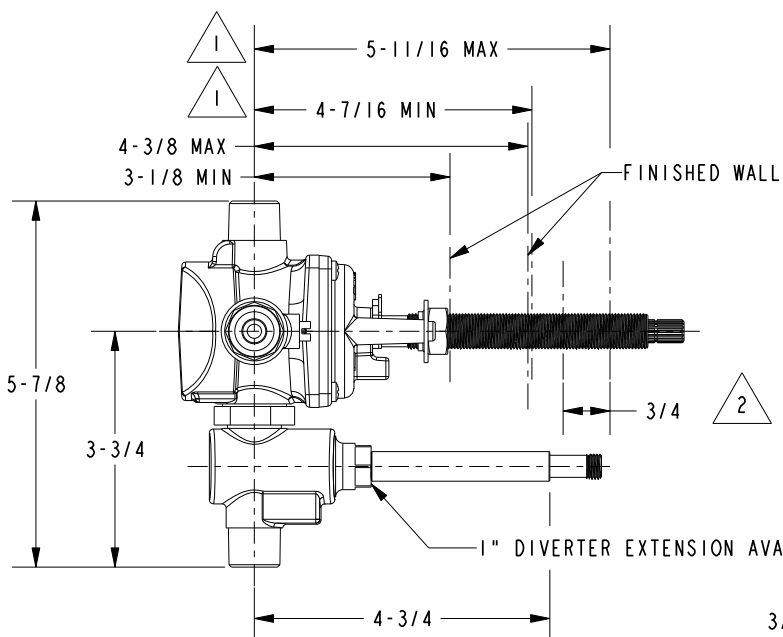
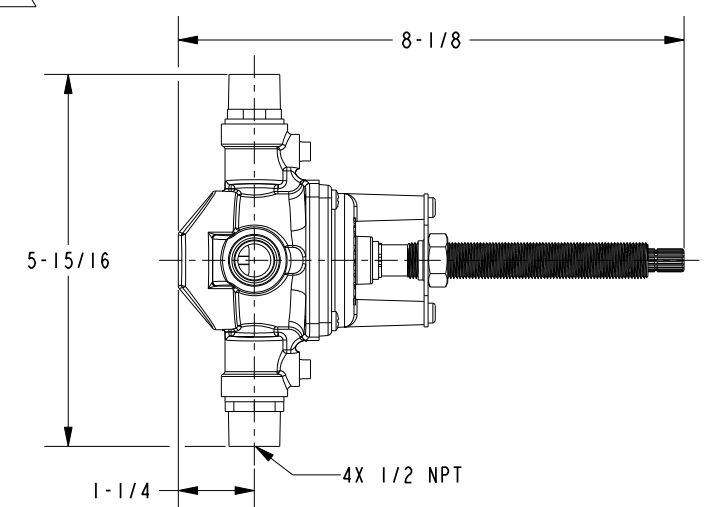
COPYRIGHT 2005 BRASSTECH, INC. THESE DRAWINGS AND THE DESIGNS DEPICTED HEREIN ARE THE PROPRIETARY PROPERTY OF BRASSTECH. ANY USE OR REPRODUCTION IS SUBJECT TO THE EXPRESS APPROVAL OF BRASSTECH. UNAUTHORIZED USE IS STRICTLY PROHIBITED. ALL RIGHTS RESERVED.

<b>BRASSTECH</b>		2001 E. CARNEGIE AVE.	
INCORPORATED		SANTA ANA, CA 92705	
		(949) 417-5207	
DWG NO.	3-2492BP	REV	A
SCALE .250	REF. -	SHEET 2	OF 3

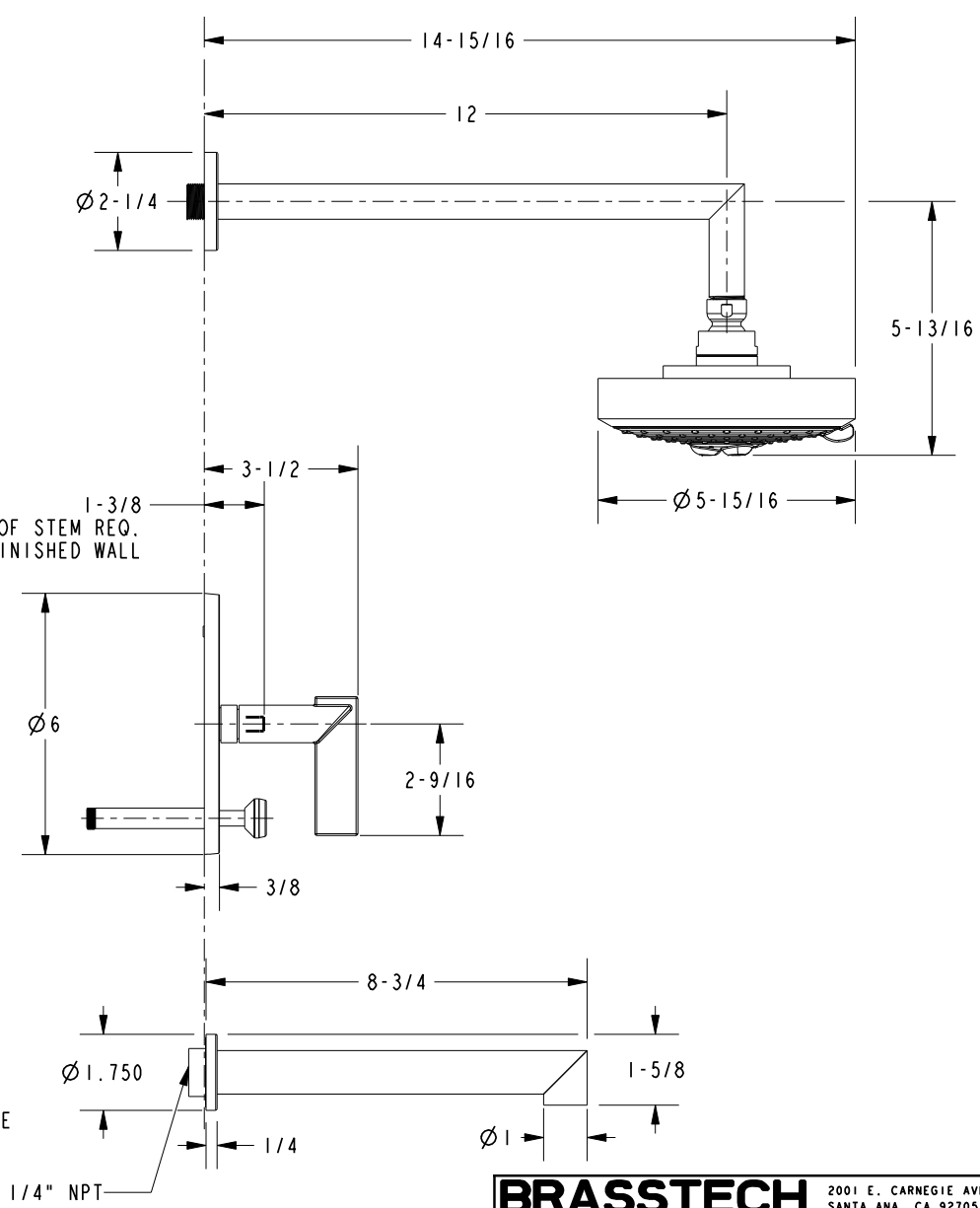
**SPECIFICATION DWG**

**NOTES:**

- 1 CUT STEM AS SHOWN.
- 2 CUT ALL-THREAD 3/4" SHORTER THAN STEM



1-3/8  
AMOUNT OF STEM REQ.  
FROM FINISHED WALL



DIMENSIONS ARE IN INCHES AND AN APPROXIMATION OF A TYPICAL INSTALLATION

COPYRIGHT 2005 BRASSTECH, INC. THESE DRAWINGS AND THE DESIGNS DEPICTED HEREIN ARE THE PROPRIETARY PROPERTY OF BRASSTECH. ANY USE OR REPRODUCTION IS SUBJECT TO THE EXPRESS APPROVAL OF BRASSTECH. UNAUTHORIZED USE IS STRICTLY PROHIBITED. ALL RIGHTS RESERVED.

<b>BRASSTECH</b>		2001 E. CARNEGIE AVE.	
INCORPORATED		SANTA ANA, CA 92705	
		(949) 417-5207	
DWG NO.	3-2492BP		REV A
SCALE .250	REF. -	SHEET 3 OF 3	