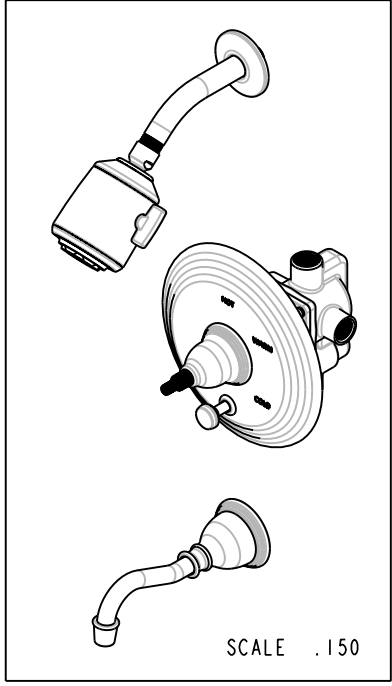
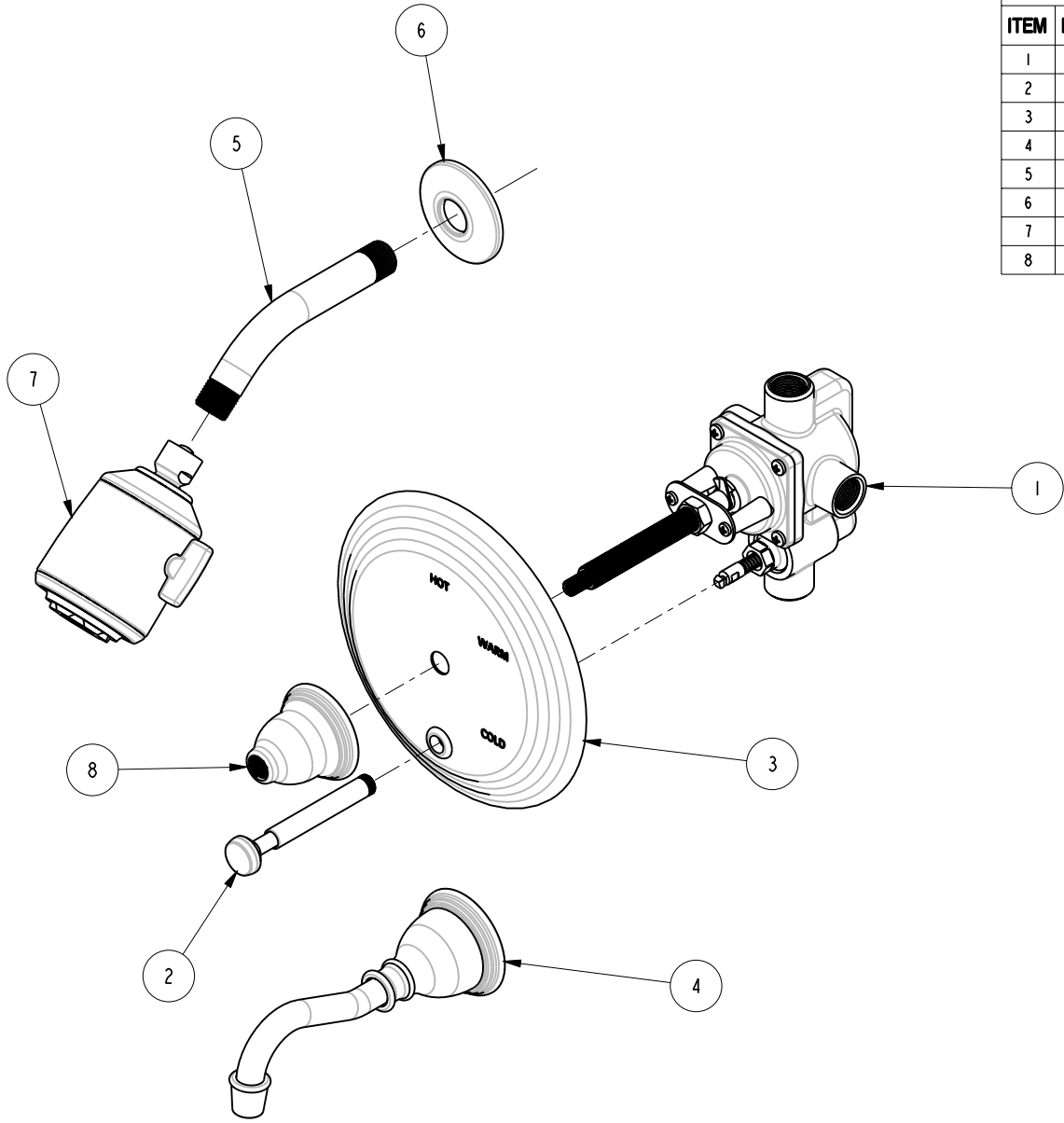


BILL OF MATERIAL (CURRENT LEVEL)				
ITEM	PT/ASSY	DESCRIPTION	TYPE	QTY.
1	1-505	BP VALVE ASM W/DIVERTER	ASSEMBLY	1
2	2-217	DIVERTER TRIM KIT	ASSEMBLY	1
3	2-224	COVERPLATE BP W/DIVERTER	ASSEMBLY	1
4	2-517	WALL TUB SPOUT	ASSEMBLY	1
5	200	SHOWER ARM 6" BRASS	PART	1
6	206	SHOWER ARM FLANGE 2.5	PART	1
7	213	SHOWERHEAD ONLY	ASSEMBLY	1
8	10016	ESCUTCHEON BELL	PART	1



COPYRIGHT 2005 BRASSTECH, INC. THESE DRAWINGS AND THE DESIGNS DEPICTED HEREIN ARE THE PROPRIETARY PROPERTY OF BRASSTECH. ANY USE OR REPRODUCTION IS SUBJECT TO THE EXPRESS APPROVAL OF BRASSTECH. UNAUTHORIZED USE IS STRICTLY PROHIBITED. ALL RIGHTS RESERVED.

BRASSTECH
INCORPORATED
2001 E. CARNEGIE AVE.
SANTA ANA, CA 92705
(949) 417-5207

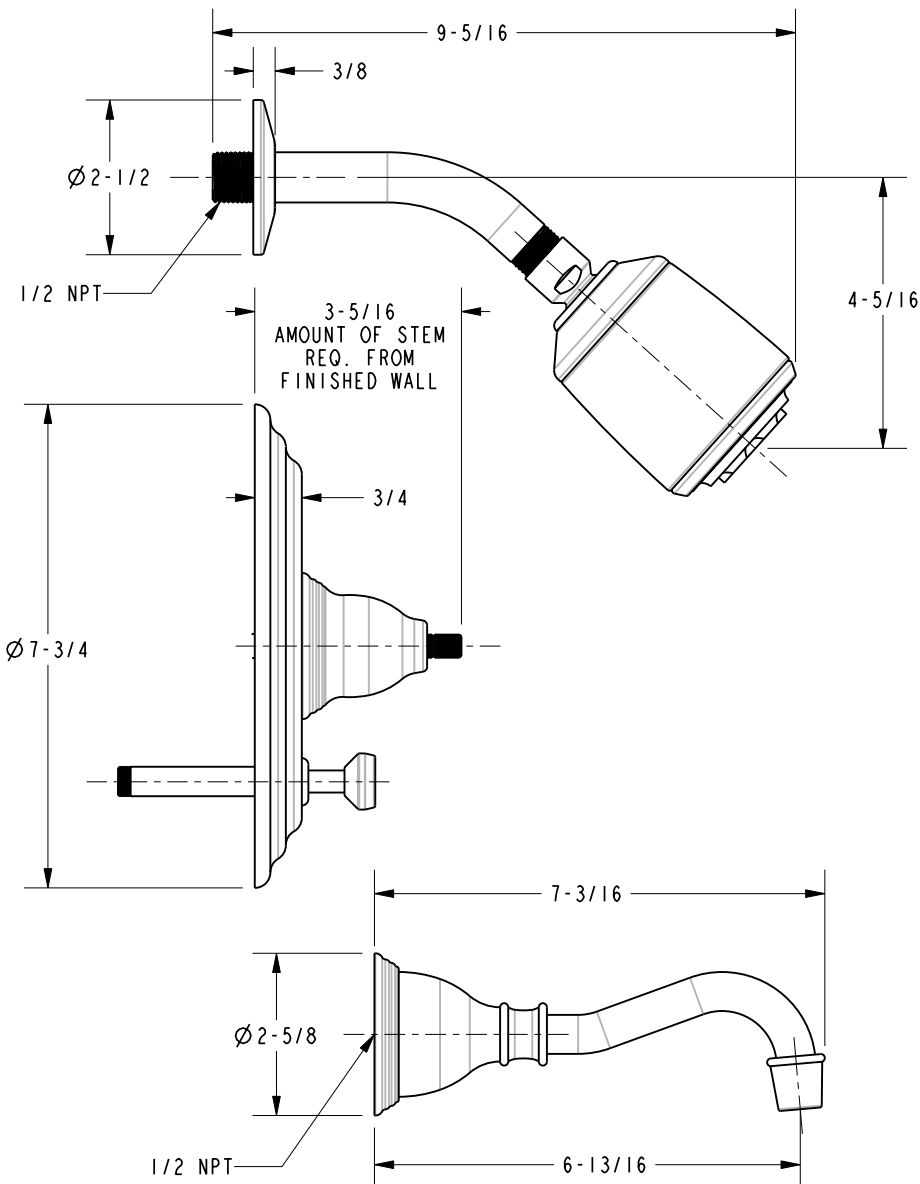
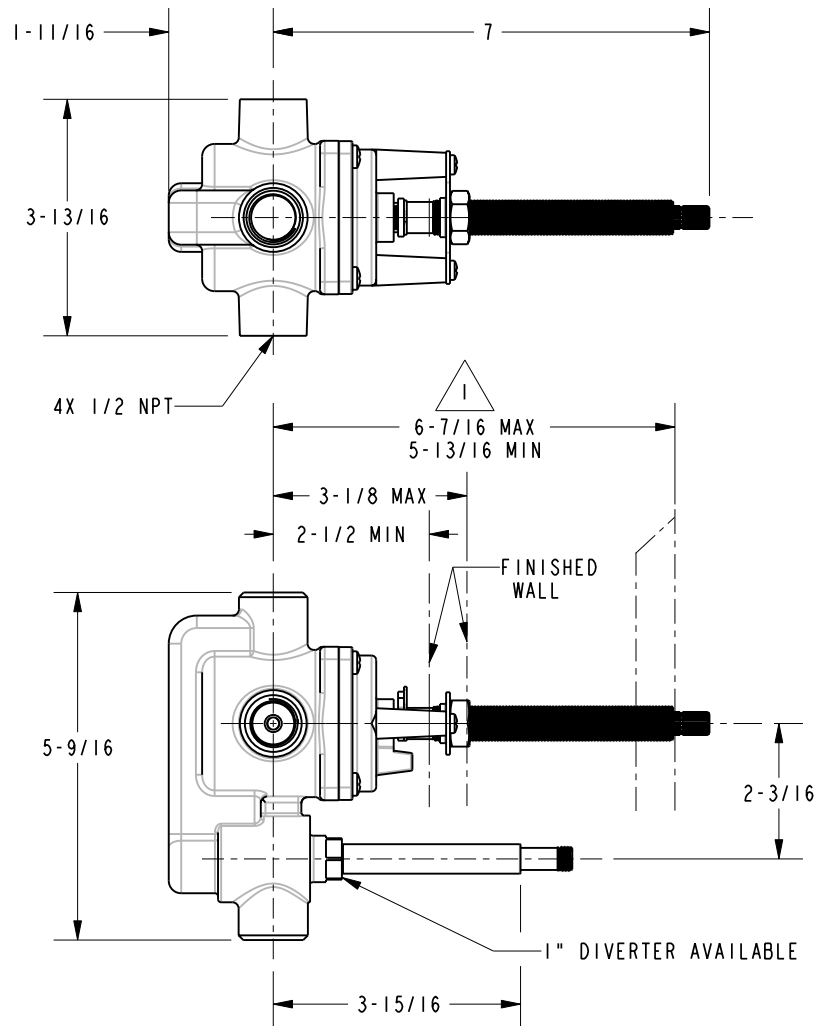
TUB / SHOWER SET - BP

ASSY. NO.		7302			
SCALE .250	REF. -	SHEET 1 OF 2	REV	EO-0554	08/15/05
			REV	REV DESC	DATE

SPECIFICATION DWG

NOTES:

- 1. CUT STEM TO DIMENSION SHOWN.
CUT ALL-THREAD 3/4" SHORTER THAN STEM.



DIMENSIONS ARE IN INCHES AND AN APPROXIMATION OF A TYPICAL INSTALLATION

COPYRIGHT 2005 BRASSTECH, INC. THESE DRAWINGS AND THE DESIGNS DEPICTED HEREIN ARE THE PROPRIETARY PROPERTY OF BRASSTECH. ANY USE OR REPRODUCTION IS SUBJECT TO THE EXPRESS APPROVAL OF BRASSTECH. UNAUTHORIZED USE IS STRICTLY PROHIBITED. ALL RIGHTS RESERVED.

BRASSTECH		2001 E. CARNEGIE AVE.
INCORPORATED		SANTA ANA, CA 92705
		(949) 417-5207
DWG NO.	7302	REV -
SCALE .325	REF. -	SHEET 2 OF 2