

4

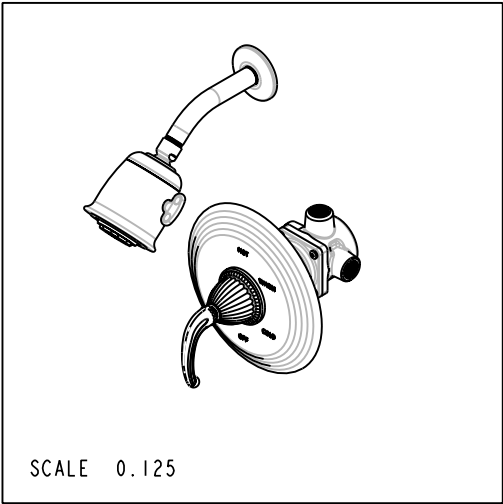
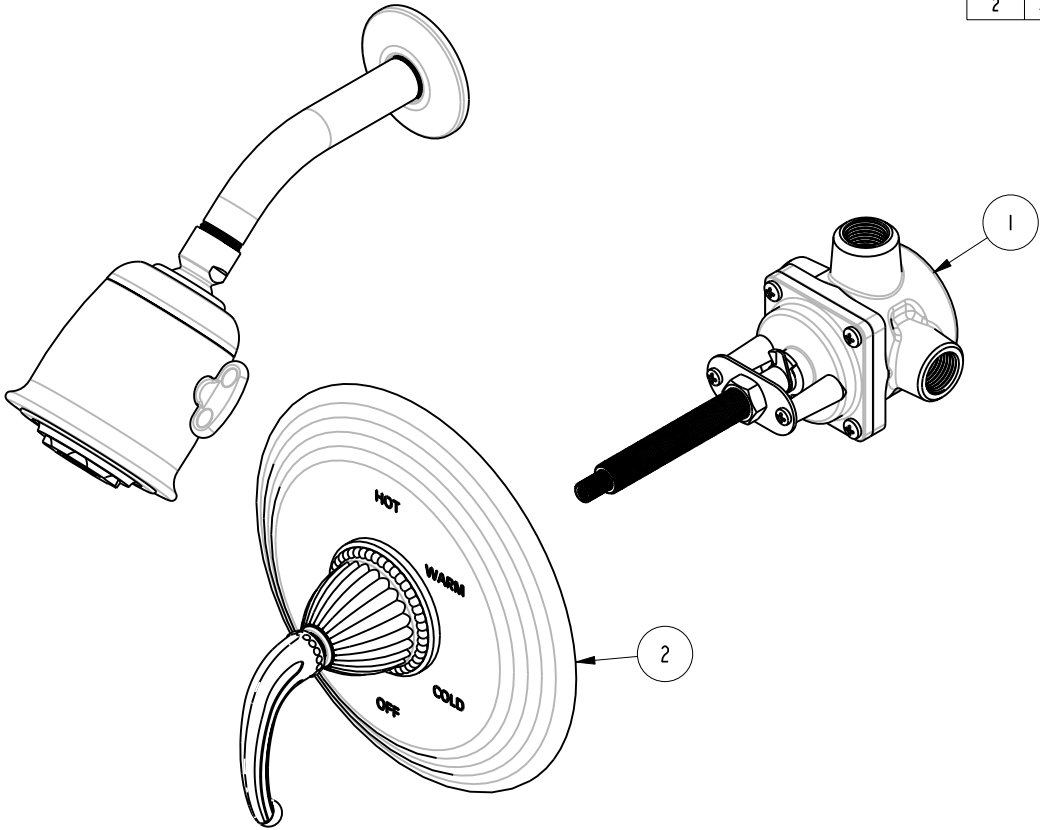
3

2

1

BILL OF MATERIAL (CURRENT LEVEL)

ITEM	PT/ASSY	DESCRIPTION	TYPE	QTY.
1	1-504	BP VALVE ASM W/O DIVERTER	ASSEMBLY	1
2	3-884BP	TRIM KIT - BP SHOWER SET	ASSEMBLY	1



COPYRIGHT 2005 BRASSTECH, INC. THESE DRAWINGS AND THE DESIGNS DEPICTED HEREIN ARE THE PROPRIETARY PROPERTY OF BRASSTECH. ANY USE OR REPRODUCTION IS SUBJECT TO THE EXPRESS APPROVAL OF BRASSTECH. UNAUTHORIZED USE IS STRICTLY PROHIBITED. ALL RIGHTS RESERVED.

**BRASSTECH**  
 INCORPORATED  
 2001 E. CARNEGIE AVE.  
 SANTA ANA, CA 92705  
 (949) 417-5207

SHOWER SET - BP

ASSY. NO. 884BP

SCALE 0.300	REF. -	SHEET 1 OF 3	A	EO-0224	07/01/03
			-	RELEASED	PRE '95
			REV	REV DESC	DATE

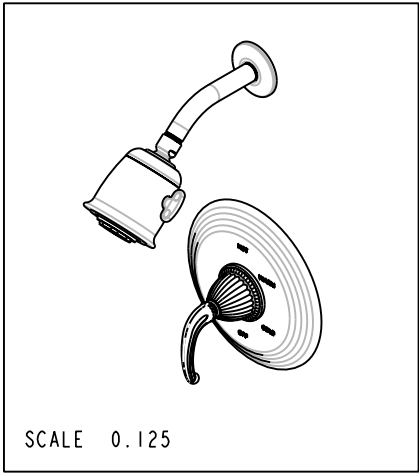
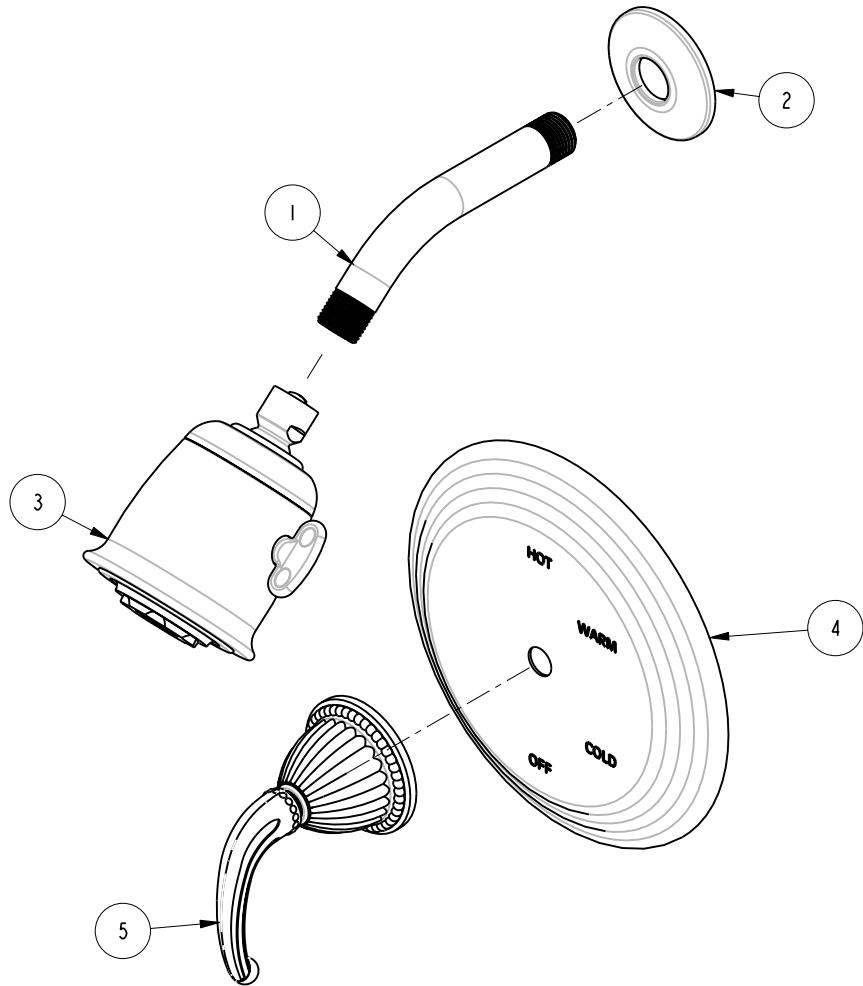
4

3

2

1

BILL OF MATERIAL (CURRENT LEVEL)				
ITEM	PT/ASSY	DESCRIPTION	TYPE	QTY.
1	200	SHOWER ARM 6" BRASS	PART	1
2	206	SHOWER ARM FLANGE 2.5	PART	1
3	2131	BELL SHOWERHEAD	ASSEMBLY	1
4	2-225	BP COVER PLATE FOR SHOWER	ASSEMBLY	1
5	3-159	TRIM KIT - STOP VALVE	ASSEMBLY	1



COPYRIGHT 2005 BRASSTECH, INC. THESE DRAWINGS AND THE DESIGNS DEPICTED HEREIN ARE THE PROPRIETARY PROPERTY OF BRASSTECH. ANY USE OR REPRODUCTION IS SUBJECT TO THE EXPRESS APPROVAL OF BRASSTECH. UNAUTHORIZED USE IS STRICTLY PROHIBITED. ALL RIGHTS RESERVED.

**BRASSTECH**  
INCORPORATED  
2001 E. CARNEGIE AVE.  
SANTA ANA, CA 92705  
(949) 417-5207

TRIM KIT - BP SHOWER SET

ASSY. NO. 884BP

SCALE 0.300

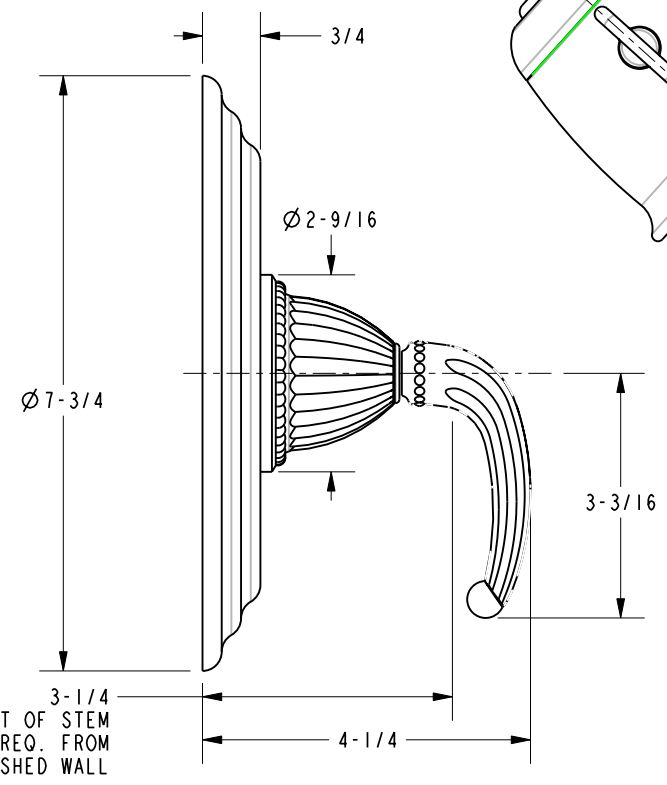
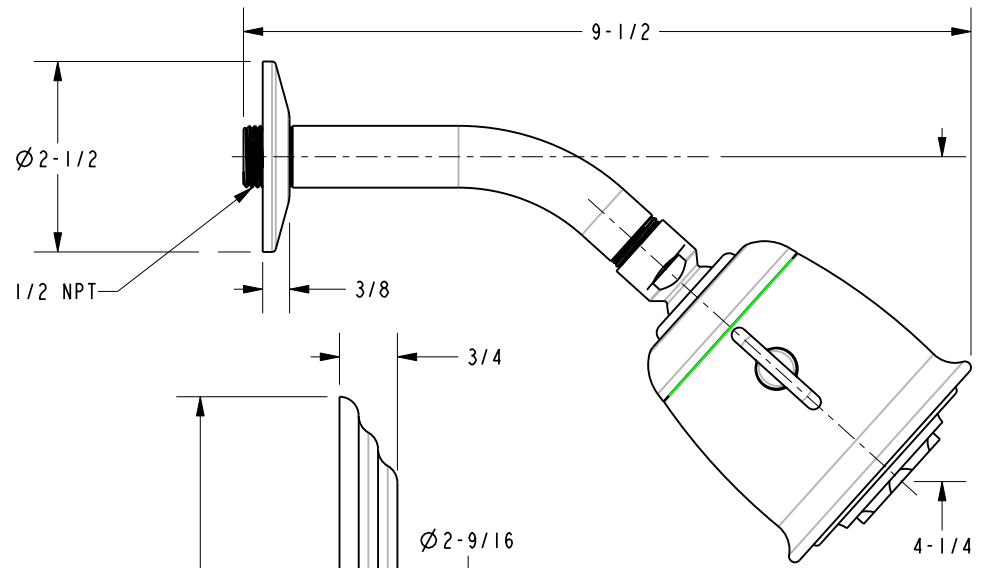
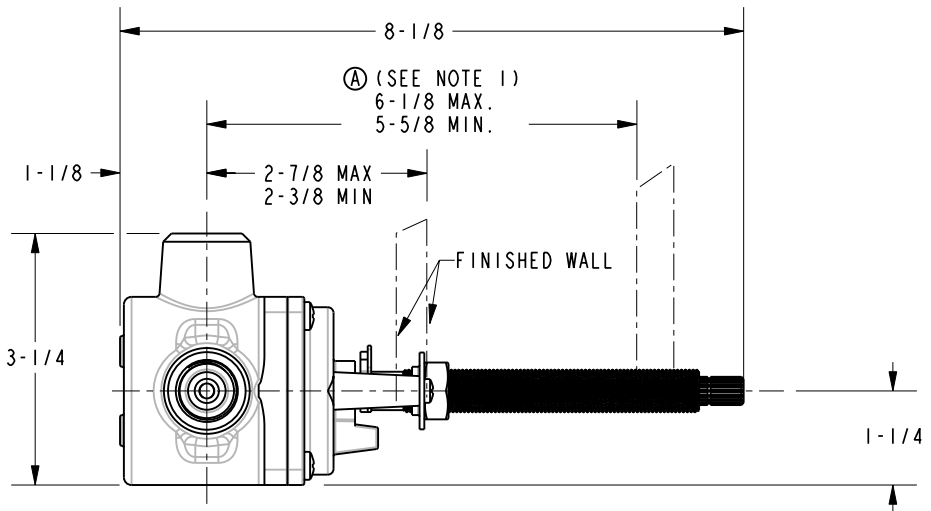
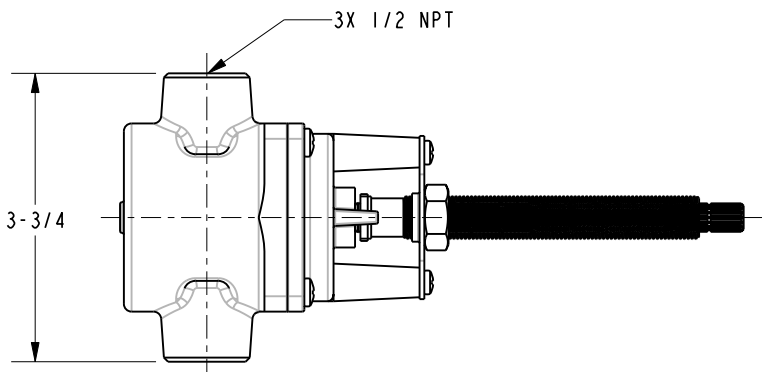
REF. -

SHEET 2 OF 3

A	EO-0224	07/01/03
-	RELEASED	PRE '95
REV	REV DESC	DATE

**SPECIFICATION DWG**

1. CUT STEM TO DIMENSION "A".  
 CUT ALL - THREAD 1/2"  
 SHORTER THAN STEM.



3-1/4  
 AMOUNT OF STEM  
 REQ. FROM  
 FINISHED WALL

DIMENSIONS ARE IN INCHES AND AN APPROXIMATION OF A TYPICAL INSTALLATION

COPYRIGHT 2005 BRASSTECH, INC. THESE DRAWINGS AND THE DESIGNS DEPICTED HEREIN ARE THE PROPRIETARY PROPERTY OF BRASSTECH. ANY USE OR REPRODUCTION IS SUBJECT TO THE EXPRESS APPROVAL OF BRASSTECH. UNAUTHORIZED USE IS STRICTLY PROHIBITED. ALL RIGHTS RESERVED.

<b>BRASSTECH</b>		2001 E. CARNEGIE AVE.	
INCORPORATED		SANTA ANA, CA 92705	
		(949) 417-5207	
DWG NO.	884BP	REV	A
SCALE	0.400	REF.	-
		SHEET	3 OF 3