

# C O L U M N A R <sup>TM</sup>

## I N S T A L L A T I O N   I N S T R U C T I O N S

R O M A N   B A T H   S E T

M O D E L : G 4 5 - 0 0 6



COMPLEMENT THIS PRODUCT WITH THESE  
COORDINATING ACCESSORIES:

sconce lights • mirrors • towel bars and rings • toiletry shelves and trays  
toilet tissue holders • robe hooks • hotel shelves • grab bars  
soap dishes and dispensers • tumblers • toothbrush holders • curtain rod holders

# GINGER<sup>®</sup>

PATENT PENDING

# Rough in valve Installation

We recommended Installation of this product by a Professional Plumbing Contractor

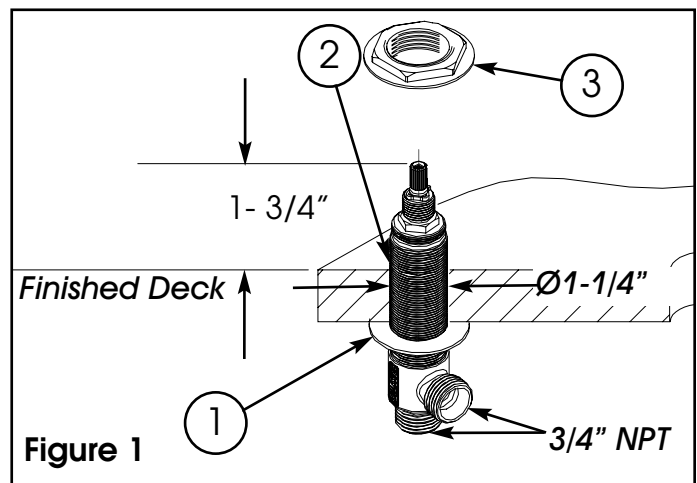
**Note:** Use Teflon tape or equivalent to seal all threaded joints.

**Warning:** To prevent severe damage to valve body, any solder/braze process must be performed a min. of 4" from ports.

It is strongly recommended that an access panel is built into the roman bath surround. Access panels allow for ease of trim installation and future possible repairs.

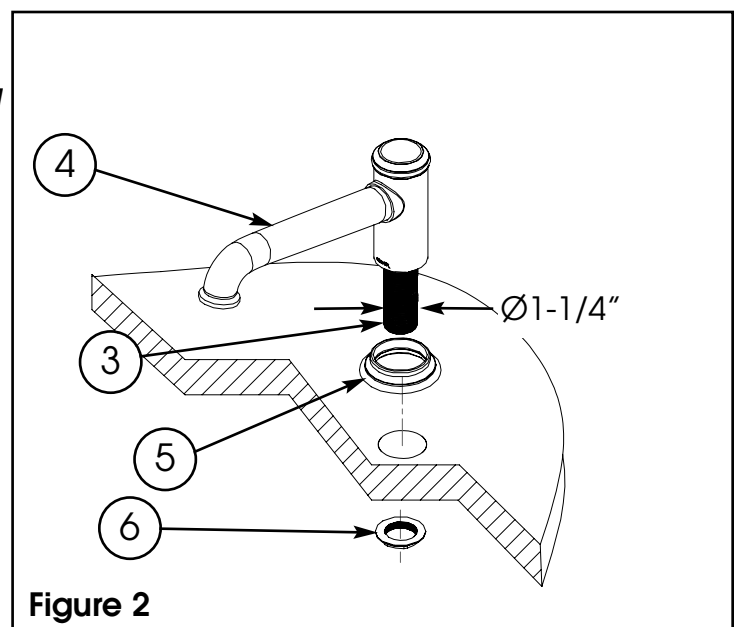
## Valve Installation

- Place flange NUT (1) on valve BODY (2).
- Insert BODY (2), (blue cold and red hot), through hole from below mounting surface.
- Adjust and secure with flange NUT (3) so that the top of valve stem is 1 3/4" above the mounting surface. See Figure 1.



## Spout Installation

- Slide spout NIPPLE (3) through ESCUTCHEON (5) and center hole of mounting surface. Make sure ESCUTCHEON (5) is flush with deck.
- Note: Spacer (80125, not supplied) maybe necessary to clear bath rim.
- Secure into place with flange NUT (6). See Figure 2.



## Trim Installation

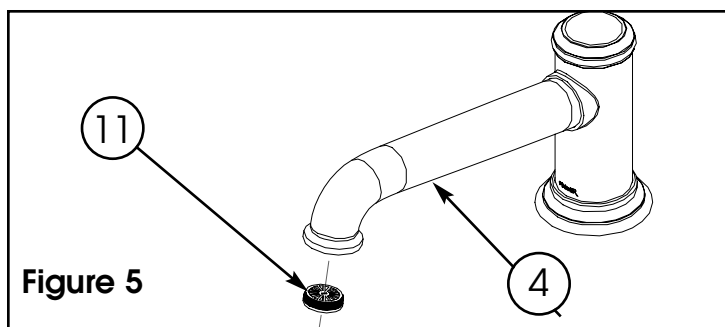
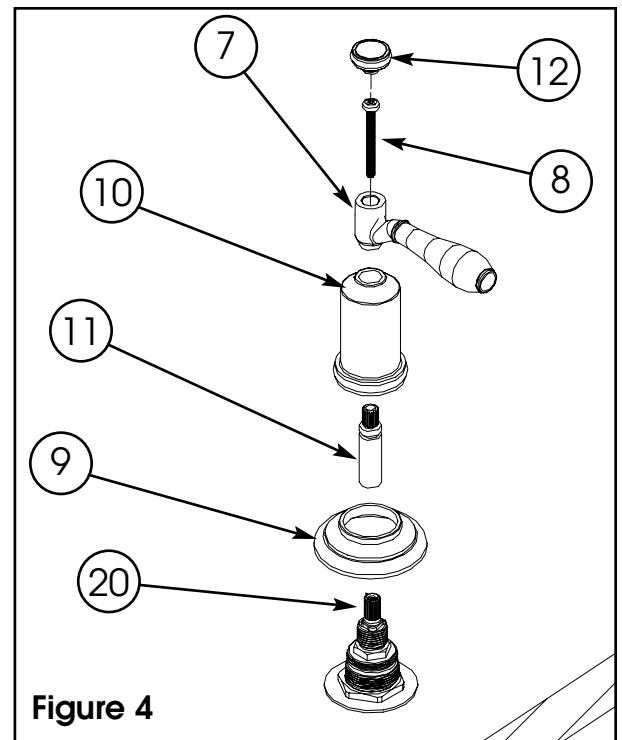
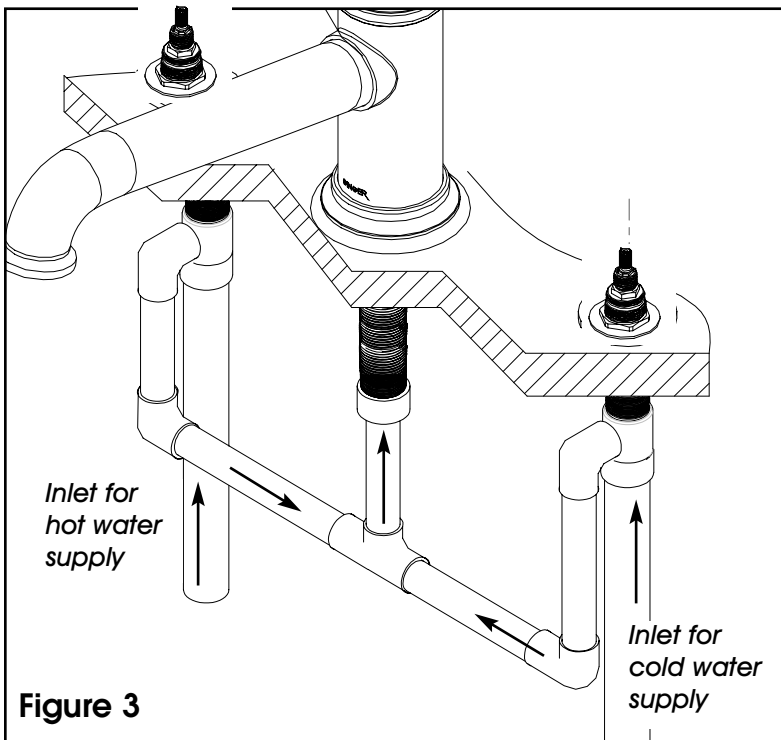
- Utilizing 3/4" copper pipe, make connections between spout, valves and water supply. See Figure 3.

**Warning:** To prevent severe damage to valve body, any solder/braze process must be performed a min. of 4" from ports.

- Install ESCUTCHEON (9), place broached ROD (11) with o-ring onto STEM (20). Tighten BONNET (10) over ROD (11) and onto ESCUTCHEON (9). Install LEVER (7) over BONNET (10). Align & secure with SCREW (8). Press end CAP (12) with o-ring into top of LEVER (7).

**Note:** Any adjustments for rotational alignment must be made to the valve BODY (2), not to the CARTRIDGE (20). See Figure 4.

- Using a thin blade screw driver, remove AERATOR (11) from SPOUT (4). See Figure 5.
- Turn on water supply, and flush both valves until water is clear.
- Check for leaks and make any final adjustments required.
- Re-attach AERATOR (11) to the SPOUT (4).



## **Ginger® Product Care**

Simple care is all that is needed in maintaining this product. Abrasive cleansers, detergents and silver or brass polish may result in damage to the finish and therefore should not be used. To clean, simply wipe with a soft, water-dampened cloth. Ginger hand, deck and wall shower sprays feature easy-cleaning jets. The jets should be cleaned periodically by rubbing your thumb or a damp cloth across the jets to loosen mineral deposits. Run the shower spray briefly to purge the loosened deposits.

## **Limited Warranty**

Ginger warrants to the original consumer residential purchaser ("Original Purchaser") that if a Ginger product ("Product") is confirmed upon inspection to be defective in materials or workmanship during the warranty periods described below, Ginger will, at its option, either repair or replace the Product with a similar current model of the Product. If repair or replacement is not commercially practical or cannot be made in a timely manner, then Ginger will provide a refund for the Product.

## **Warranty Periods and Coverage**

### **Product Finishes**

- PVD and Polished Chrome (PC) finishes on Products other than Drains are warranted as long as the Original Purchaser owns their home.
- All other finishes are warranted for ten (10) years from date of purchase by the Original Purchaser.

### **Drain Finishes**

- Polished Chrome (PC), Satin Nickel (SN) and Polished Brass (PB) finishes on bath or lavatory drains of all types ("Drains") are warranted for one (1) year from date of purchase by the Original Purchaser.
- All other Drain finishes have no warranty.

### **Functionality**

- All Product parts except valves are warranted for ten (10) years from date of purchase by the Original Purchaser.
- Ceramic disc valves for the lavatory faucet, tub/shower and roman tub are warranted for as long as the Original Purchaser owns the home.
- All other valves (balance pressure, thermostatic, etc.) are warranted for one (1) year from date of purchase by the Original Purchaser.

## **Exclusions from Coverage**

***This Warranty does not cover labor charges or associated costs for, or damages occurring during the removal, transportation, return or installation of Products or replacement Products.***

*This Warranty does not cover damage or defects due to normal wear and tear, misuse, abuse, hard water, improper storage, improper handling, improper maintenance\*, improper installation\*\* or uses other than normal household usage\*\*\*.*

*This Warranty is not transferable.*

## **Limitations on Remedies**

***In no event will Ginger be liable for incidental or consequential damages (such as labor charges), whether based on breach of express or implied warranty, breach of contract, negligence, strict liability or any other legal theory.***

*Some states do not allow the exclusion or limitation of incidental or consequential damages, so, the above limitation or exclusion may not apply to you.*

*Any implied warranties, including the implied warranties of merchantability and fitness for a particular purpose, are limited to the duration of this written warranty. Some states do not allow limitations on how long an implied warranty may last, so the above limitation may not apply to you.*

## **Warranty Service**

*To obtain service under this Warranty, please contact your Product dealer. If you are unable to locate your dealer, please call 800-842-4872 or access the Ginger website at [www.gingerco.com](http://www.gingerco.com). Proof of purchase, such as the original purchase order, is required to issue credit to the distributor.*

## **State Remedies**

*This Warranty gives you specific legal rights, and you may have other rights which vary from state to state.*

**\* Maintenance** *Proper maintenance is required to preserve all finishes. Do not use any abrasive cleaners, alcohol, ammonia, detergents, or brass or silver polish on the Products. For complete care requirements and recommendations, please visit our website at [www.gingerco.com](http://www.gingerco.com).*

**\*\* Proper Installation** *Products must be installed in accordance with the manufacturer's installation instructions supplied with the Products. For example, pipes must be flushed before faucet installations, because solder and other debris may damage ceramic discs. You may also call 800-842-4872 for copies of the installation instructions. Many of our installation instructions are also available on our website, [www.gingerco.com](http://www.gingerco.com).*

**\*\*\* Commercial Purchasers** *Ginger extends the above limited warranty to purchasers of Products for industrial, commercial and business use upon the same terms and conditions and exclusions applicable to residential purchasers, except that the finish and functionality warranty periods are reduced to a period of one (1) year from the date of purchase. **Additionally, with respect to commercial purchasers, all implied warranties, including the implied warranties of merchantability and fitness for a particular purpose are excluded and disclaimed.***