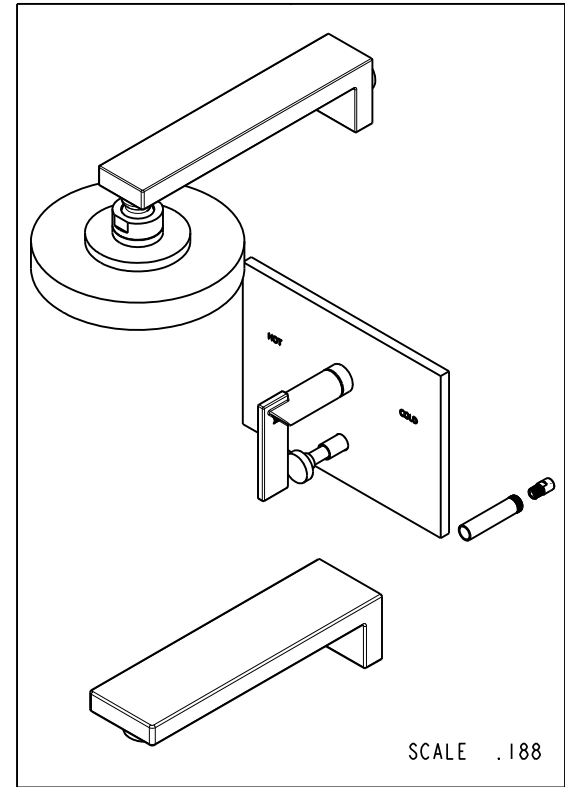
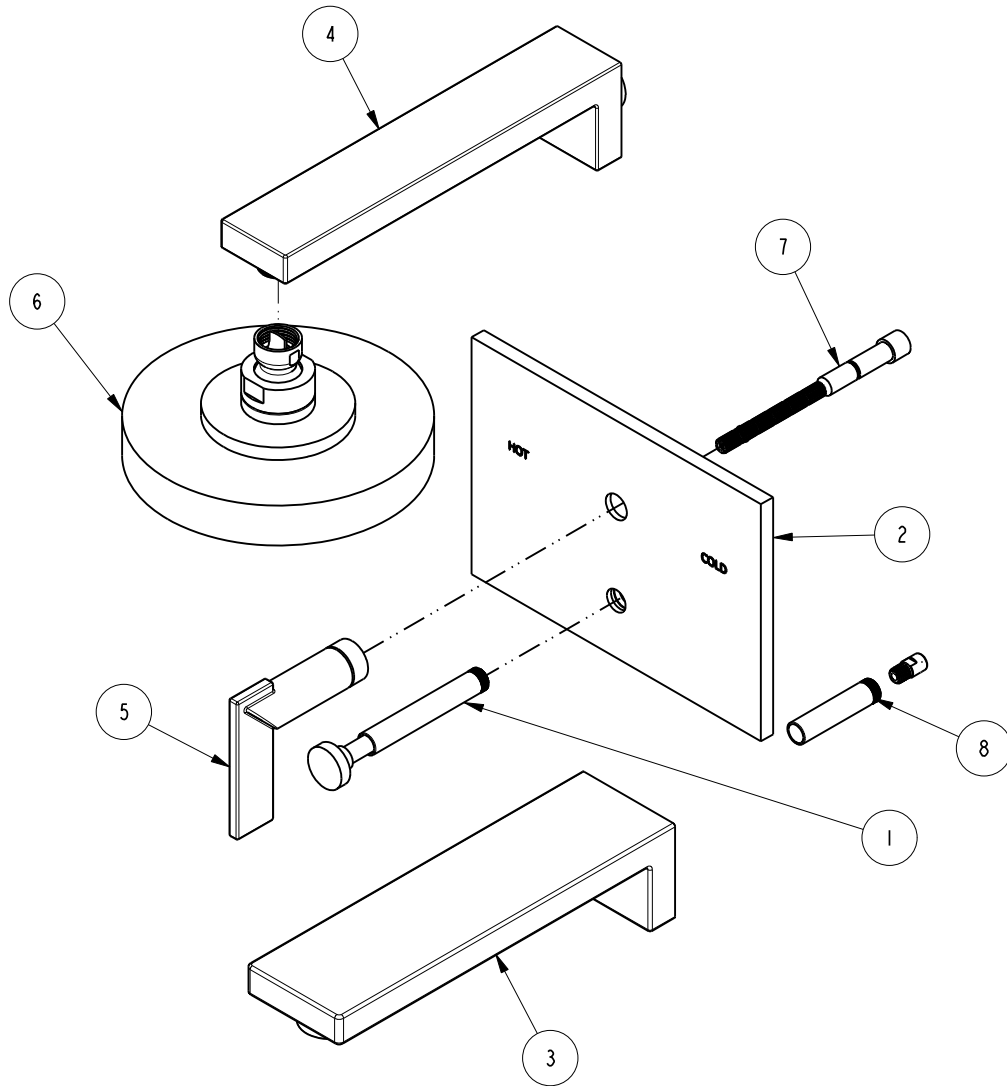


BILL OF MATERIAL (CURRENT LEVEL)				
ITEM	PT/ASSY	DESCRIPTION	TYPE	QTY.
1	8-031	DIVERTER TRIM	ASSEMBLY	1
2	8-032	TUB & SHOWER PLATE ASM	ASSEMBLY	1
3	8-030	WALL TUB SPOUT ASM	ASSEMBLY	1
4	201-2	SOREN SHOWER ARM	ASSEMBLY	1
5	2-801	HANDLE ASM	ASSEMBLY	1
6	2141	CONTEMP. SHOWER HEAD - SINGLE JET	ASSEMBLY	1
7	1-255	TOOTH STEM & RING KIT FOR BP VALVE	ASSEMBLY	1
8	2-894	DIVERTER TRIM KIT (SHORT)	ASSEMBLY	1



E	EN-2452	02/07/13
D	EN-2068	02/09/12
C	EN-1512	11/09/11
B	EN-1839	08/10/11
A	EN-1814	07/01/11
-	EN-1735	06/10/11
REV	REV DESC	DATE

COPYRIGHT 2005 BRASSTECH, INC. THESE DRAWINGS AND THE DESIGNS DEPICTED HEREIN ARE THE PROPRIETARY PROPERTY OF BRASSTECH. ANY USE OR REPRODUCTION IS SUBJECT TO THE EXPRESS APPROVAL OF BRASSTECH. UNAUTHORIZED USE IS STRICTLY PROHIBITED. ALL RIGHTS RESERVED.

BRASSTECH
INCORPORATED

2001 E. CARNEGIE AVE.
SANTA ANA, CA 92705
(949) 417-5207

BALANCED PRESSURE
TUB & SHOWER TRIM SET

ASSY. NO. 3-2542BP

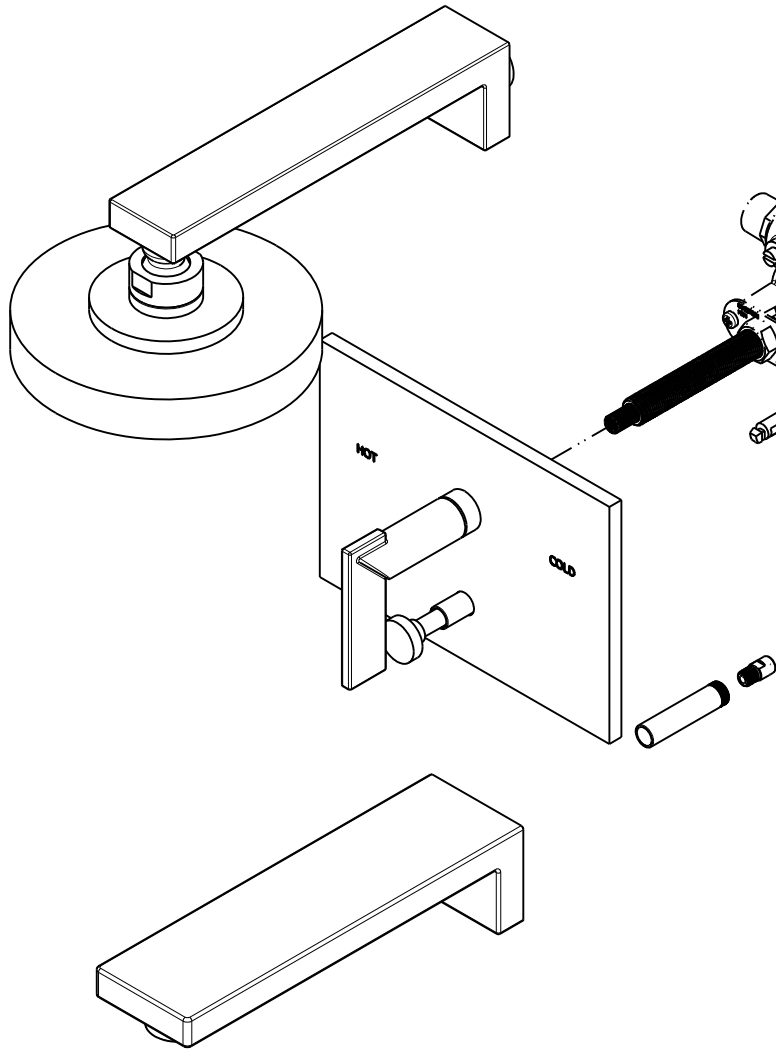
SCALE .275

REF. ***

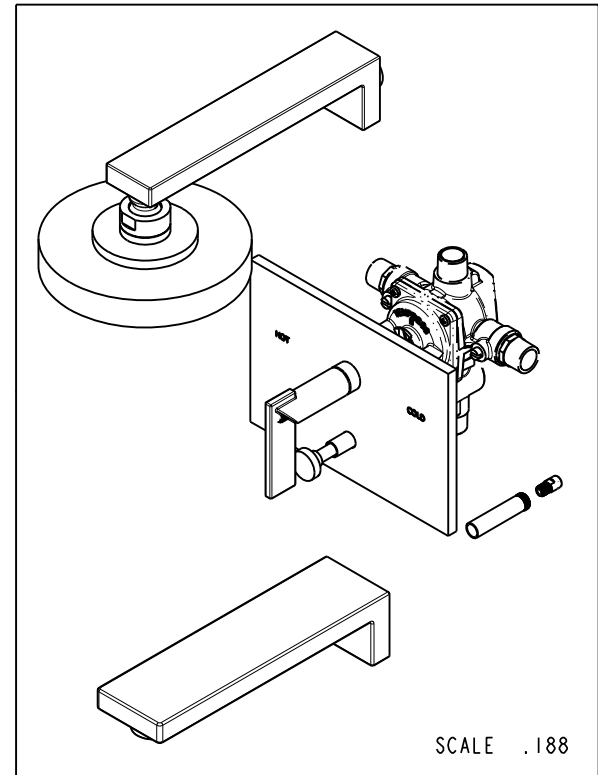
SHEET 1 OF 3

REV REV DESC DATE

SPECIFICATION DWG



PN: 1-595
SOLD SEPARATELY



SCALE .188

DIMENSIONS ARE IN INCHES AND AN APPROXIMATION OF A TYPICAL INSTALLATION

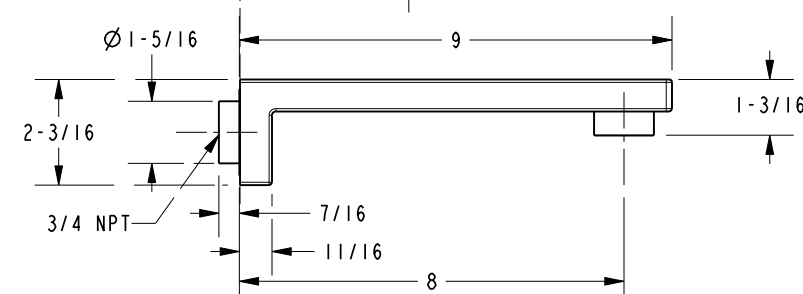
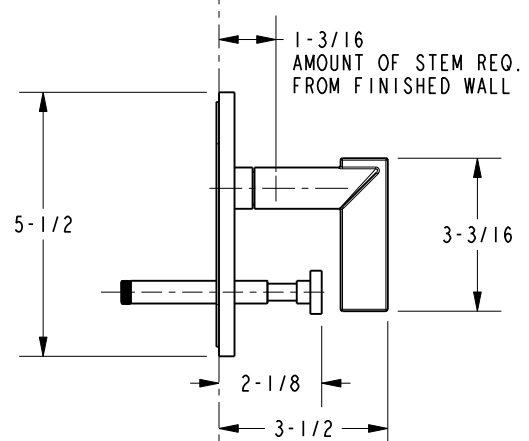
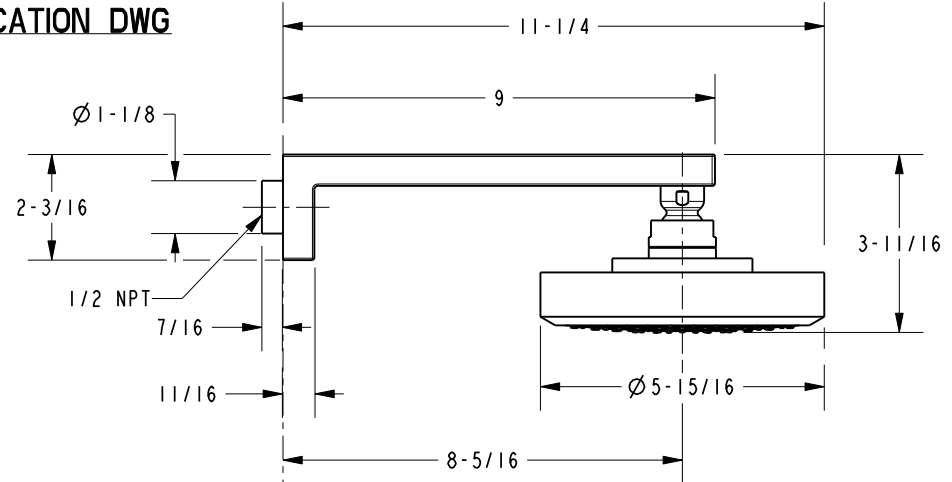
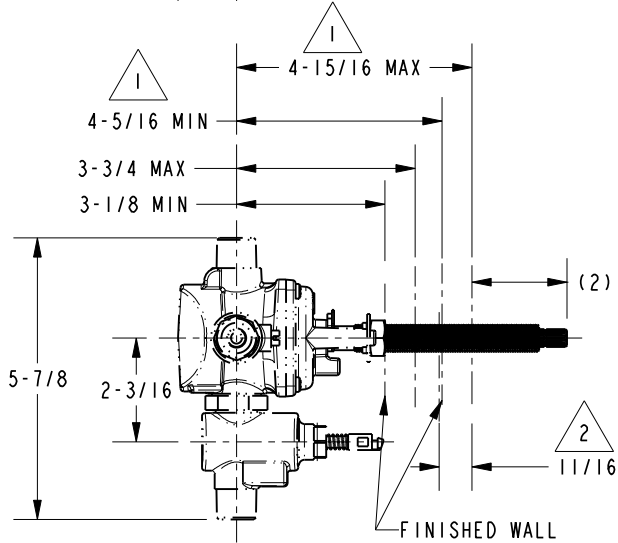
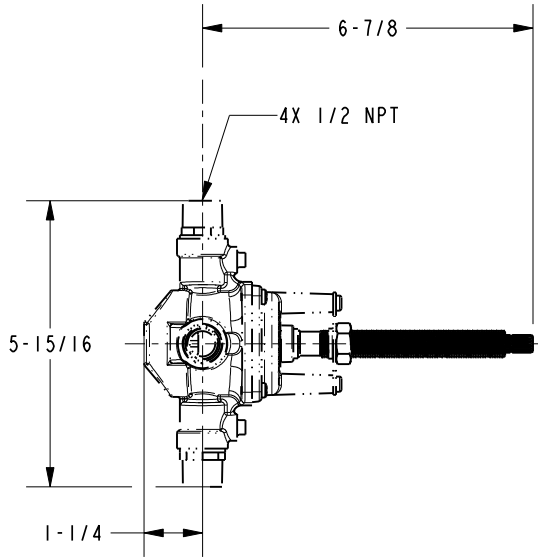
COPYRIGHT 2005 BRASSTECH, INC. THESE DRAWINGS AND THE DESIGNS DEPICTED HEREIN ARE THE PROPRIETARY PROPERTY OF BRASSTECH. ANY USE OR REPRODUCTION IS SUBJECT TO THE EXPRESS APPROVAL OF BRASSTECH. UNAUTHORIZED USE IS STRICTLY PROHIBITED. ALL RIGHTS RESERVED.

BRASSTECH		2001 CARNEGIE AVE. SANTA ANA, CA 92705 (949) 417-5207	
INCORPORATED			
DWG NO.	3-2542BP		REV E
SCALE .275	REF. ***	SHEET 2 OF 3	

SPECIFICATION DWG

NOTES:

- 1. CUT STEM TO DIMENSION SHOWN.
- 2. CUT ALL THREADS $11/16"$ SHORTER THAN STEM.



DIMENSIONS ARE IN INCHES AND AN APPROXIMATION OF A TYPICAL INSTALLATION

COPYRIGHT 2005 BRASSTECH, INC. THESE DRAWINGS AND THE DESIGNS DEPICTED HEREIN ARE THE PROPRIETARY PROPERTY OF BRASSTECH. ANY USE OR REPRODUCTION IS SUBJECT TO THE EXPRESS APPROVAL OF BRASSTECH. UNAUTHORIZED USE IS STRICTLY PROHIBITED. ALL RIGHTS RESERVED.

BRASSTECH		2001 CARNEGIE AVE. SANTA ANA, CA 92705 (949) 417-5207	
INCORPORATED			
DWG NO.	3-2542BP		REV E
SCALE	.250	REF.	***
		SHEET	3 OF 3