

4

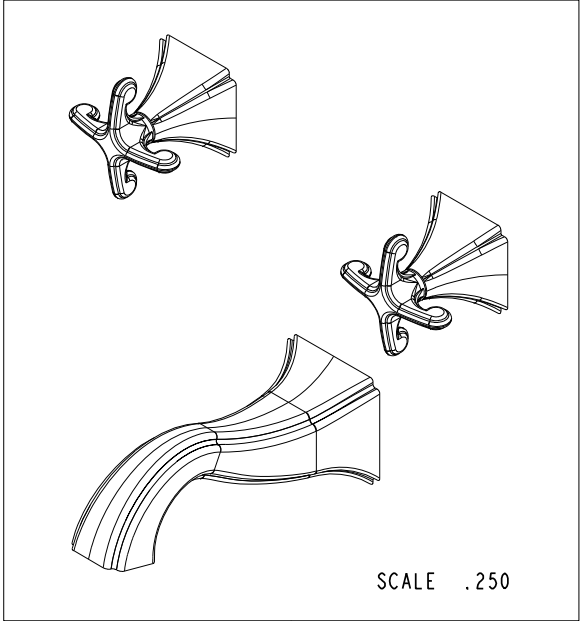
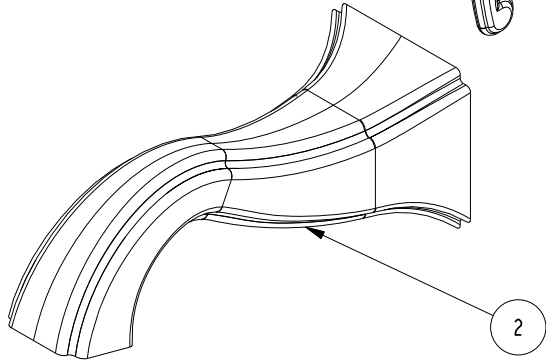
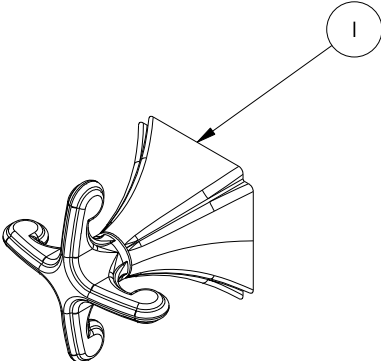
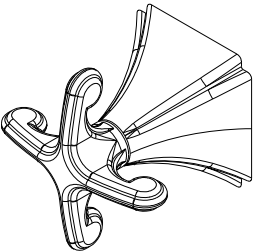
3

2

1

BILL OF MATERIAL (CURRENT LEVEL)

| ITEM | PT/ASSY | DESCRIPTION | TYPE | QTY. |
|------|---------|--------------------|----------|------|
| 1 | 3-424 | HANDLE CROSS | ASSEMBLY | 2 |
| 2 | 8-009 | TUB WALL SPOUT ASM | ASSEMBLY | 1 |



D

C

B

A

D

C

B

A

COPYRIGHT 2005 BRASSTECH, INC. THESE DRAWINGS AND THE DESIGNS DEPICTED HEREIN ARE THE PROPRIETARY PROPERTY OF BRASSTECH. ANY USE OR REPRODUCTION IS SUBJECT TO THE EXPRESS APPROVAL OF BRASSTECH. UNAUTHORIZED USE IS STRICTLY PROHIBITED. ALL RIGHTS RESERVED.

BRASSTECH
 INCORPORATED
 2001 E. CARNEGIE AVE.
 SANTA ANA, CA 92705
 (949) 417-5207

W/M TUB FAUCET-CROSS HANDLES

| | | | | | | |
|-----------|--------|------|---|-----|----------|----------|
| ASSY. NO. | 3-2525 | | | A | EN-1907 | 09/23/11 |
| SCALE | .375 | REF. | - | - | EN-1735 | 06/10/11 |
| SHEET | 1 | OF | 3 | REV | REV DESC | DATE |

4

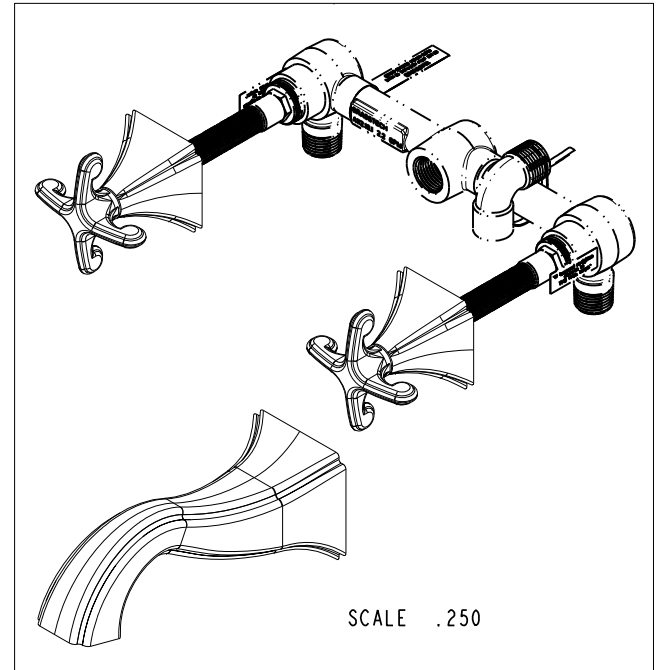
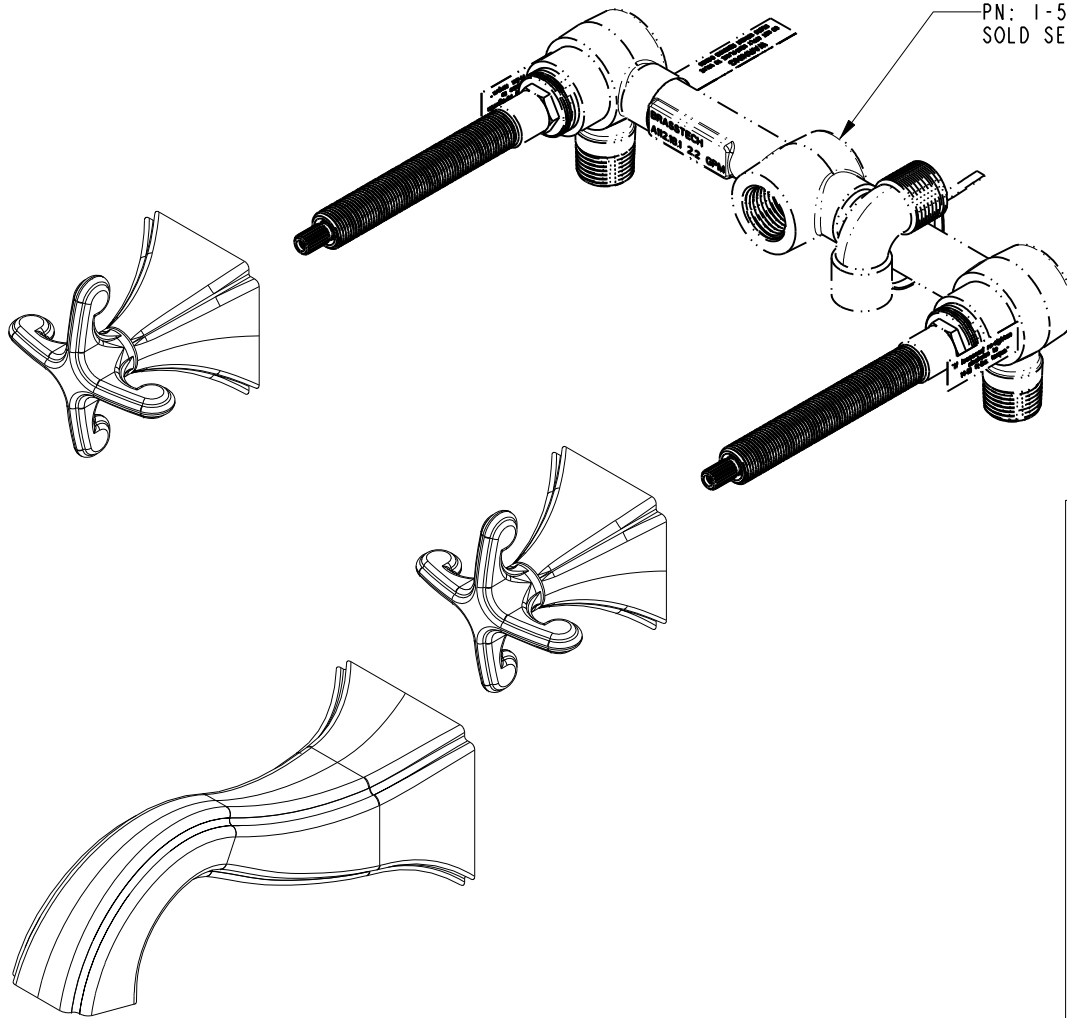
3

2

1

SPECIFICATION DWG

PN: 1-564
SOLD SEPARATELY



DIMENSIONS ARE IN INCHES AND AN APPROXIMATION OF A TYPICAL INSTALLATION

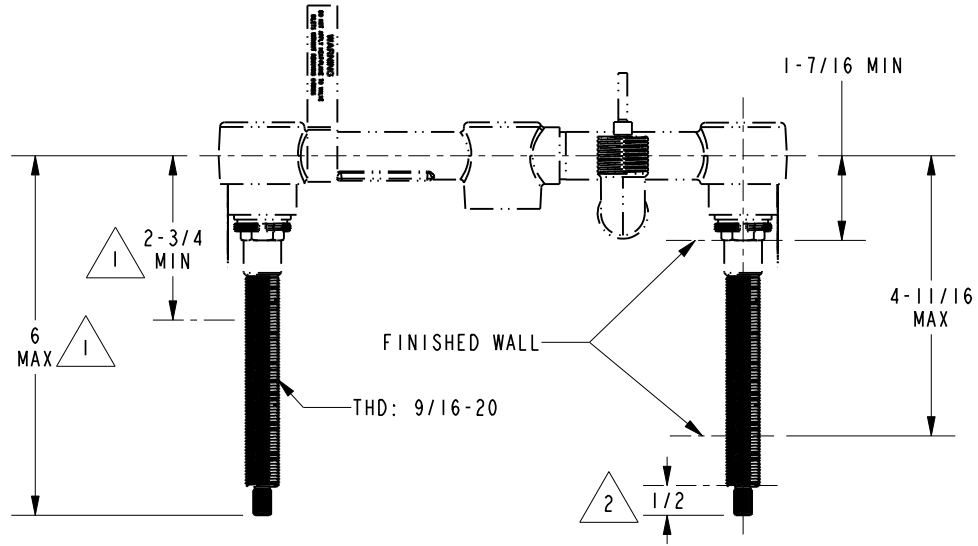
COPYRIGHT 2005 BRASSTECH, INC. THESE DRAWINGS AND THE DESIGNS DEPICTED HEREIN ARE THE PROPRIETARY PROPERTY OF BRASSTECH. ANY USE OR REPRODUCTION IS SUBJECT TO THE EXPRESS APPROVAL OF BRASSTECH. UNAUTHORIZED USE IS STRICTLY PROHIBITED. ALL RIGHTS RESERVED.

| | | | |
|------------------|--------|-----------------------|--------|
| BRASSTECH | | 2001 E. CARNEGIE AVE. | |
| INCORPORATED | | SANTA ANA, CA 92705 | |
| | | (949) 417-5207 | |
| DWG NO. | 3-2525 | REV | A |
| SCALE | .375 | REF. | - |
| | | SHEET | 2 OF 3 |

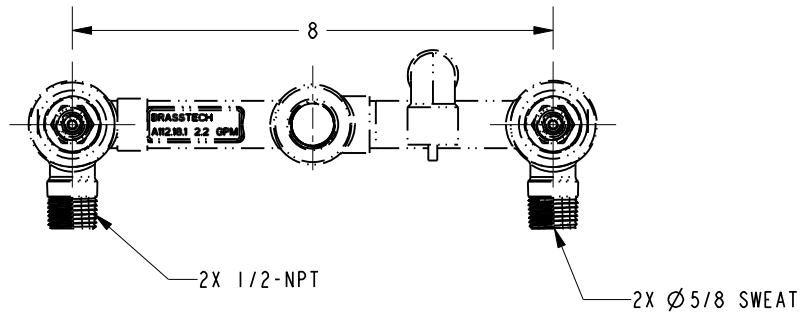
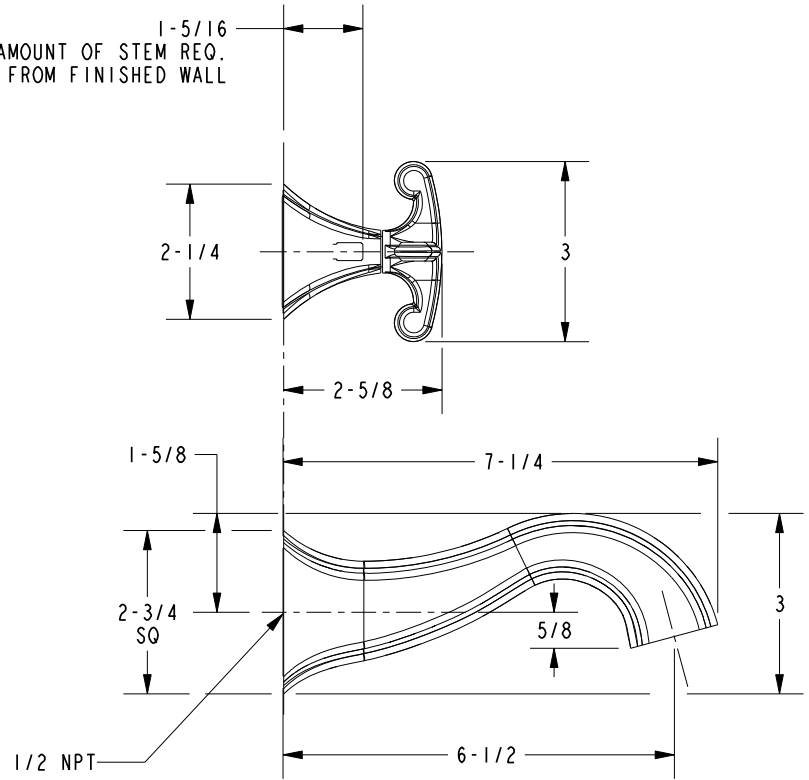
SPECIFICATION DWG

NOTES:

1. CUT STEM TO DIMENSION SHOWN.
2. CUT ALL-THREAD 1/2" SHORTER THAN STEM.
3. VALVE, PN: 1-564, SOLD SEPERATELY.



1-5/16
AMOUNT OF STEM REQ.
FROM FINISHED WALL



DIMENSIONS ARE IN INCHES AND AN APPROXIMATION OF A TYPICAL INSTALLATION

COPYRIGHT 2005 BRASSTECH, INC. THESE DRAWINGS AND THE DESIGNS DEPICTED HEREIN ARE THE PROPRIETARY PROPERTY OF BRASSTECH. ANY USE OR REPRODUCTION IS SUBJECT TO THE EXPRESS APPROVAL OF BRASSTECH. UNAUTHORIZED USE IS STRICTLY PROHIBITED. ALL RIGHTS RESERVED.

| | | |
|------------------|--------|-----------------------|
| BRASSTECH | | 2001 E. CARNEGIE AVE. |
| INCORPORATED | | SANTA ANA, CA 92705 |
| | | (949) 417-5207 |
| DWG NO. | 3-2525 | REV A |
| SCALE | .313 | SHEET 3 OF 3 |