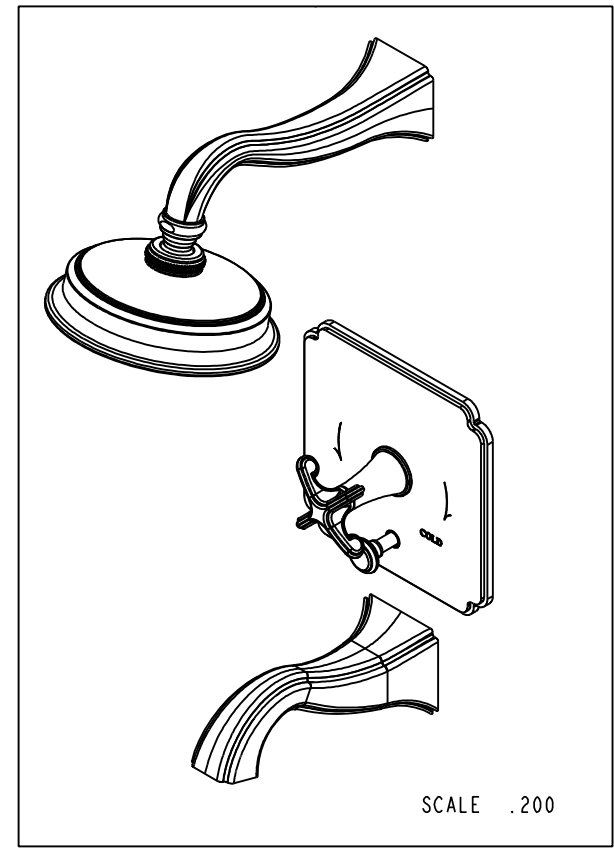


BILL OF MATERIAL (CURRENT LEVEL)

ITEM	PT/ASSY	DESCRIPTION	TYPE	QTY.
1	8-007	DIVERTER TRIM ASM	ASSEMBLY	1
2	8-006	SHOWER PLATE ASM	ASSEMBLY	1
3	2-807	CROSS HANDLE/ESCUTCHEON ASM	ASSEMBLY	1
4	8-009	TUB WALL SPOUT ASM	ASSEMBLY	1
5	80020	SHOWER ARM	PART	1
6	2142	TRAD. SHOWER HEAD - SINGLE JET	ASSEMBLY	1
7	1-255	TOOTH STEM & RING KIT FOR BP VALVE	ASSEMBLY	1

2-757
AN 09/11/13



SCALE .200

COPYRIGHT 2005 BRASSTECH, INC. THESE DRAWINGS AND THE DESIGNS DEPICTED HEREIN ARE THE PROPRIETARY PROPERTY OF BRASSTECH. ANY USE OR REPRODUCTION IS SUBJECT TO THE EXPRESS APPROVAL OF BRASSTECH. UNAUTHORIZED USE IS STRICTLY PROHIBITED. ALL RIGHTS RESERVED.

BRASSTECH
INCORPORATED
2001 E. CARNEGIE AVE.
SANTA ANA, CA 92705
(949) 417-5207

**BALANCED PRESSURE TUB &
SHOWER TRIM SET - CROSS HANDLE**

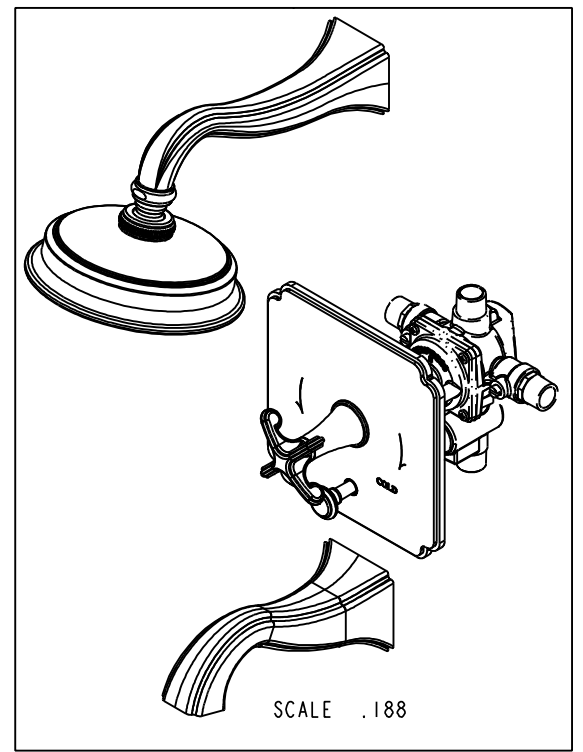
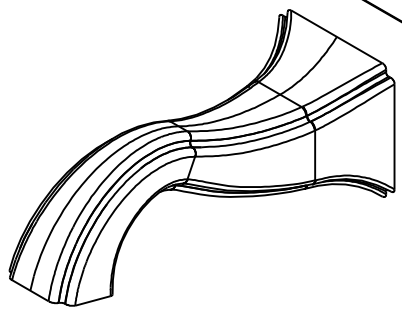
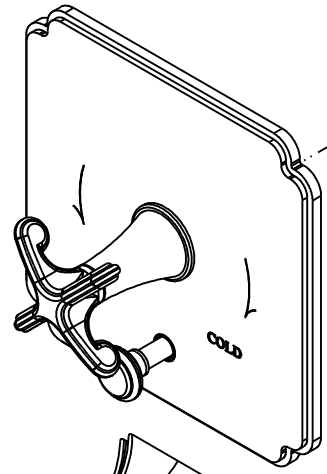
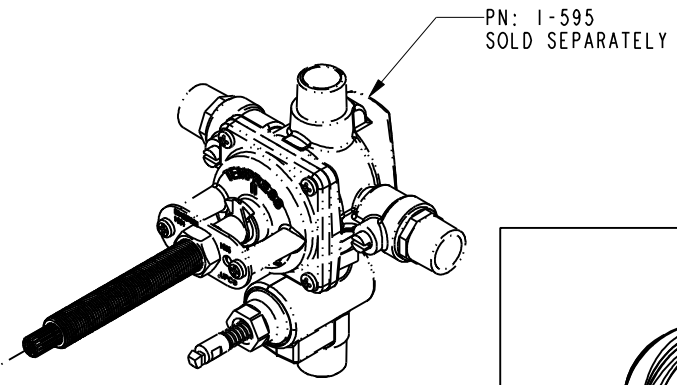
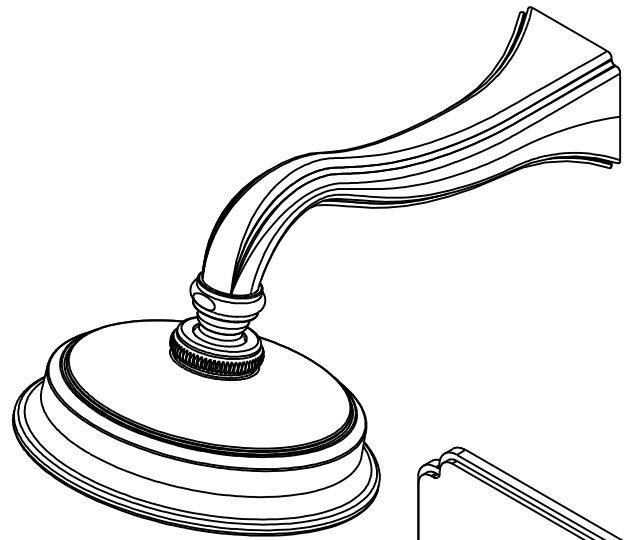
ASSY. NO.	3-2522BP		
SCALE	.313	REF.	-
SHEET	1	OF	3
REV		REV DESC	
		DATE	

C	EN-2068	02/09/12
B	EN-2027	01/06/12
A	EN-1805	06/29/11
-	EN-1735	06/10/11

4 3 2 1

↓

SPECIFICATION DWG



DIMENSIONS ARE IN INCHES AND AN APPROXIMATION OF A TYPICAL INSTALLATION

COPYRIGHT 2005 BRASSTECH, INC. THESE DRAWINGS AND THE DESIGNS DEPICTED HEREIN ARE THE PROPRIETARY PROPERTY OF BRASSTECH. ANY USE OR REPRODUCTION IS SUBJECT TO THE EXPRESS APPROVAL OF BRASSTECH. UNAUTHORIZED USE IS STRICTLY PROHIBITED. ALL RIGHTS RESERVED.

BRASSTECH		2001 E. CARNEGIE AVE.	
INCORPORATED		SANTA ANA, CA 92705	
		(949) 417-5207	
DWG NO.	3-2522BP		REV C
SCALE .313	REF. -	SHEET 2 OF 3	

D

D

C

C

B

B

A

A

4

3

2

1

NOTES:

- 1. CUT STEM TO DIMENSION SHOWN.
- 2. CUT ALL-THREAD 1/2" SHORTER THAN STEM.

SPECIFICATION DWG

