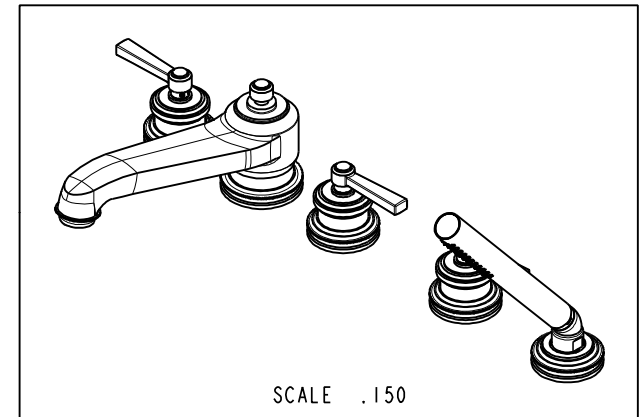
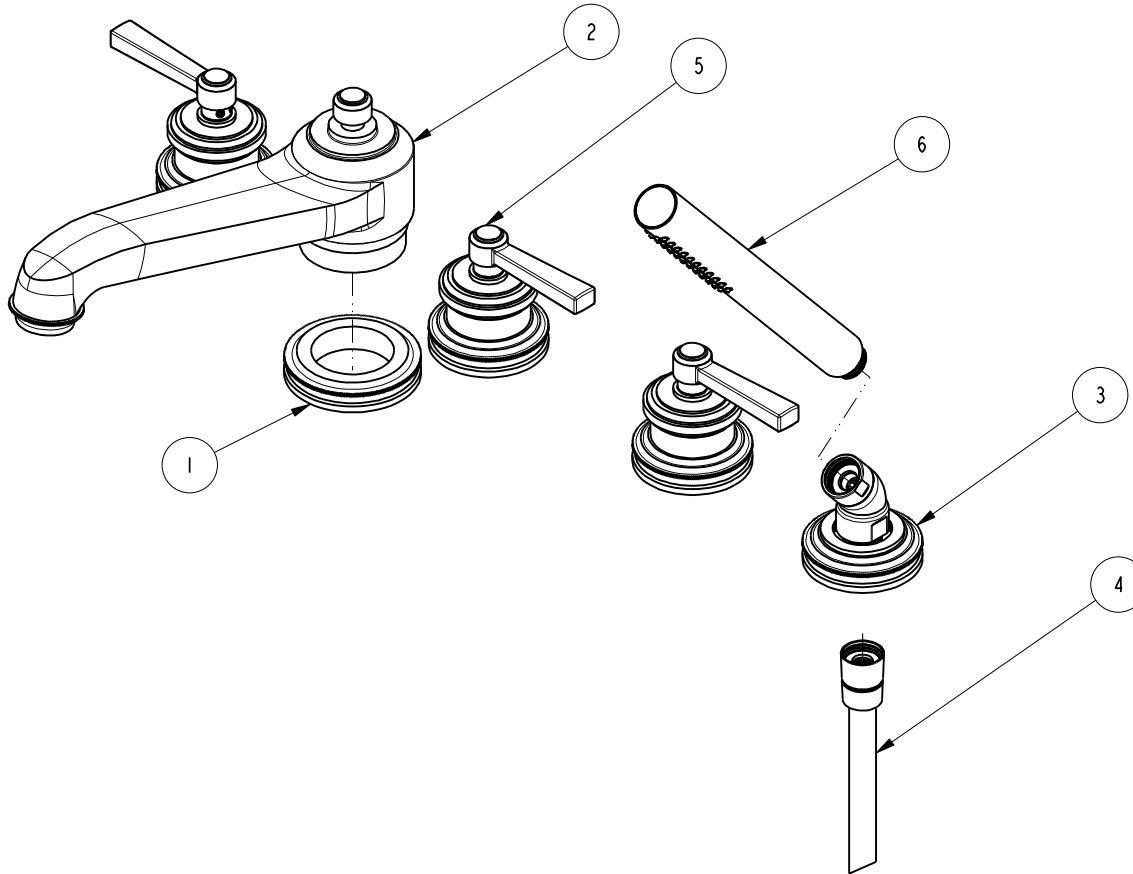


NOTES:

1. TO INSPECT ASSEMBLY, FOLLOW FIRST ARTICLE AND IN PROCESS INSPECTION SHEET.

**BILL OF MATERIAL (CURRENT LEVEL)**

ITEM	PT/ASSY	DESCRIPTION	TYPE	QTY.
1	11094	R/T SPOUT BASE RING	PART	1
2	2-437	R/T SPOUT ASM	ASSEMBLY	1
3	6-289-2	DECK FLANGE TRIM	ASSEMBLY	1
4	284	59 IN. SPIRAL SHOWER HOSE	ASSEMBLY	1
5	3-279L	LEVER HANDLE/ESCUTCHEON ASM	ASSEMBLY	3
6	283-101	ROUND WAND HANDSHOWER	ASSEMBLY	1



ZONE	REV	DESCRIPTION	DATE	APPROVED
-	E	EN-4300u	02/02/21	R.S.
-	D	EN-3397	05/28/18	J.A.
-	C	EN-2032	01/07/14	-
-	B	EO-0357	05/21/04	-
-	A	EO-0255	01/27/04	-

COPYRIGHT 2005 BRASSTECH, INC. THESE DRAWINGS AND THE DESIGNS DEPICTED HEREIN ARE THE PROPRIETARY PROPERTY OF BRASSTECH. ANY USE OR REPRODUCTION IS SUBJECT TO THE EXPRESS APPROVAL OF BRASSTECH. UNAUTHORIZED USE IS STRICTLY PROHIBITED. ALL RIGHTS RESERVED.

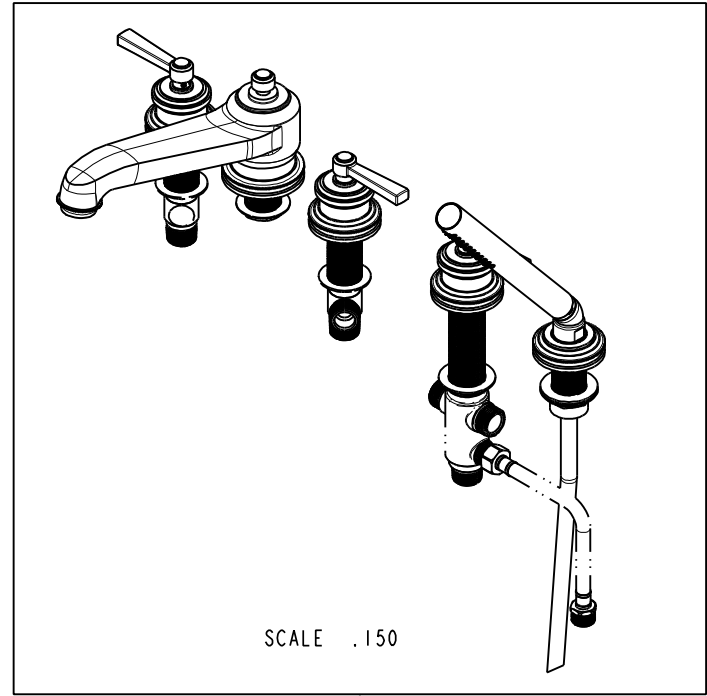
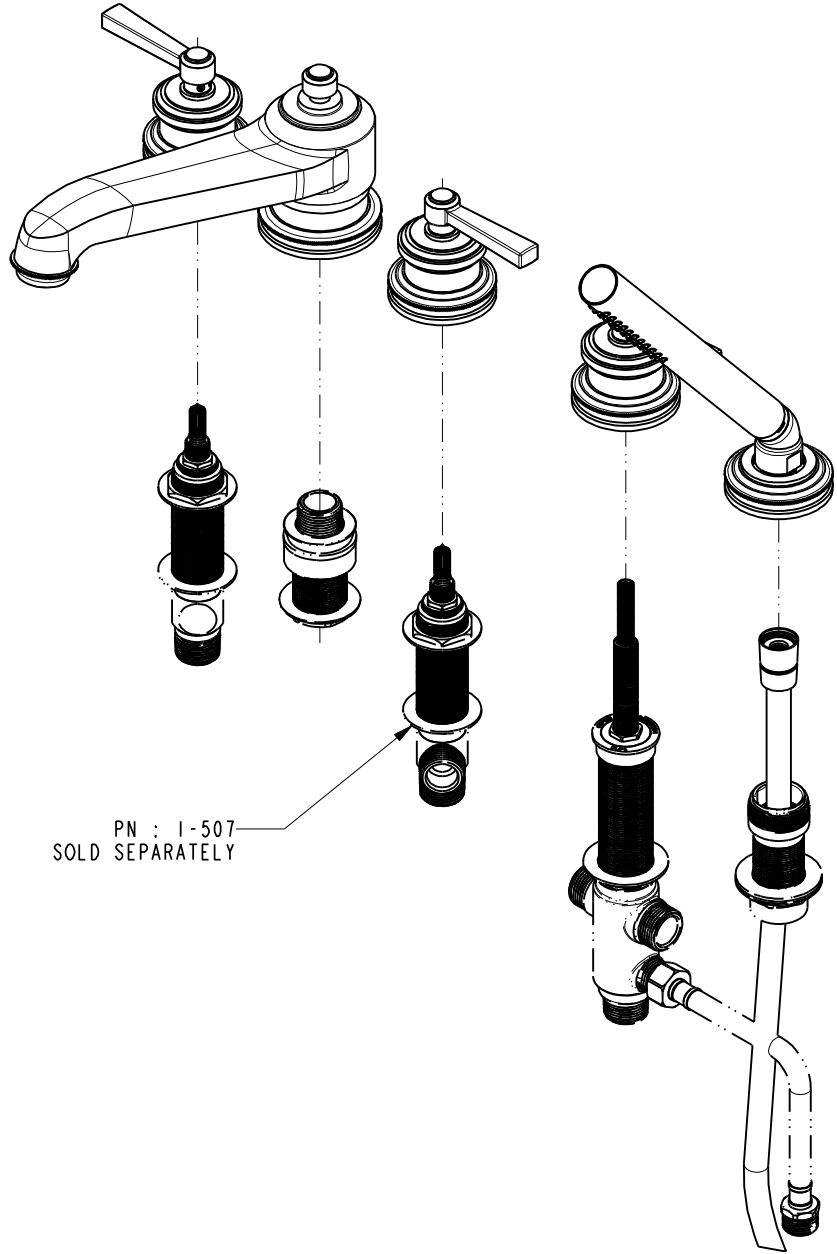
TESTING	-	-	-
ASSEMBLY	-	-	-
PLATING	-	-	-
POLISHING	-	NEXT ASSY	USED ON
MACHINING	-	APPLICATION	
TOOLING FIXTURE #	REMOVE ALL BURRS AND SHARP EDGES		

UNITS ARE: INCHES [MM]		
TOLERANCES ARE:		
FRACTIONS DECIMALS	ANGLES	
±1/16"	.X ±.1 [2,5]	±1°
	.XX ±.06 [1,5]	
(X.XXX) DENOTES CRITICAL DIMS.		
ALL THREADS ARE CRITICAL		
DRAWN	JINSON	02/02/21
CHECKED	R.S.	02/02/21
APPROVED	R.S.	02/02/21

**BRASSTECH** 2001 CARNEGIE AVE.  
INCORPORATED SANTA ANA, CA 92705  
(949) 417-5207

TRIM KIT - 3-1627

DWG NO.	3-1627	REV	E
SCALE	.250	REF.	-
SHEET	1	OF	3



<b>BRASSTECH</b>		2001 CARNEGIE AVE. SANTA ANA, CA 92705 (949) 417-5207	
INCORPORATED			
DWG NO. 3-1627		REV E	
SCALE .225	REF. -	SHEET 2 OF 3	

