

Tub and Handshower Set
2560-4261

Features

- Brass Construction
- Euro-motion ceramic disc 40 mm valve cartridge
- 9.25 gallons (35 liters) per minute spout maximum flow rate
- 3/4" braided hot and cold supply lines (with 1/2" adapters)
- 38.02" (96.6 cm) tub spout height at outlet
- 7.86" (19.9 cm) tub spout reach (center-center)
- Contemporary handshower design of resin construction
- Floor mounting bracket with integral base and escutcheon
- ADACompliant (Handles Only)
- 1.8 GPM (6.8 LPM) Max, Handshower Only

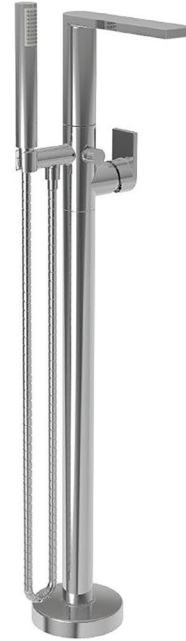
Codes / Standards Compliance

Meets or exceeds the following at date of manufacture:

- ASME A112.18.1/CSA B125.1
- IAMPO/cUPC
- IPC
- ADA & ICC/ANSI A117.1 (Handle Only)
- Energy Policy Act of 1992
- EPA WaterSense
- California Energy Commission
- ASME A112.18.3 (Back Flow)
- All applicable US Federal and State material regulations

Colors / Finishes

- 10B: Oil Rubbed Bronze
- 15: Polished Nickel
- 15S: Satin Nickel - PVD
- 26: Polished Chrome
- Other: Refer to the Newport Brass catalog for additional color/finish options.



Specified Model

Model	Description	Colors Finishes
2560-4261	Freestanding Exposed Tub and Handshower Set	<input type="checkbox"/> 10B <input type="checkbox"/> 15 <input type="checkbox"/> 15S <input type="checkbox"/> 26 <input type="checkbox"/> Other

Optional Accessory:

Model	<input type="checkbox"/> 1-339
Descriptions	Freestanding Tub Fill Rough Kit (Floor Mount)
Image	

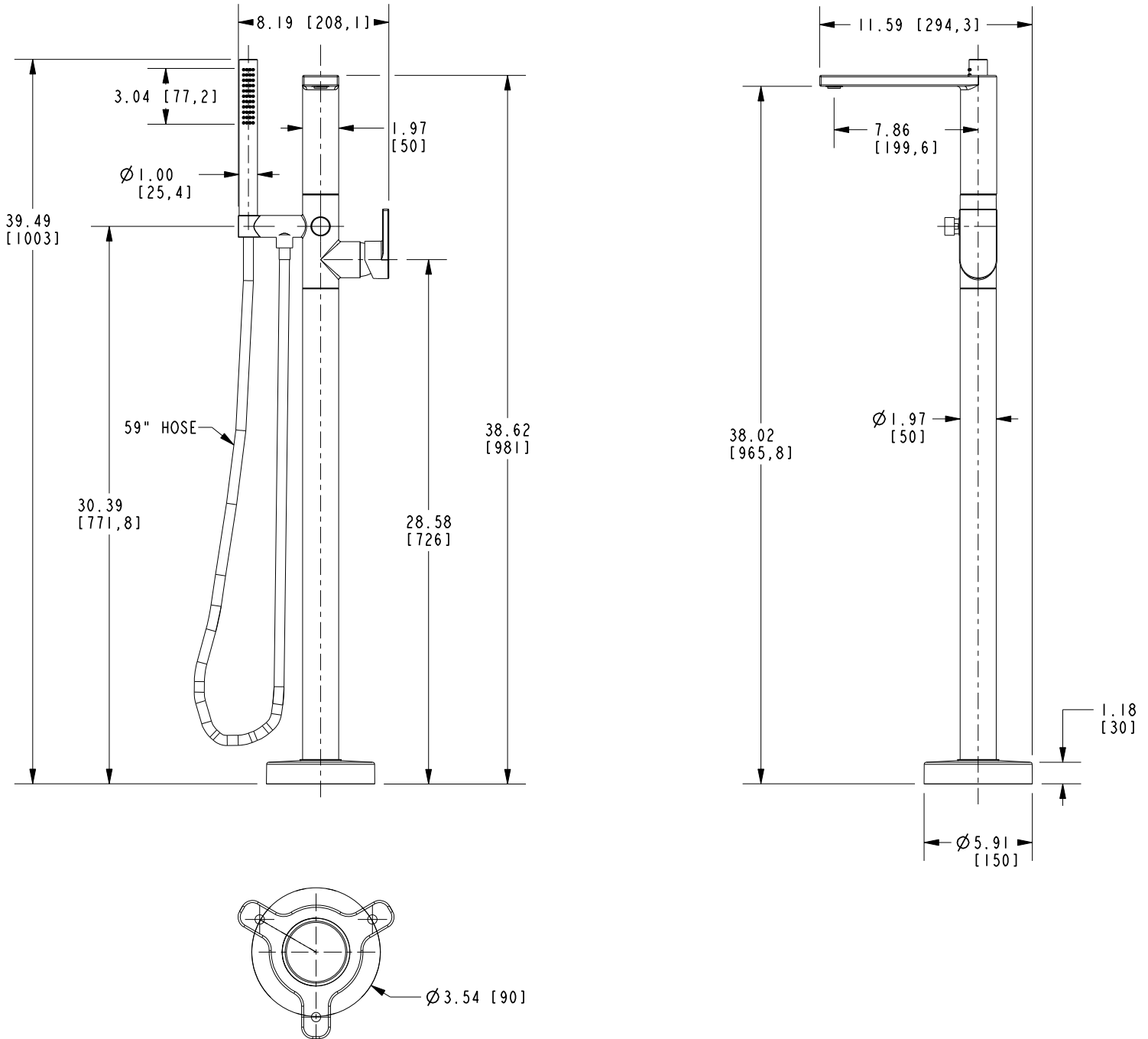
Product Specification: Add "Color / Finish" suffix to Model number, below.

The Freestanding Exposed Tub and Handshower Set shall be made of brass construction (with resin handshower). Freestanding Exposed Tub and Handshower Set shall incorporate a Euro-motion ceramic disc 40 mm valve cartridge with ADA compliant contemporary lever handle and pull-out diverter. Product shall be designed for floor-mounted configurations. Product shall have a 38.02" (96.6cm) tub spout height at outlet and 7.86" (19.9 cm) tub spout reach (center-center). Product shall feature a plated resin handshower having a contemporary design and a 1.8 gallons (6.7 liters) per minute maximum flow rate. Product shall include 3/4" braided hot and cold supply lines (with 1/2" adapters) and a floor mounting bracket with integral base and escutcheon. Freestanding Exposed Tub and Handshower Set shall be Newport Brass Model 2560-4261/____. [Optional Freestanding Tub Fill Rough Kit (Floor Mount) (3/4" NPT) shall be 1-339.]

2560-4261

PRODUCT DIMENSIONS *(Units are in inches)*

Product Dimensions are provided for reference only. For specific product installation guidelines, please reference the Installation Instructions of the product being installed.



Skylar Tub and Handshower Set 2560-4261

NEWPORT BRASS
Flawless Beauty. From Faucet to Finish.™