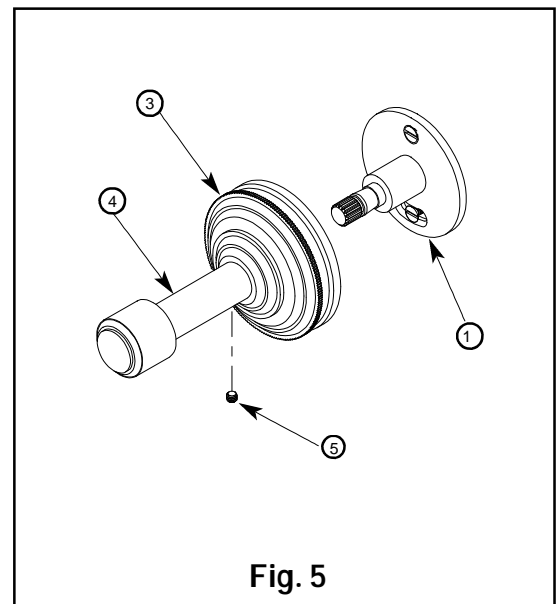
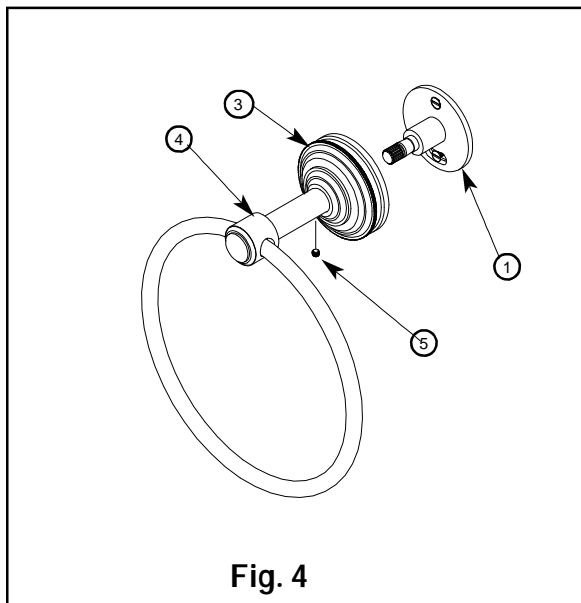
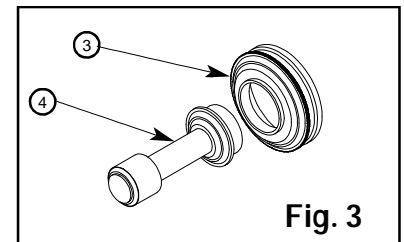
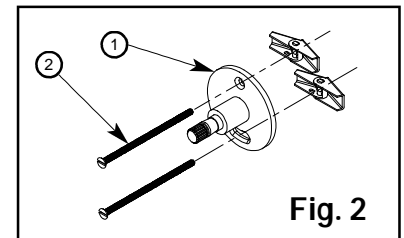
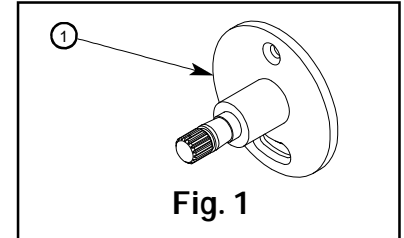


# Towel Ring / Garment Hook Installation Instructions Model No. 29-09, 29-12

Recommended Installation by a Professional Contractor

1. Hold the BASE (1) up to desired location and mark the hole locations on flange. (See Fig. 1)
2. Drill holes in wall at points marked using the appropriate drill size:
  - Wood Screw (#6 x 2") - use: 3/32" Drill
  - Toggle Screw (6-32 x 3") - use: 3/8" Drill
3. Fasten BASE (1) to wall using either WOOD/TOGGLE SCREWS (2). (See Fig. 2)
4. Place ESCUTCHEONS (3) onto the base of END POST (4). (See Fig. 3)
- 4a. **Towel Ring:** Slide END POST (4) onto BASE (1) and secure into place with SETSCREW (5). (See Fig. 4)
- 4b. **Garment Hook:** Slide END POST (4) onto BASE (1) and secure into place with SETSCREW (5). (See Fig. 5)



**NEWPORT BRASS.**  
The Luxury of Style