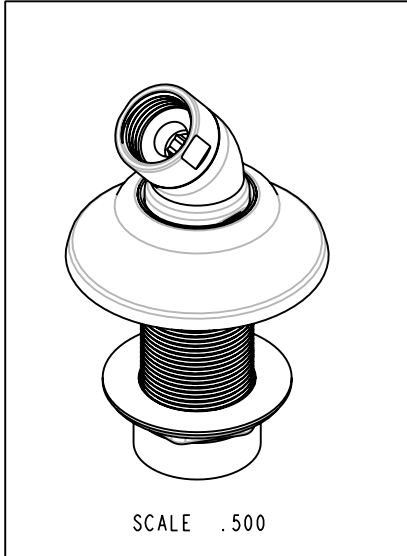
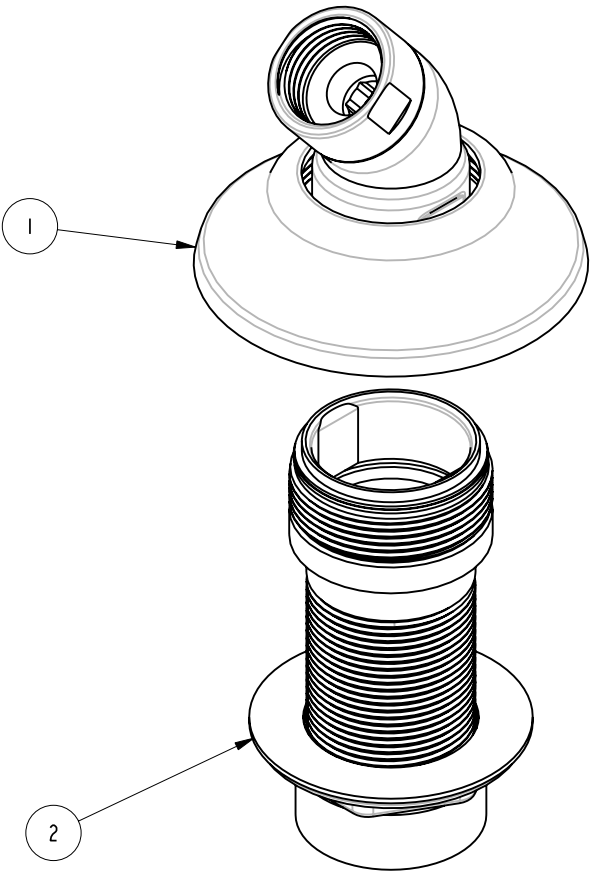


BILL OF MATERIAL (CURRENT LEVEL)				
ITEM	PT/ASSY	DESCRIPTION	TYPE	QTY.
1	6-289-3	DECK FLANGE TRIM	ASSEMBLY	1
2	5-011	MOUNTING HDW FOR DECK FLANGE	ASSEMBLY	1



COPYRIGHT 2005 BRASSTECH, INC. THESE DRAWINGS AND THE DESIGNS DEPICTED HEREIN ARE THE PROPRIETARY PROPERTY OF BRASSTECH. ANY USE OR REPRODUCTION IS SUBJECT TO THE EXPRESS APPROVAL OF BRASSTECH. UNAUTHORIZED USE IS STRICTLY PROHIBITED. ALL RIGHTS RESERVED.

BRASSTECH
INCORPORATED
2001 E. CARNEGIE AVE.
SANTA ANA, CA 92705
(949) 417-5207

DECK FLANGE KIT

ASSY. NO.	289-3			A	EO-0744A	5/21/07
SCALE	.750	REF.	-	-	EO-0744	7/14/06
SHEET		OF		REV	REV DESC	DATE