

4

3

2

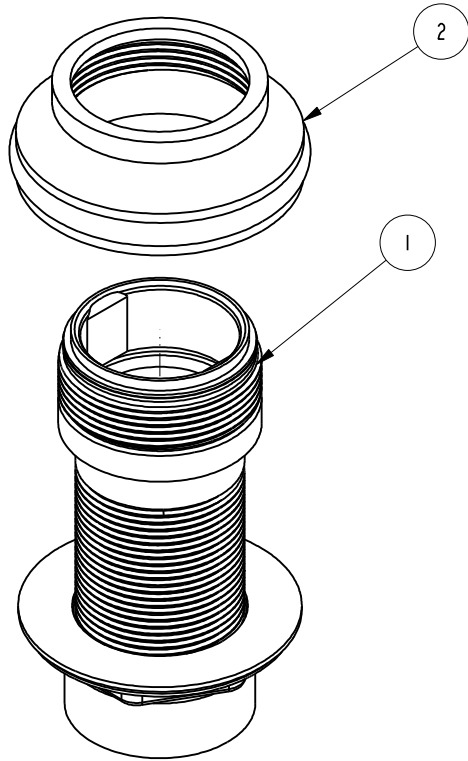
1

BILL OF MATERIAL (CURRENT LEVEL)

ITEM	PT/ASSY	DESCRIPTION	TYPE	QTY.
1	5-011	MOUNTING HDW FOR DECK FLANGE	ASSEMBLY	1
2	6-289-10	HAND SHOWER DECKFLANGE ASSEMBLY	ASSEMBLY	1

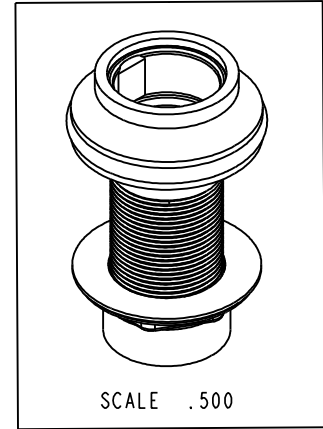
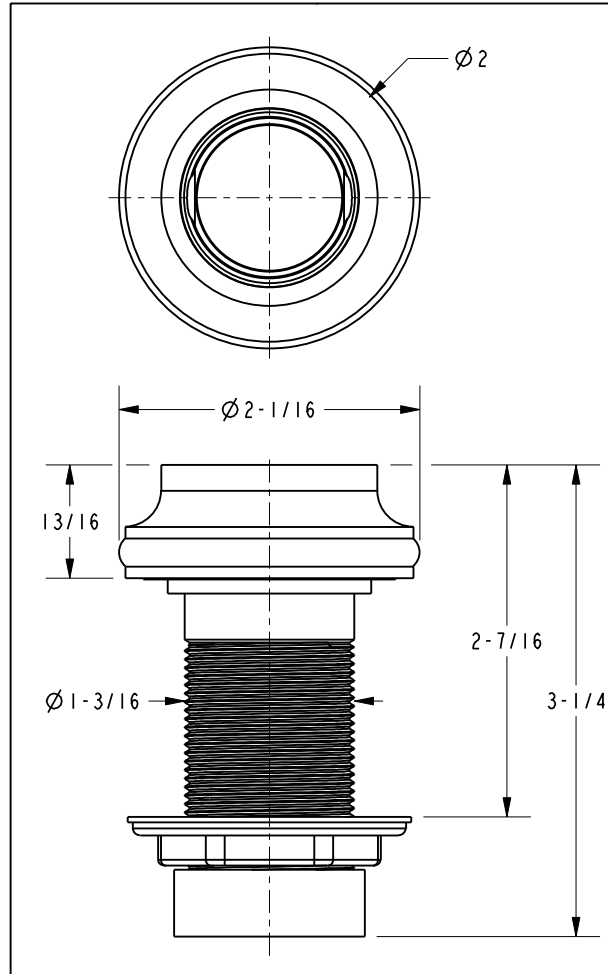
D

D



C

C



B

B

A

A

COPYRIGHT 2005 BRASSTECH, INC. THESE DRAWINGS AND THE DESIGNS DEPICTED HEREIN ARE THE PROPRIETARY PROPERTY OF BRASSTECH. ANY USE OR REPRODUCTION IS SUBJECT TO THE EXPRESS APPROVAL OF BRASSTECH. UNAUTHORIZED USE IS STRICTLY PROHIBITED. ALL RIGHTS RESERVED.

BRASSTECH
INCORPORATED

2001 E. CARNEGIE AVE.
SANTA ANA, CA 92705
(949) 417-5207

HANDSHOWER DECK FLANGE ASM

ASSY. NO.	289-10	-	-	-
SCALE	.750	REF.	-	-
SHEET	1	OF	1	REV
REV	EN-1735	REV	DESC	DATE
				06/10/11

4

3

2

1