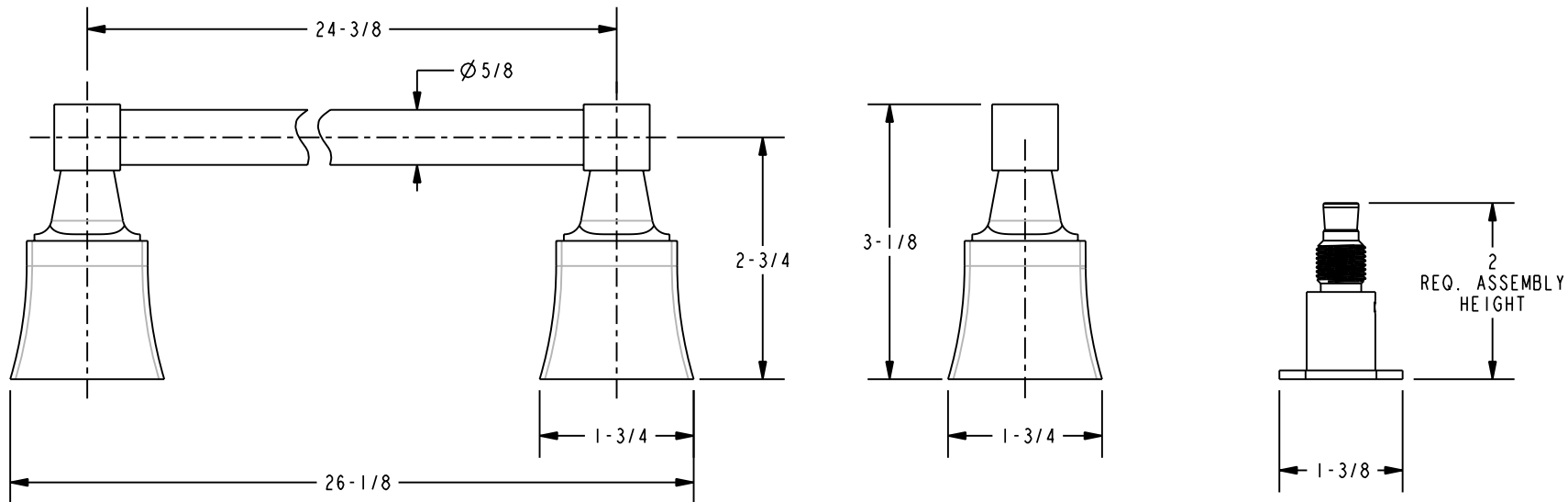


**SPECIFICATION DWG**



DIMENSIONS ARE IN INCHES AND AN APPROXIMATION OF A TYPICAL INSTALLATION

COPYRIGHT 2003 BRASSTECH, INC. THESE DRAWINGS AND THE DESIGNS DEPICTED HEREIN ARE THE PROPRIETARY PROPERTY OF BRASSTECH. ANY USE OR REPRODUCTION IS SUBJECT TO THE EXPRESS APPROVAL OF BRASSTECH. UNAUTHORIZED USE IS STRICTLY PROHIBITED. ALL RIGHTS RESERVED.

**BRASSTECH**  
INCORPORATED  
2001 E. CARNEGIE AVE.  
SANTA ANA, CA 92705  
(949) 417-5207

SINGLE TOWEL BAR 24"

ASSY. NO. **26-02\_SPEC**

SCALE 0.500

REF. -

SHEET 1 OF 1

|     |          |          |
|-----|----------|----------|
| B   | EO-0239  | 01/30/04 |
| A   | EO-0080  | 09/30/02 |
| -   | RELEASED | 03/13/02 |
| REV | REV DESC | DATE     |