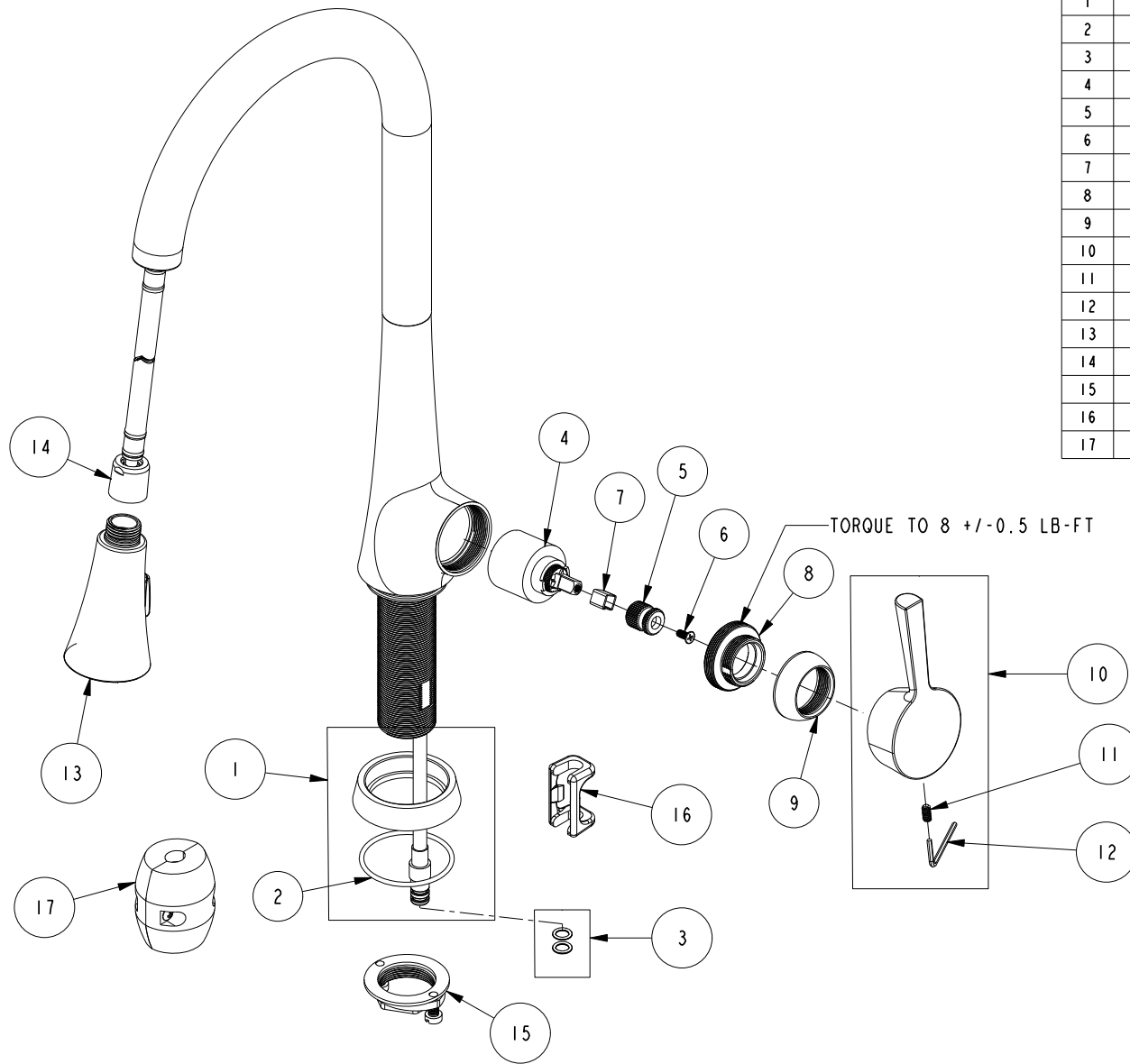


# REPLACEMENT PARTS

ITEM	PT/ASSY	SPECIFY FINISH	DESCRIPTION
1	2-784	YES	BASE RING ASM
2	91753		O-RING, # 2-136, EP, 50 DURO - GREY
3	1-399		O-RING KIT FOR SPOUT PEX CONECTION
4	1-064		SINGLE LEVER CARTRIDGE
5	11713		CARTRIDGE STEM ADAPTER
6	92035		SCRW, M4 X .7 X 10 PHL FLT HD SS
7	91534		CARTRIDGE STEM INSERT
8	11714		CARTRIDGE RETAINER
9	11715	YES	CARTRIDGE CAP
10	2-790	YES	HANDLE ASM
11	92025		SCRW, 10-24 X 3/8 SKT HD CUP PT SS
12	10159		HEX KEY, 3/32 ALLOY STEEL
13	3-463	YES	SPRAY HEAD, VESPERA
14	11877		HOSE, PULLDOWN SWIVEL
15	1-256		MOUNTING KIT
16	91568		RETAINER CLIP
17	1-286		WEIGHT ASM



VESPERA PULL DOWN - KITCHEN FAUCET  
2500-5123

REV L EN-4646 05/11/23 APPROVED RS

**NEWPORT BRASS.**

t: 949.417.5207 | www.newportbrass.com