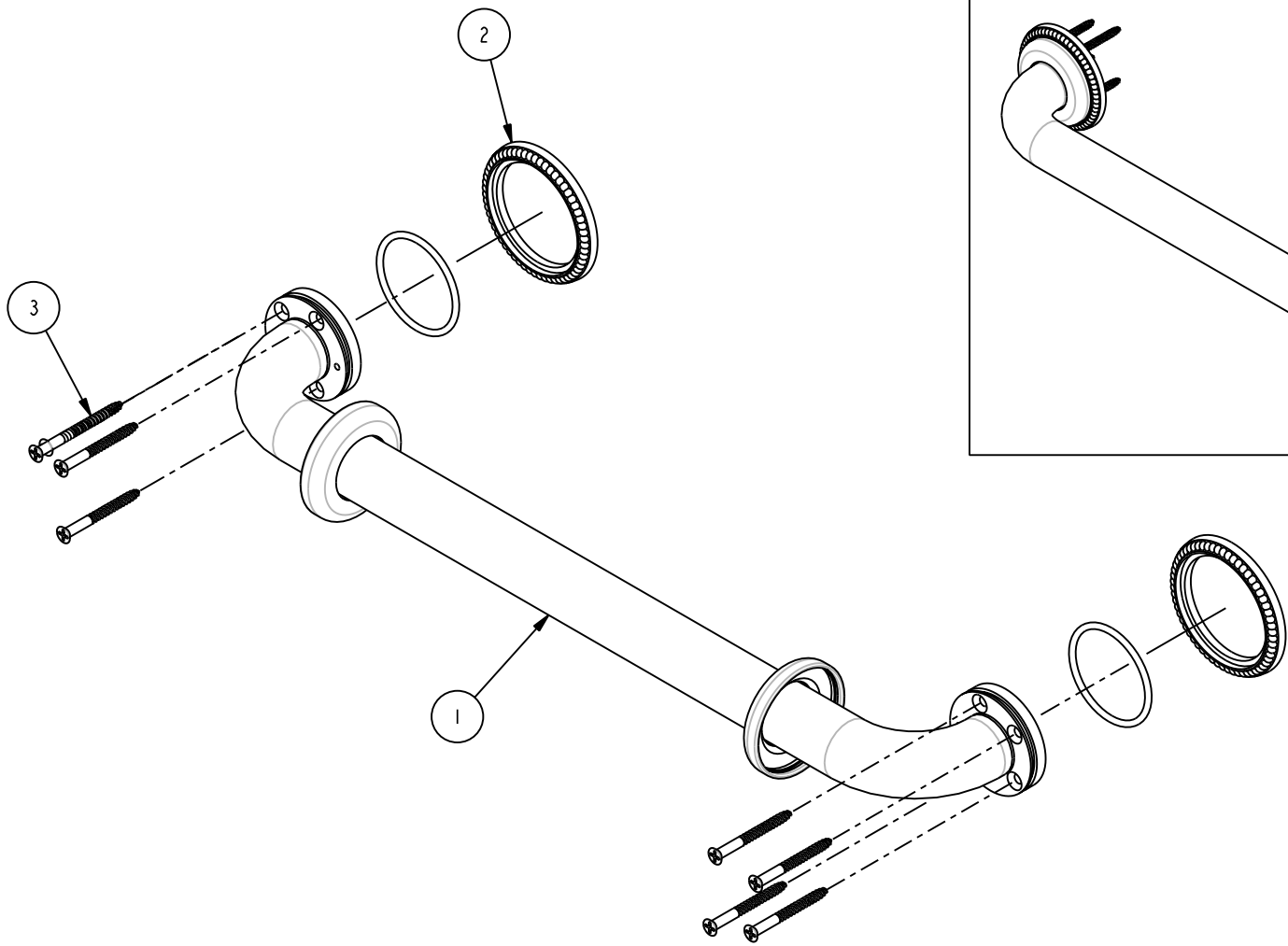


BILL OF MATERIAL (CURRENT LEVEL)				
ITEM	PT/ASSY	DESCRIPTION	TYPE	QTY.
1	7-533	18" GRAB BAR ASM	ASSEMBLY	1
2	10966	BEADED BASE RING	PART	2
3	7-009	HARDWARE KIT - GRAB BAR	ASSEMBLY	1

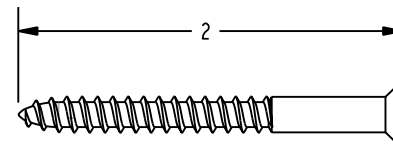
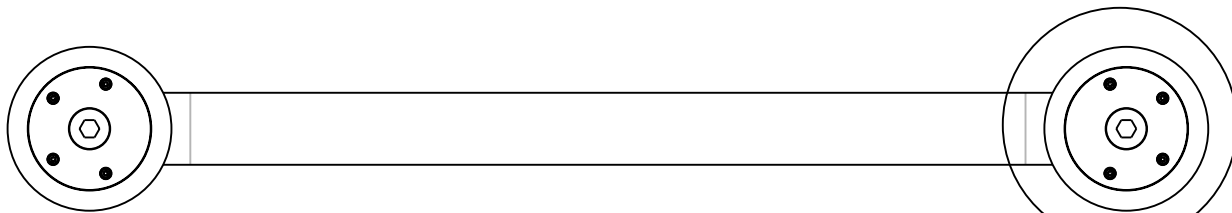


BRASSTECH 2001 E. CARNEGIE AVE
 INCORPORATED SANTA ANA, CA 92705
 (949) 417-5207

GRAB BAR 18" BEADED

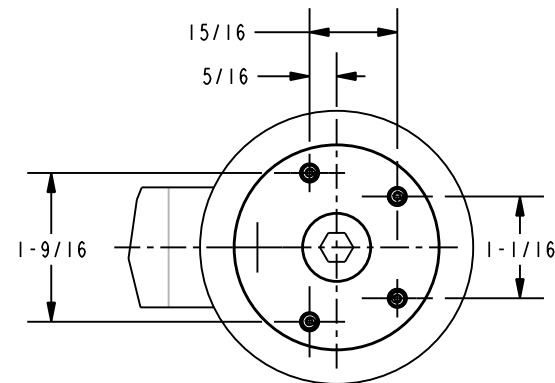
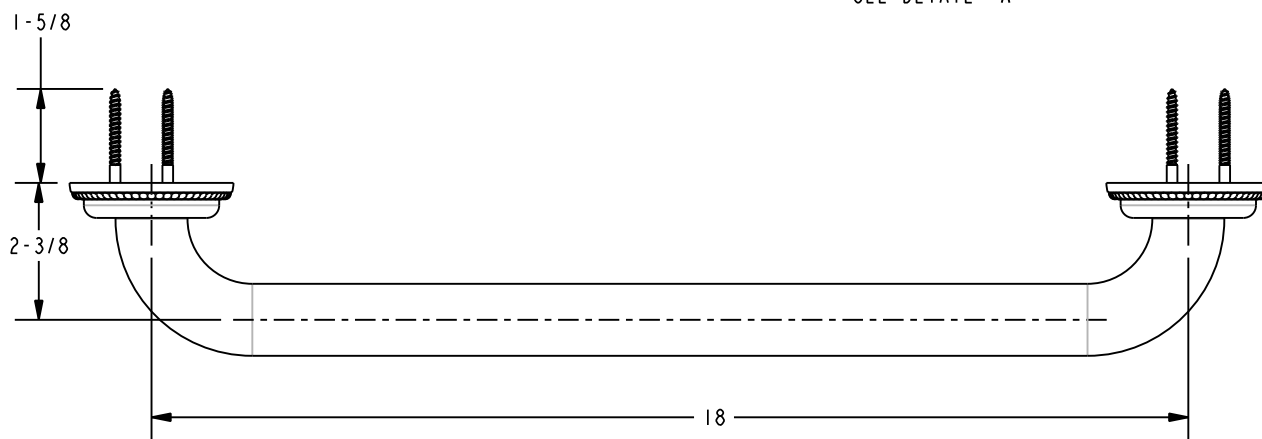
ASSY. NO.	22-37	-	RELEASED	08/05/02
SCALE 0.300	REF. -	SHEET 1	OF 1	COPYRIGHT ©
		REV	REV DESC	DATE

SPECIFICATION DWG

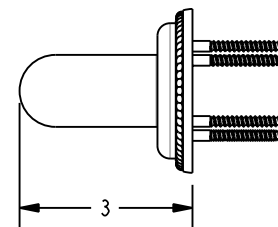
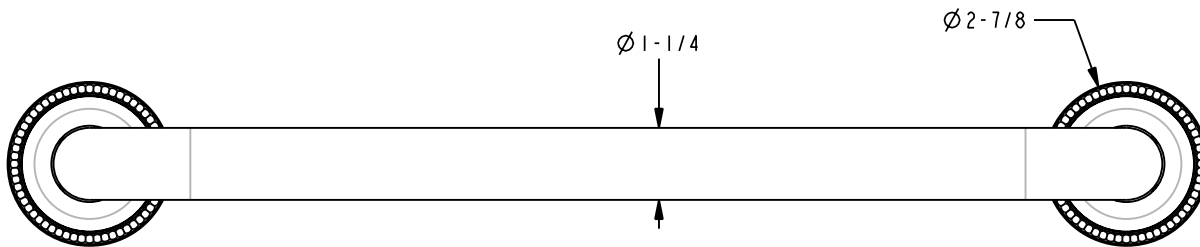


WOOD SCREW - #10 X 2"

SEE DETAIL A



DETAIL A
SCALE 0.500
WALL MOUNT



DIMENSIONS ARE IN INCHES AND AN APPROXIMATION OF A TYPICAL INSTALLATION

BRASSTECH 2001 E. CARNEGIE AVE.
INCORPORATED SANTA ANA, CA 92705
(949) 417-5207

GRAB BAR 18" BEADED

ASSY. NO. 22-37_SPEC

SCALE 0.300

REF. -

SHEET 1 OF 1

COPYRIGHT ©

-	RELEASED	07/30/02
REV	REV DESC	DATE