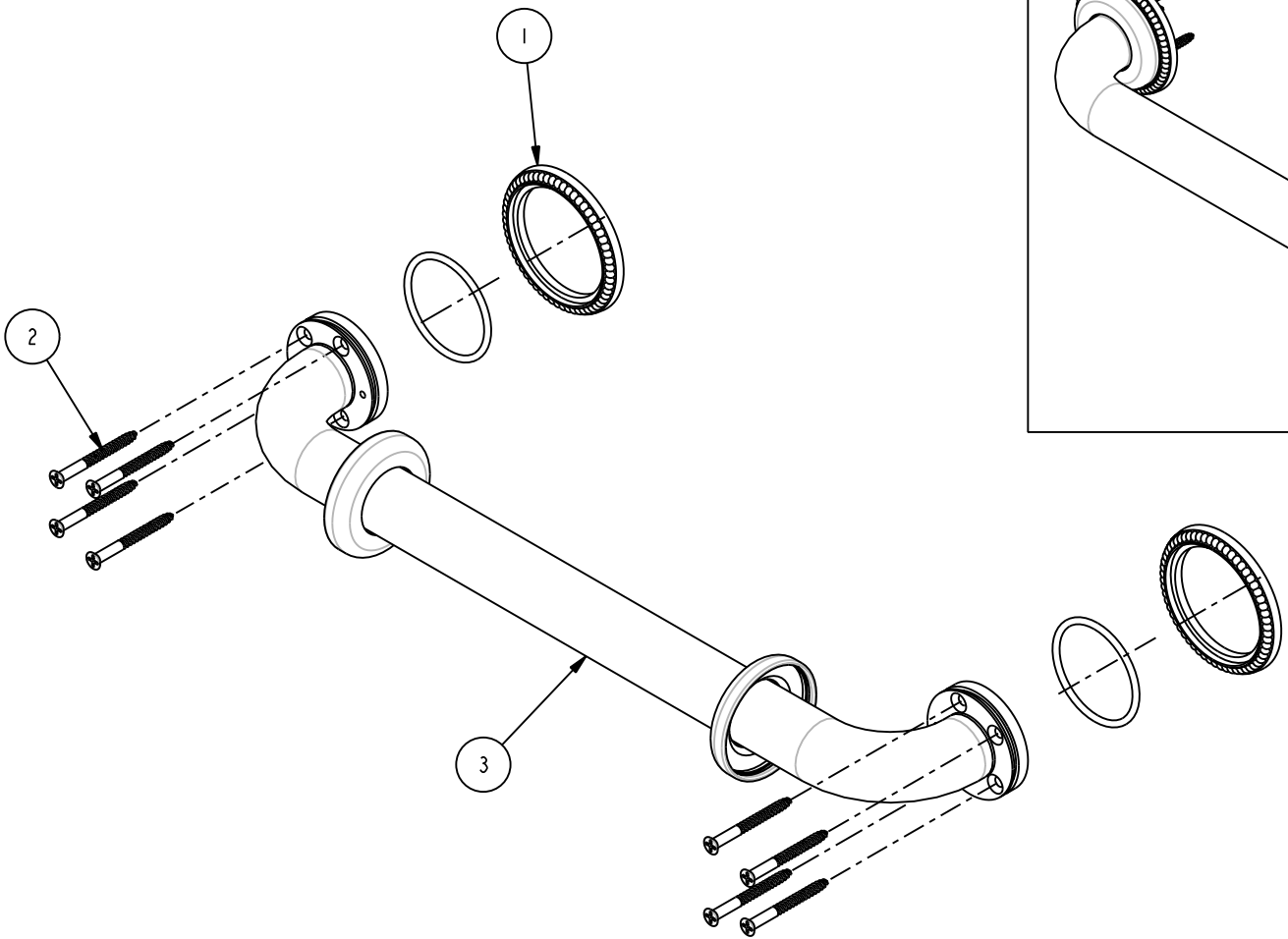


BILL OF MATERIAL (CURRENT LEVEL)				
ITEM	PT/ASSY	DESCRIPTION	TYPE	QTY.
1	10966	BEADED BASE RING	PART	2
2	7-009	HARDWARE KIT - GRAB BAR	ASSEMBLY	1
3	7-532	16" GRAB BAR ASM	ASSEMBLY	1

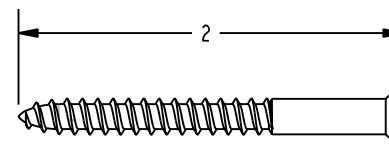
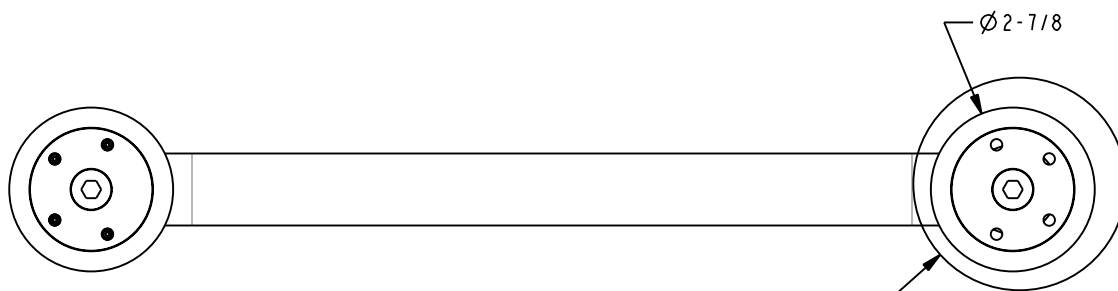


BRASSTECH 2001 E. CARNEGIE AVE
 INCORPORATED SANTA ANA, CA 92705
 (949) 417-5207

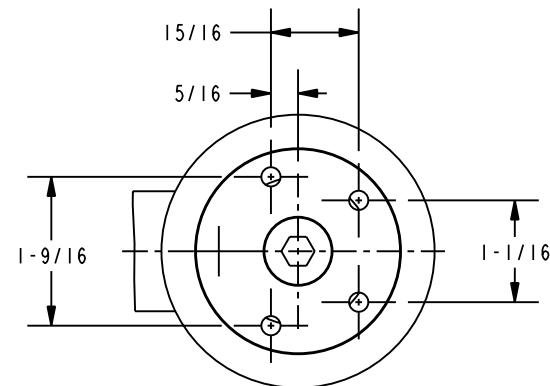
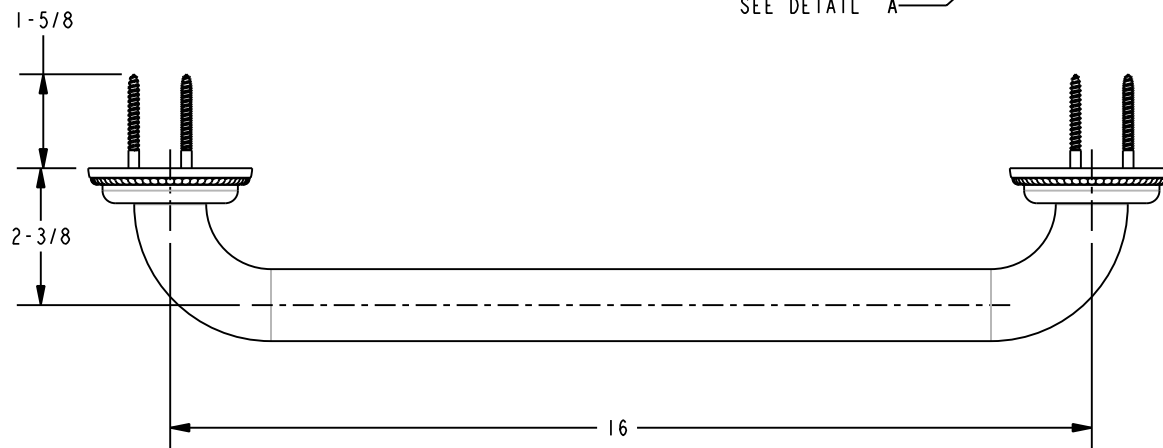
GRAB BAR 16" BEADED

ASSY. NO.	22-36	-	RELEASED	07/31/02
SCALE 0.300	REF. -	REV	REV DESC	DATE
SHEET 1 OF 1		COPYRIGHT ©		

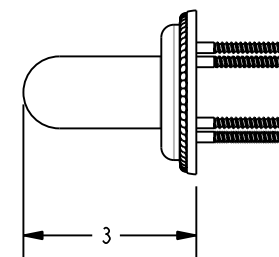
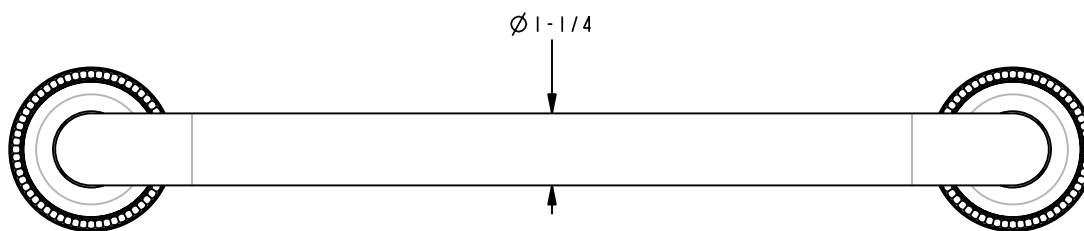
SPECIFICATION DWG



WOOD SCREW - #10 X 2"



DETAIL A
SCALE 0.500
WALL MOUNT



DIMENSIONS ARE IN INCHES AND AN APPROXIMATION OF A TYPICAL INSTALLATION

BRASSTECH 2001 E. CARNEGIE AVE.
INCORPORATED SANTA ANA, CA 92705
(949) 417-5207

GRAB BAR 16" BEADED

ASSY. NO. 22-36_SPEC

SCALE 0.300

REF. -

SHEET 1 OF 1

COPYRIGHT ©

-	RELEASED	07/31/02
REV	REV DESC	DATE