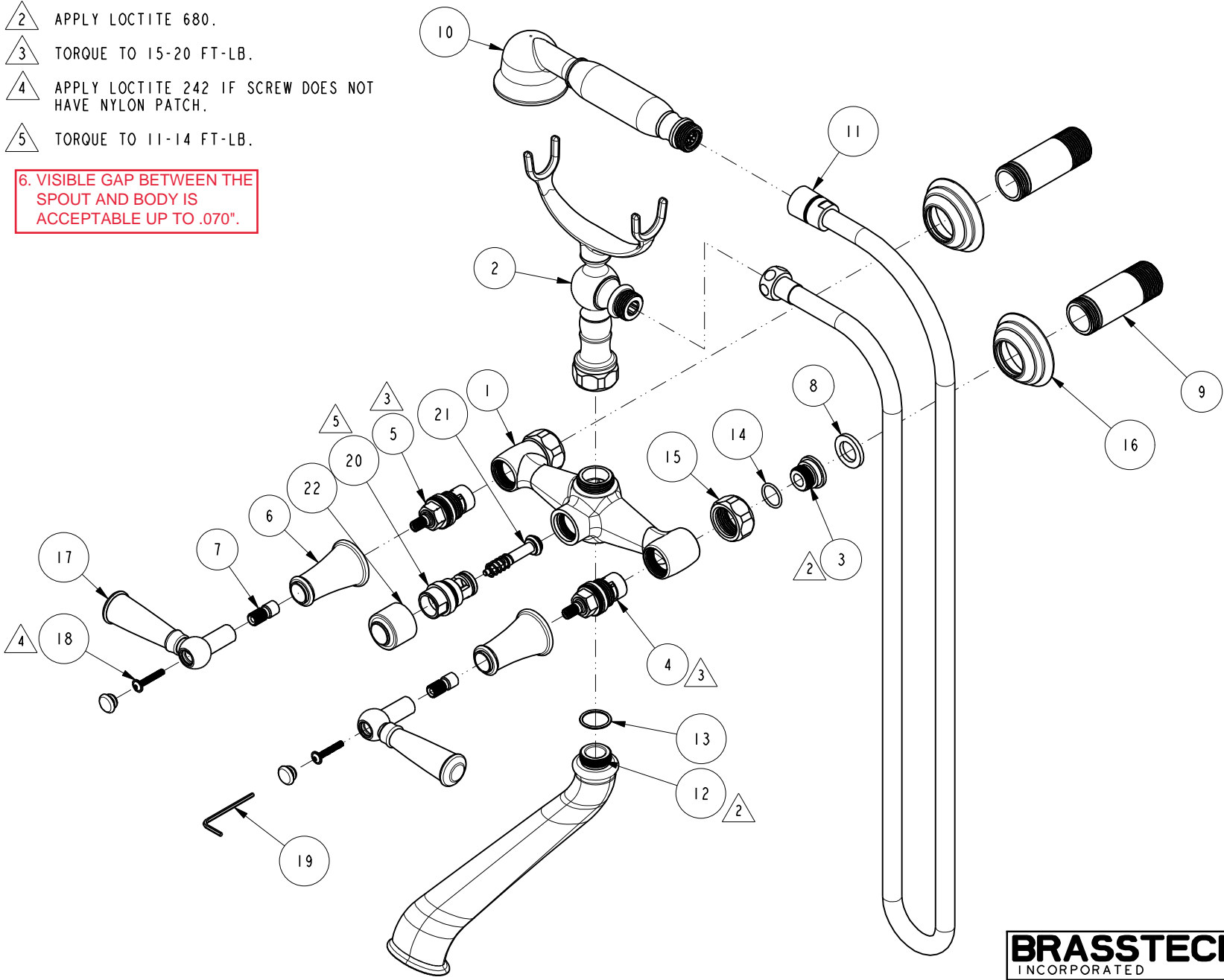


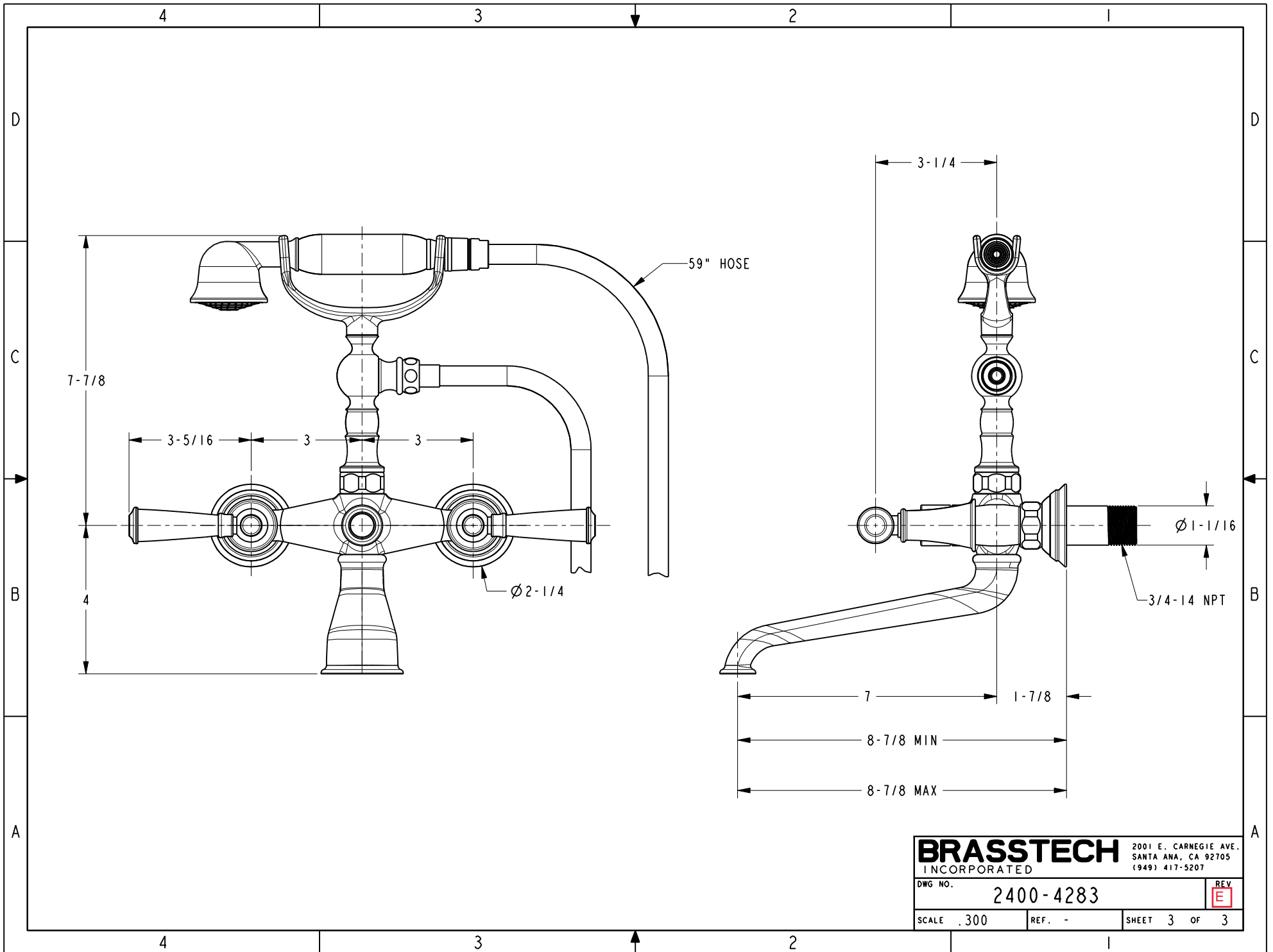


- △ 2 APPLY LOCTITE 680.
- △ 3 TORQUE TO 15-20 FT-LB.
- △ 4 APPLY LOCTITE 242 IF SCREW DOES NOT HAVE NYLON PATCH.
- △ 5 TORQUE TO 11-14 FT-LB.

6. VISIBLE GAP BETWEEN THE SPOUT AND BODY IS ACCEPTABLE UP TO .070".



<b>BRASSTECH</b>		2001 E. CARNEGIE AVE. SANTA ANA, CA 92705 (949) 417-5207	
DWG NO.	2400-4283	REV	E
SCALE	.250	REF.	-
		SHEET	2 OF 3



<b>BRASSTECH</b>		2001 E. CARNEGIE AVE. SANTA ANA, CA 92705 (949) 417-5207	
DWG NO.	2400-4283	REV	<b>E</b>
SCALE	.300	REF.	-
		SHEET	3 OF 3